

MSensor G3 PIR 16DPI WH

DALI-2 multi-sensor



Product description

- _ Sensor developed to work with the latest DALI specification
- _ Monitoring of ambient light and occupancy detection
- _ Remote control interface allowing infrared remote control interaction
- _ Individual adjustment of the parameters
- _ Power supply via DALI line
- _ Mounting ring and gasket included to reach IP65 protection
- _ Wide range of accessories allowing extended application range
- _ Double terminals for through wiring
- _ 5 years guarantee (conditions at www.tridonic.com)

Housing properties

- _ Casing: polycarbonate, white
- _ Type of protection up to IP65

Note

- _ Tridonic MSensor G3 family sensors are developed according to DALI Standard EN 62386-101 Ed.2, also known as DALI-2. To be able to use the sensor in such installation, an application controller is necessary.
- _ List of approved application controller can be found on our WEB page in "Downloads" in document "Application_controllers_MSensor_G3.pdf".

Website

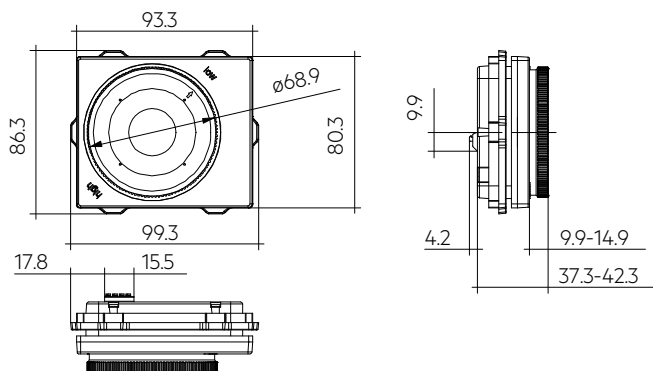
<http://www.tridonic.com/28002234>



MSensor G3 PIR 16DPI WH

DALI-2 multi-sensor

The complete data sheet for this product is available in the Downloads section.



Ordering data

Type	Article number	Suitable for	Packaging, carton	Weight per pc.
MSensor G3 SFI 30 PIR 16DPI WH	28002234	Luminaire installation	10 pc(s).	0.105 kg

Technical data

Supply via	DALI cable
Supply voltage ①	9.5 – 22.5 V
Current consumption (no LED)	≤ 8 mA
Current consumption (with LED)	≤ 9 mA
Supported operating modes	0 or 128 (default)
Mounting height ②	8 – 18 m
Adjustment range position "low"	8 – 12 m
Adjustment range position "high" ②	12 – 18 m
Mounting opening	70 x 83 mm
Housing thickness of the luminaire	0.75 – 4 mm
Detection angle for PIR detection angle "low"	72°
Detection angle for PIR detection angle "high"	60°
Detection angle for light measurement	13°
Detection range for light measurement ③	0.5 – 2,000 lx
Min. temperature difference between ambient temperature and detected object	± 4 °C
Ambient temperature ta	-20 ... +50 °C
tc point	60 °C
Storage temperature ts	-25 ... +60 °C
Dimensions L x W x H	99.3 x 86.3 x 46.5 mm
Housing material body	PC polycarbonate
Housing material lens	PE polyethylene
Housing colour body	White (similar to RAL 9016)
Housing colour lens	White
Type of installation	Luminaire installation
Type of protection ④	Up to IP65
Guarantee	5 Year(s)

Approval marks



Standards

EN 61347-2-11, EN 55015, EN 61000-3-2, EN 61000-3-3, EN 61547, EN 62386-101 (DALI-2), EN 62386-103, EN 62386-301, EN 62386-303, EN 62386-304

① Uin acc. IEC 62386-101.

② For mounting height higher than 16 m it is recommended to use several sensors grouped together in one occupancy group. As the sensitivity for the detection diameter can not be guaranteed for high over 16 m.

- ③ The measured value at the sensor head corresponds to approx. 3 to 6,300 lux on the surface measured.
- ④ Depending on the installation type up to IP 65 for more details see data sheet chapter 3.1.