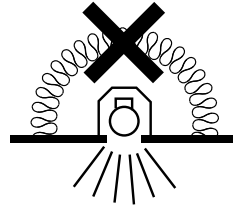


LED PANEL LIGHT

WARNING:

1. Ensure that any installation and maintenance is performed by a qualified electrician and that luminaire is wired in accordance to the latest IEE electrical regulations or the local equipments.
2. Ensure that the power supply is off before installation and maintenance and not switched on until the installation or maintenance is completed.
3. The light source contained in this luminaire shall only be replaced by the manufacturer or his service agent or a similar qualified person.

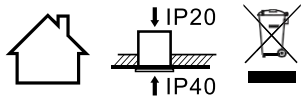
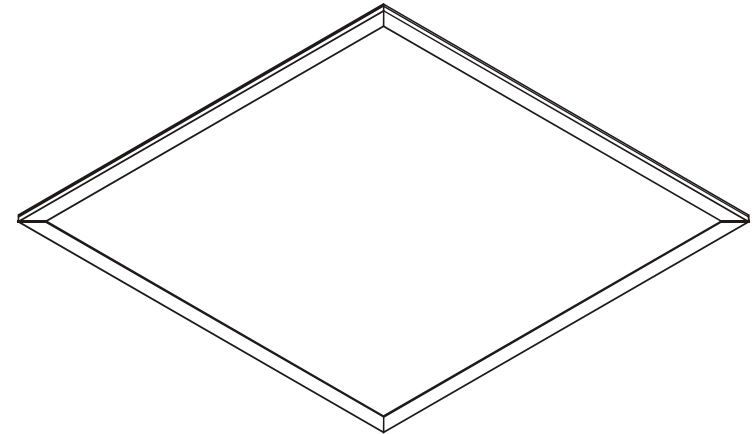


The luminaire cannot be covered with thermal insulation matting or similar materials.



Caution: Risk of electric shock.

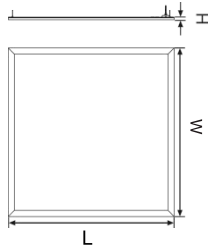
4. Do not apply force to the surface of the luminaire during installation.
5. If the external flexible cord of this luminaire is damaged, it shall be exclusively replaced by the manufacturer or his service agent or a similar qualified person in order to avoid a hazard.



Tridonic GmbH & Co KG
Faerbergasse 15
6851 Dornbirn / Austria

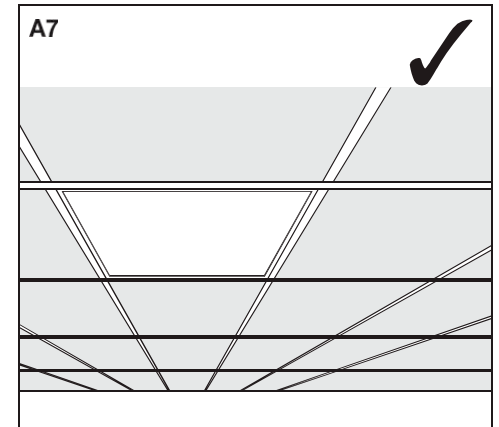
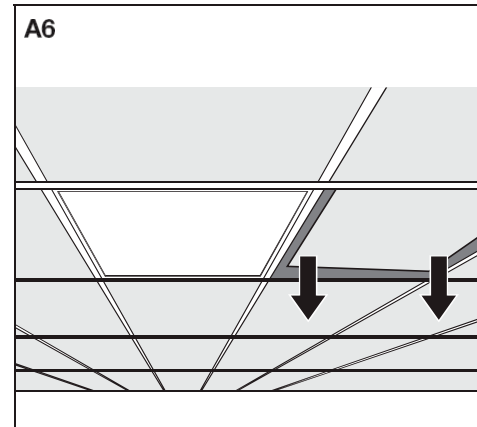
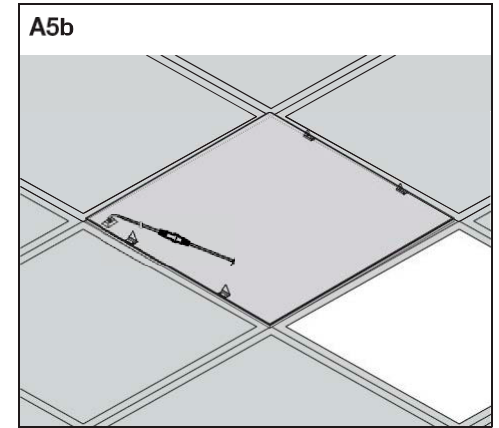
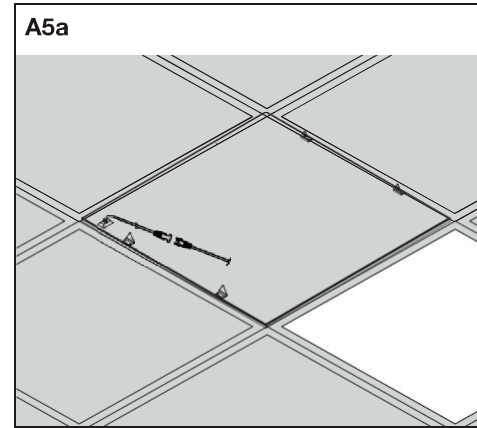
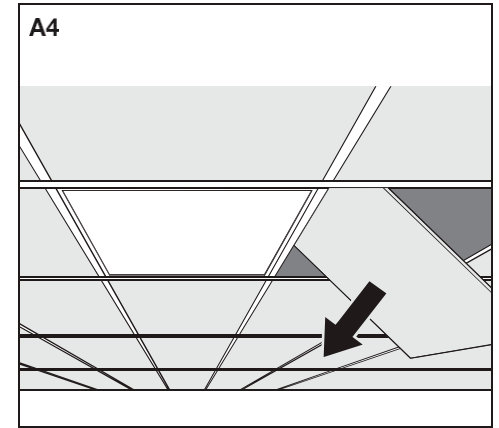
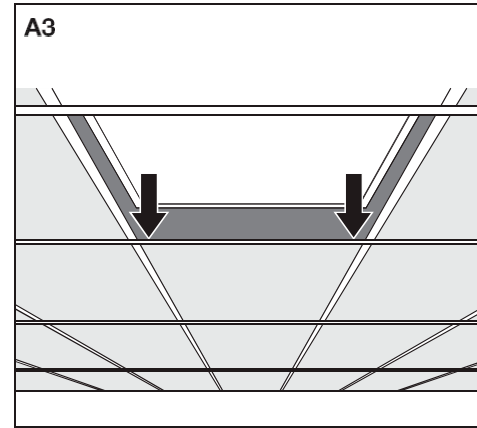
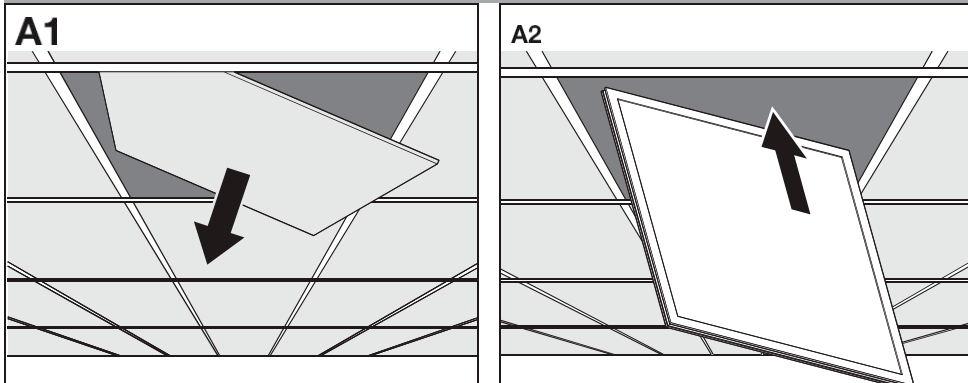
- Please read instruction carefully before assembling and installation.
- Please keep instruction as reference in the future.

TRIDONIC



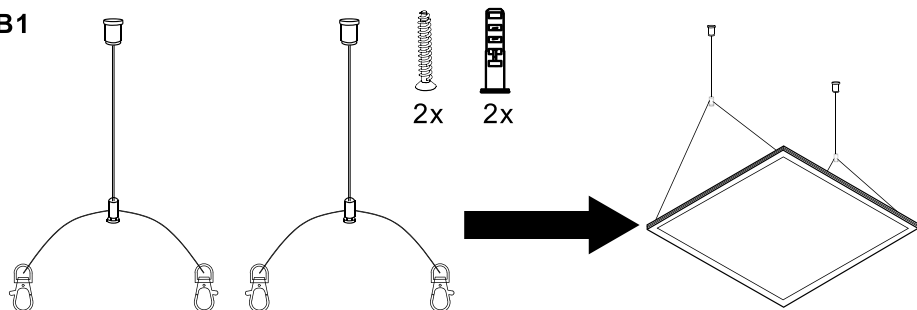
Tridonic article number	Material Description (short text)	Vrated	LxWxH (mm)
28005388	ELA 600x600mm 3800lm 830 ADV2 M3	39VDC	595x595x8.5
28005389	ELA 600x600mm 3800lm 840 ADV2 M3		
28005390	ELA 600x600mm 3800lm 865 ADV2 M3		
28005391	ELA 625x625mm 3800lm 830 ADV2 M3		620x620x8.5
28005392	ELA 625x625mm 3800lm 840 ADV2 M3		
28005393	ELA 1200x300mm 3800lm 830 ADV2 M3		1195x295x8.5
28005394	ELA 1200x300mm 3800lm 840 ADV2 M3		
28005395	ELA 1200x300mm 3800lm 865 ADV2 M3		
28005396	ELA 600x600mm 3800lm 827-865 ADV2 M3	35VDC	595x595x8.5
28006665	ELA 600x600mm 3800lm 827-865 ADV2 TPA M3	39VDC	
28005397	ELA 600x600mm 3800lm 830 ADV2 TPA M3		
28005398	ELA 600x600mm 3800lm 840 ADV2 TPA M3		

Recessed mount



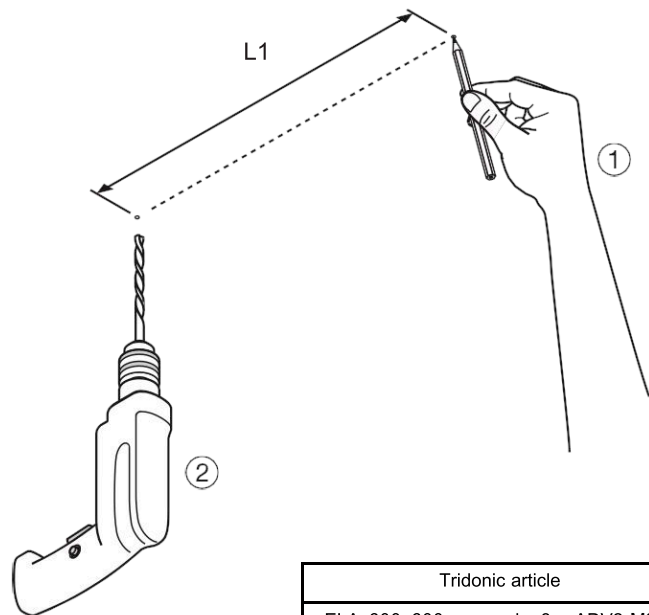
Suspension mount

B1



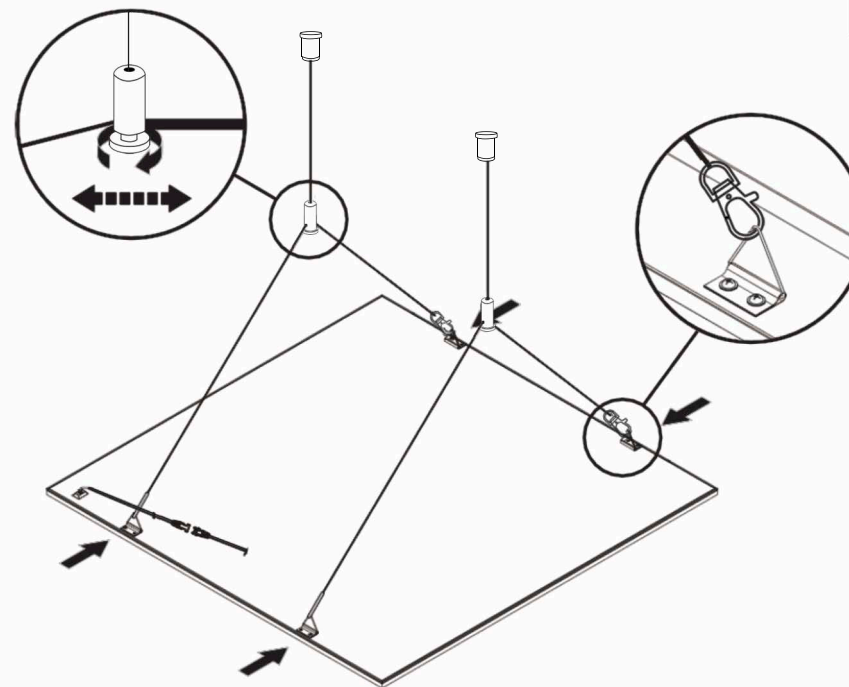
28003292 ACE Suspension kit 1200x300mm STL SI
28003374 ACE Suspension kit 600-625mm STL SI G2

B2

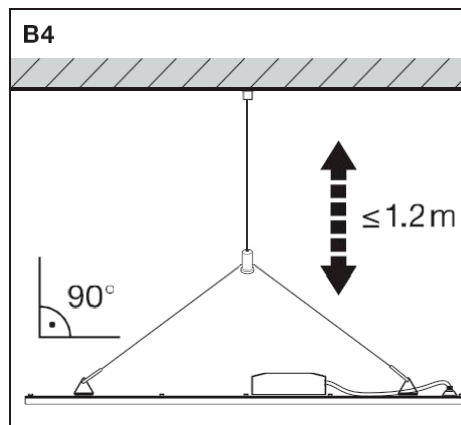


Tridonic article	L1(mm)
ELA 600x600mm xxxl 8xx ADV2 M3	501
ELA 620x620mm xxxl 8xx ADV2 M3	526
ELA 1200x300mm xxxl 8xx ADV2 M3	695
ELA 600x600mm xxxl 8xx ADV2 TPA M3	501

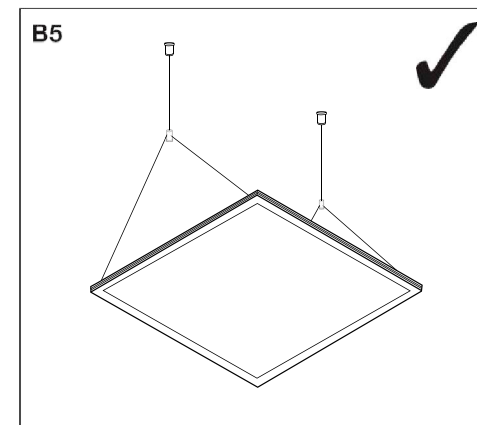
B3



B4

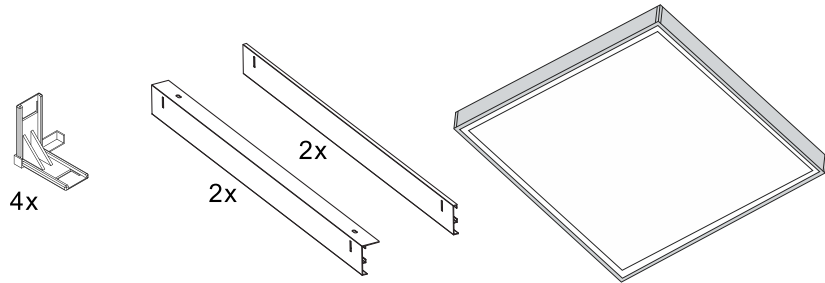


B5



Surface mount 6060/6262

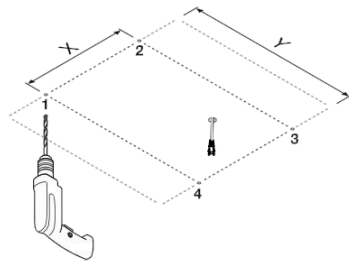
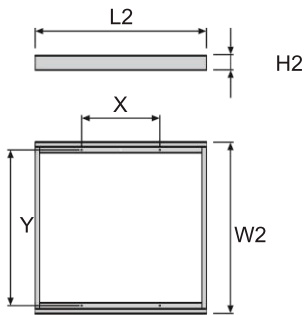
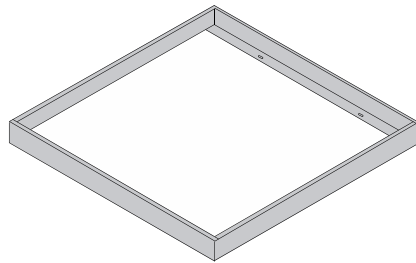
C



28003372 ACE Surface mount kit 600mm AL WH G2
 28003373 ACE Surface mount kit 625mm AL WH G2

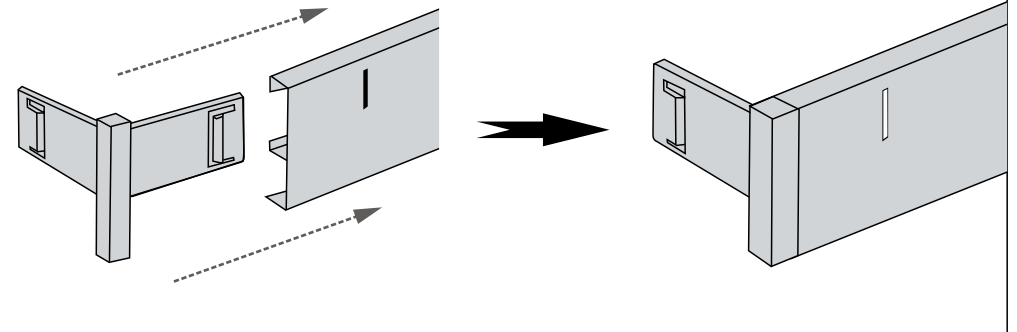


Not included!

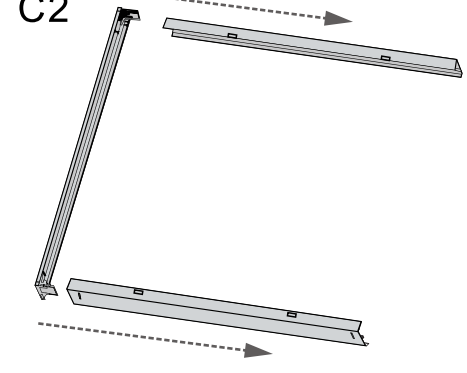


Tridonic article	L2xW2xH2(mm)	X(mm)	Y(mm)
ELA 600x600mm xxxl m 8xx ADV2 M3	601x601x43	386	586
ELA 620x620mm xxxl m 8xx ADV2 M3	626x626x43	411	611
ELA 600x600mm xxxl m 8xx ADV2 TPA M3	601x601x43	386	586

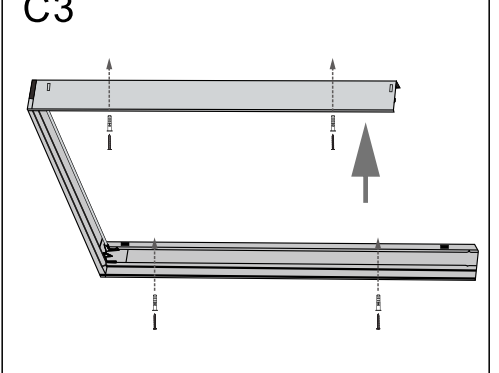
C1



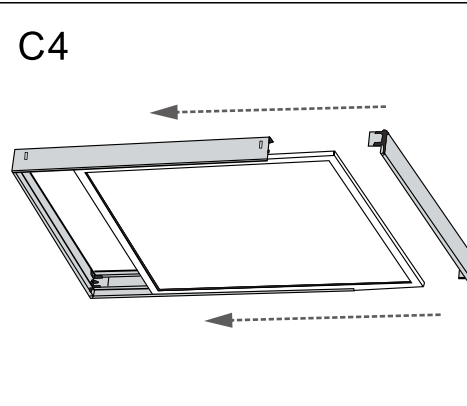
C2



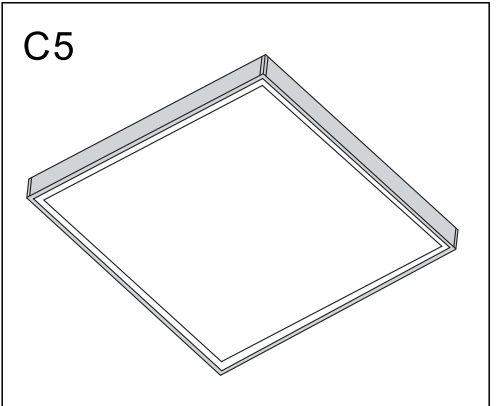
C3



C4

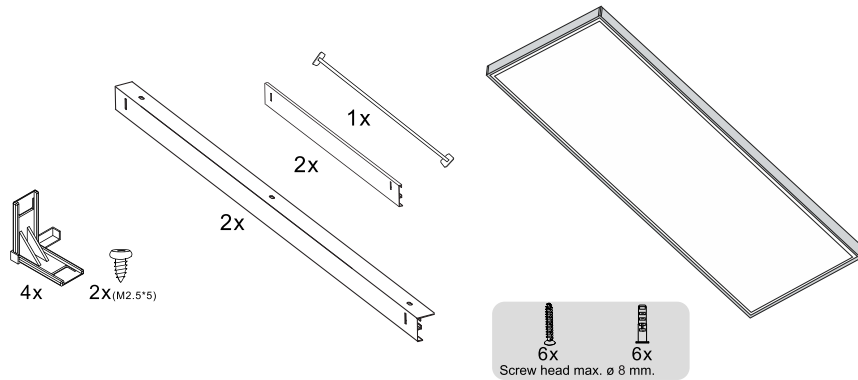


C5



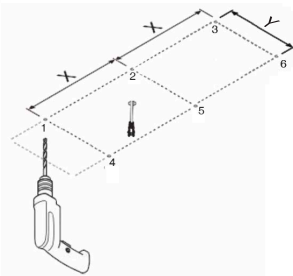
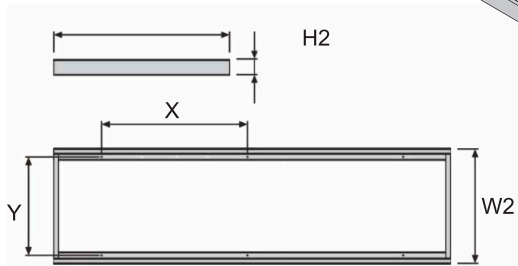
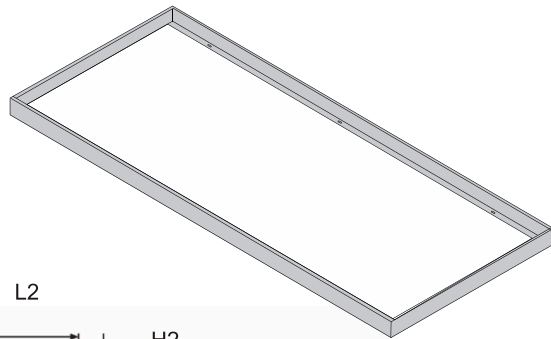
Surface mount 30120

C

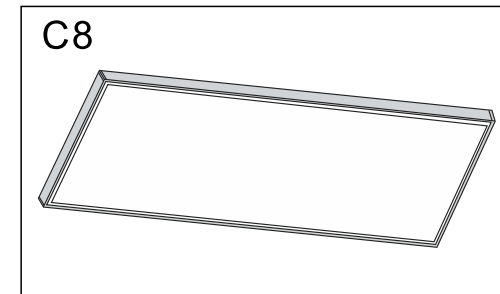
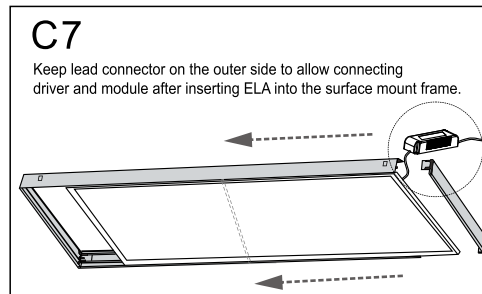
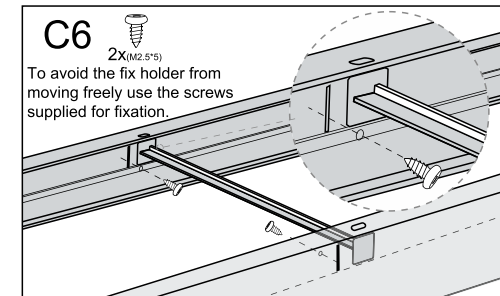
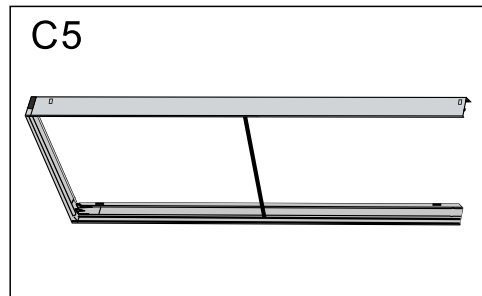
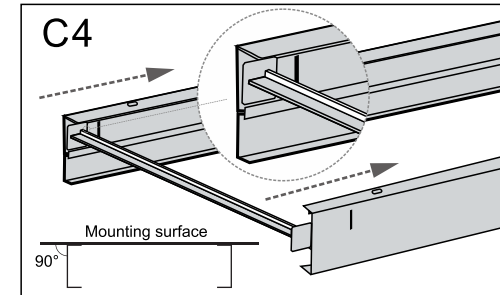
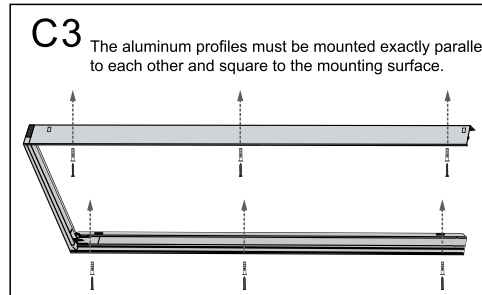
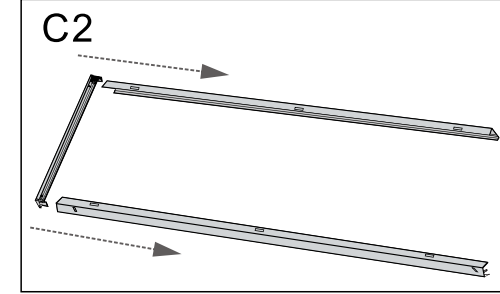
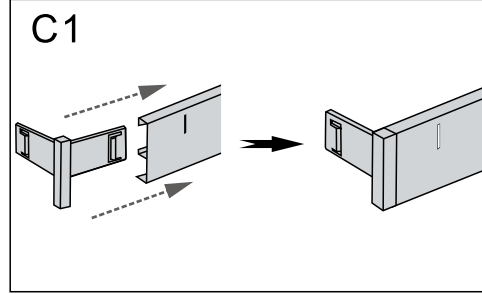


28003291 ACE Surface mount kit 1200x300 mm AL WH

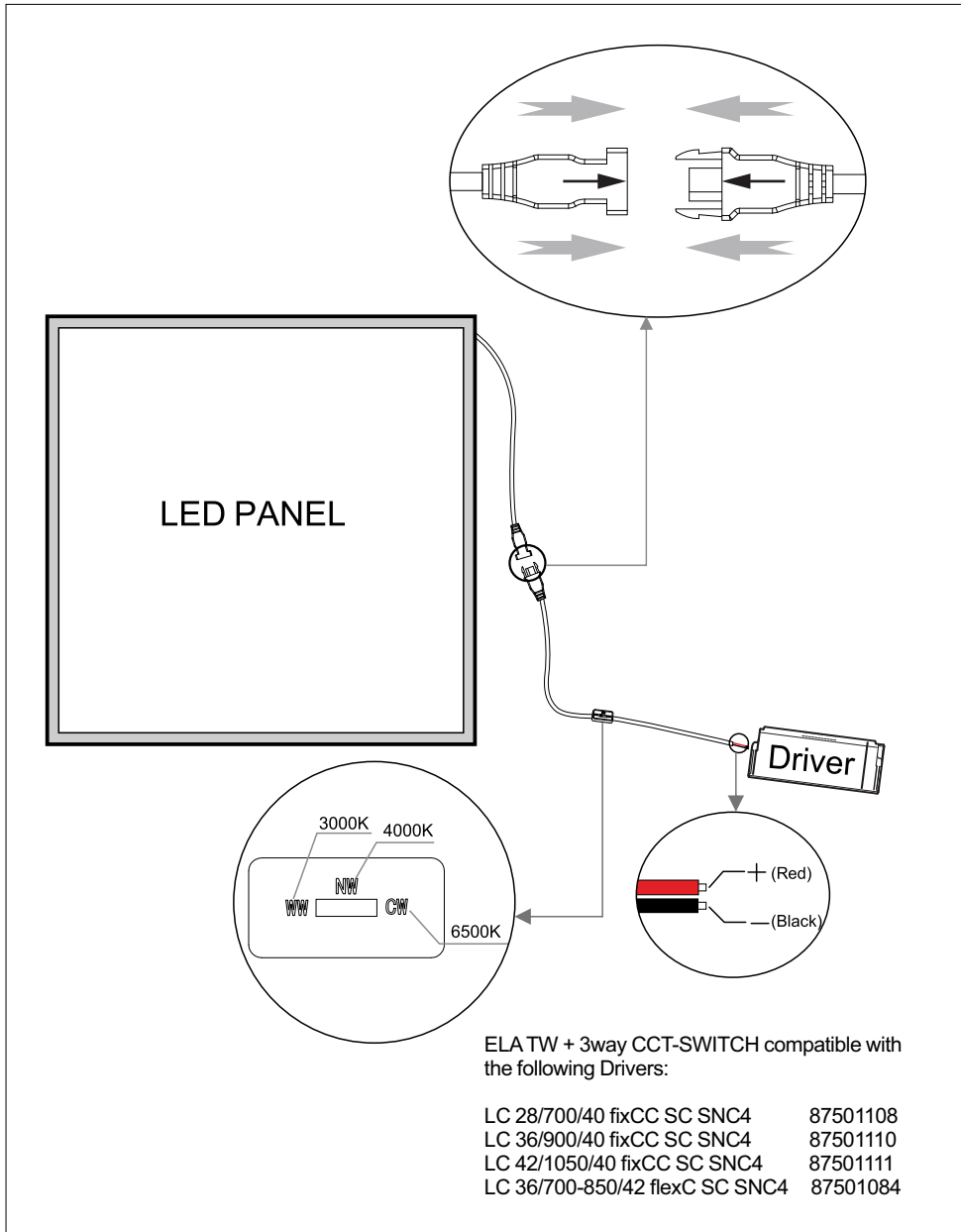
Not included!



Tridonic article	L2xW2xH2(mm)	X(mm)	Y(mm)
ELA 1200x300mm xxxlm 8xx ADV2 M3	1201x301x43	493	286



3way CCT- SWITCH



2 Channel Dimming Driver

