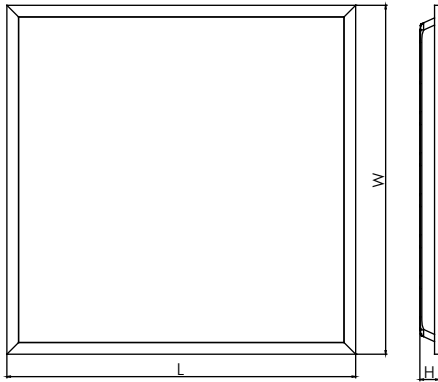
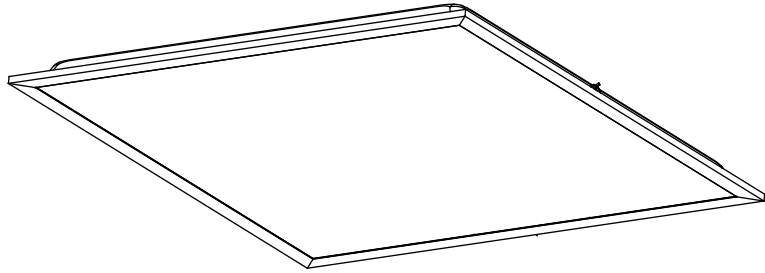
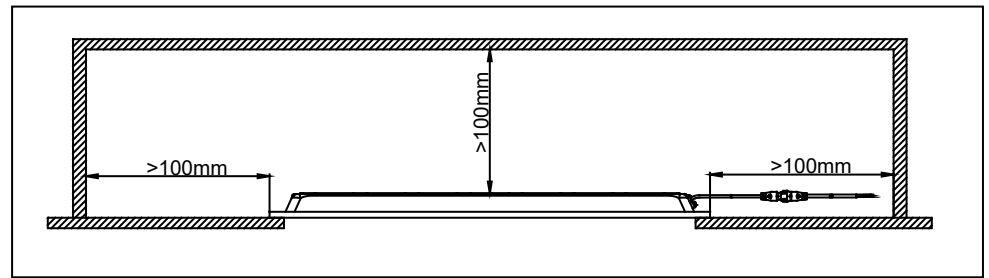
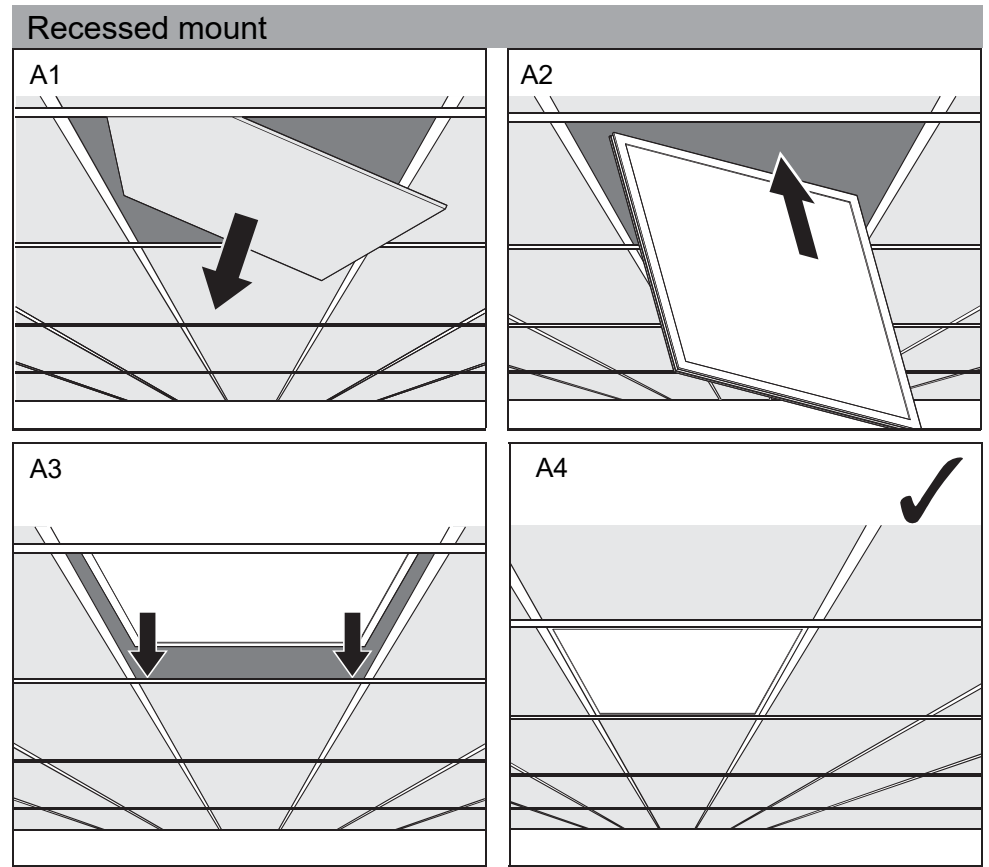


LED PANEL LIGHT



Tridonic article number	Material Description (short text)	Rated (mA)	Input voltage (Vdc)	Power (W)	L×W×H (mm)	Weight (g)
28005400	BLA 600x600mm 3800lm 830 SNC3	900	35.6	32	595×595×33	1300
		or	or	or		
28005401	BLA 600x600mm 3800lm 840 SNC3	800	34.8	27.8		
		or	or	or		
28005402	BLA 600x600mm 3800lm 865 SNC3	700	34.2	24		
28005403	BLA 1200x300mm 3800lm 830 SNC3	900	35.6	32	1195×295×33	1400
		or	or	or		
28005404	BLA 1200x300mm 3800lm 840 SNC3	800	34.8	27.8		
		or	or	or		
28005405	BLA 1200x300mm 3800lm 865 SNC3	700	34.2	24		
28005406	BLA 1200x600mm 7000lm 830 SNC3	1600	34.8	55.6	1195×595×35	3200
		or	or	or		
28005407	BLA 1200x600mm 7000lm 840 SNC3	1500	34.5	51.8		
		or	or	or		
28005408	BLA 1200x600mm 7000lm 865 SNC3	1400	34.2	48		

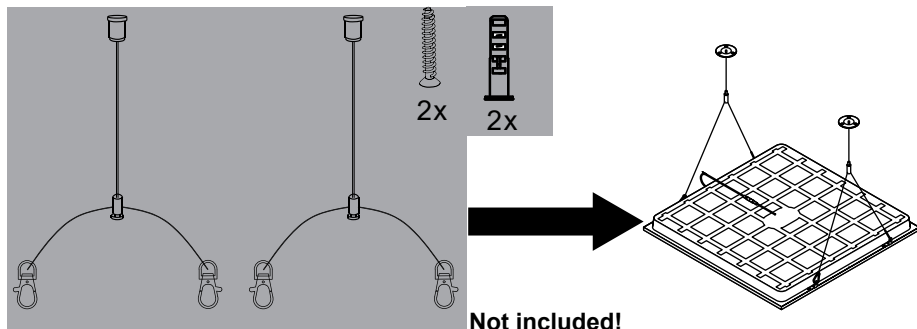


- Please read instruction carefully before assembling and installation.
- Please keep instruction as reference in the future.

TRIDONIC

Suspension mount

B1

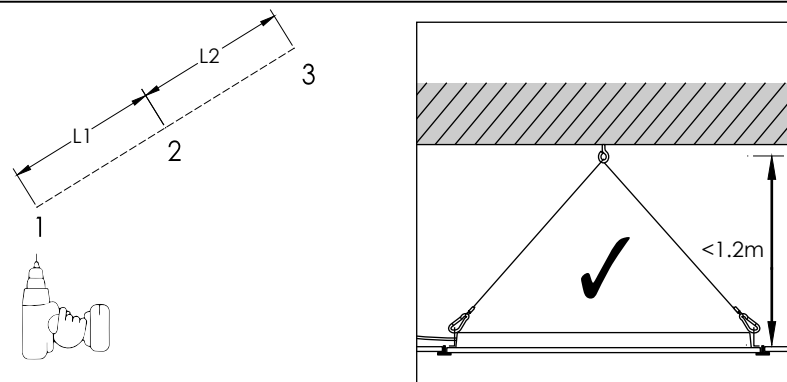


Warning:

1. Don't Directly put driver on back of luminaire ;
2. The suspension accessories can be steel wire or steel chain, the diameter should at least 1.5mm;
3. The suspension accessories can withstand 5 times weight of luminaire.

Tridonic accessories (Optional)

Item	Article No.	Description	Remark
1	28003374	ACE SUSPENSION KIT 600-625mm STL SI G2	For BLA 600×600 and BLA 1200×600
2	28003292	ACE SUSPENSION KIT 1200x300mm STL SI	For BLA 1200×300



Tridonic article	L1(mm)	L2(mm)
BLA 600×600 3800lm 8xx SNC3	347	/
BLA 1200×300 3800lm 8xx SNC3	452	472
BLA 1200×600 7000lm 8xx SNC3	452	472

Driver List

Luminaires have to be compatible with the following Tridonic drivers series.

Detailed Information find on the Tridonic homepage:

600x600;300x1200mm

1.87501090 LC 42/900-1050/42 flexC SR SNC4

2.87501089 LC 36/700-850/42 flexC SR SNC4

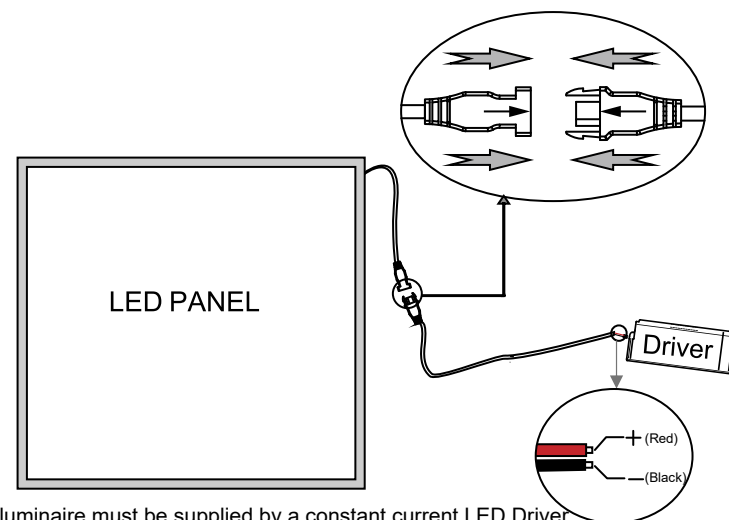
600X1200mm

1.28002498 LC 60W 1050/1200/1400mA flexC SR ADV

2.87500777 LC 60/1400/43 fixC SR SNC2

3.28000702 LC 60W 900-1750mA flexC SR EXC

Wire connection



BLA luminaire must be supplied by a constant current LED Driver.

Operation with a constant voltage LED Driver will lead to an irreversible damage of the luminaire. Wrong polarity can damage the BLA luminaire.

WARNING:

1. Ensure that any installation and maintenance is performed by a qualified electrician and that luminaire is wired in accordance to the latest IEE electrical regulations or the local equipments.
2. The driver needs to comply with a SELV and Uout< 60Vdc output with EN 63134-2-13 standard for EU market or with AS/NZS 61347-2-13 for AU market.
3. Ensure that the power supply is off before installation and maintenance and not switched on until the installation or maintenance is completed.
4. The light source of this luminaire is not replaceable, when the light source reaches its end of life the whole luminaire shall be replaced.
5. Do not apply force to the surface of the luminaire during installation.
6. The external flexible cable or cord of this luminaire cannot be replaced; if the cord is damaged, the luminaire shall be destroyed.
7. This luminaire is not suitable for installation in locations where thermal insulation is present, or may reasonably be expected to be installed in the future, or where there is a likelihood of other combustible material, e.g. leaves of vermin debris, etc. collecting on or around the luminaire. It is not suitable for domestic installations or installation in residential areas of non-domestic installations (residential institutions, hotels, boarding houses, hospitals, accommodation houses, motels, hostels and the like).

	Class III luminaire
	Luminaires not suitable for covering with thermally insulating material
	Within the EU, this symbol indicates that this product may not be disposed of with household waste. Devices contain valuable recyclable materials for recycling should be sorted and to the environment or human health from uncontrolled waste disposal. Please dispose of old appliances using appropriate collection system or send the unit for disposal at the place where you bought it. This will then make the device of recycling.



IP20

