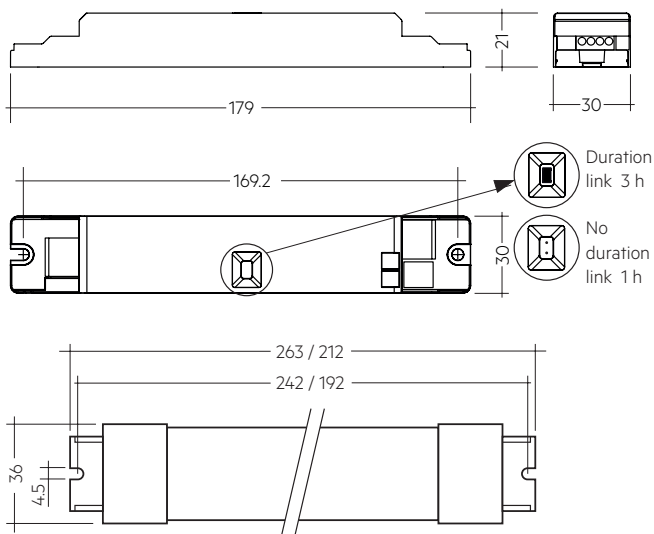


Non-maintained emergency lighting LED Driver for manual testing for LED modules
with a forward voltage of 10 to 250 V for luminaire installation
3 h rated duration

EM converterLED BASIC Installation and wiring instructions



Description

EM converterLED BASIC is designed for use in emergency luminaires in conjunction with LED modules and LED Drivers from Tridonic and other manufacturers. It is compatible with LED light modules for linear / area as well as downlight applications and can be used with normal fixed output or dimming LED Drivers of up to 150 W power.

These modules are approved to IEC / EN 61347-2-7 and provide a battery charge current that is within the range of charge currents quoted on the Battery Manufacturers Declaration Form for the ended battery types. This compatibility allows converted luminaires to comply with the relevant parts of IEC / EN 60598-2-22.

Please note that due to EU law, this article is available for purchasing only outside of the European Union.

Technical data EM converterLED BASIC

Rated supply voltage	220 – 240 V
Mains frequency	50 / 60 Hz
Typ. λ (at 230 V, 50 Hz)	0.65C
LED module forward voltage range EM converterLED 203 / 204 50V	10 – 54 V (SELV)
LED module forward voltage range EM converterLED 203 / 204 250V	50 – 250 V
Output current	see datasheet
Time to light	< 0.25 s from detection of emergency event
Overvoltage protection	320 V (for 48 h)
U-OUT EM converterLED 204 50V	60 V
U-OUT EM converterLED 204 250V	280 V
Battery charging time ^①	24 h
Ambient temperature range t_a	-5 ... + 55 °C
Max. casing temperature t_c	75 °C
Mains voltage changeover threshold	according to EN 60598-2-22
Type of protection	IP20
Dimensions LxWxH	179 x 30 x 21 mm

^① 16 h battery charging time for 2 h emergency lighting function according to AS 2293.

Ordering data

Type	Article number	Packaging carton	Packaging Pallet	Weight per pc.
EM converterLED BASIC 203 NiCd 50V KIT	89800699	25 pc(s).	300 pc(s).	0.483 kg
EM converterLED BASIC 203 NiCd 250V KIT	89800700	25 pc(s).	300 pc(s).	0.483 kg
EM converterLED BASIC 204 NiCd 50V KIT	89800678	25 pc(s).	300 pc(s).	0.685 kg
EM converterLED BASIC 204 NiCd 250V KIT	89800679	25 pc(s).	300 pc(s).	0.685 kg

Battery (included)

Type	Article number	Number of cells	Type	Capacity	Case temperature range
NiCd D cells – stick					
Accu-NiCd 3A 50	89800116 ^①	1 x 3	stick	4.5 Ah	+5 °C to +50 °C
Accu-NiCd 4A 50	89800117 ^②	1 x 4	stick	4.5 Ah	+5 °C to +50 °C

^① For replacements please order 89800084.

^② For replacements please order 89800085.

Technical data Accu-NiCd 4.5 Ah

International designation	KRMU 33/62
Battery voltage/cell	1.2 V
Cell type	D
Case temperature range to ensure to ensure 4 years design life	+5 °C to +50 °C
Max. short term battery case temperature (shorter than 1 month over the battery lifetime)	70 °C
Max. number discharge cycles	12 cycles per year plus 4 cycles during commissioning
Max. storage time	12 months

Charge status indication LED (included)

Type	Article number
LED EM green, ultra high brightness 1,0 m	89800271

Important

These instructions contain important safety information, read and follow them carefully. Tridonic will not accept any responsibility for injury, damage or loss, which may arise as a result of incorrect installation, operation, maintenance or disposal.

Isolate switched and unswitched mains and negative battery supply before installing or maintaining – high voltage will be present at LED terminals if the battery is not isolated.

High voltage insulation testing up to 500 V DC is only allowed between the line and neutral connected together and the earth.

Note to the installer:

Please ensure this leaflet is made available to the user and/or maintenance engineer together with a test record card.

Conversion

1. It is recommended that the conversion of a luminaire should be carried out in accordance with ICEL 1004.
2. Ensure that the module and associated battery operate within their temperature ratings.
3. After conversion of a luminaire existing components must continue to operate below their temperature rating.
4. Wire the module and battery into the luminaire according to the wiring diagram.
5. Clearly identify the new unswitched supply to the converted luminaire.
6. Check operation of the led charge indicator by connecting the unswitched line.
7. Check operation of the led in the emergency mode by disconnecting the unswitched supply after 15 minutes.
8. Relabel the luminaire to identify the company responsible for the conversion.
9. Fill in test record card if the luminaire is being converted on site.
10. Mark the date of commissioning on the battery label.

Failure to do as mentioned above will invalidate any warranty claims.

Emergency Operation

After the switchover to emergency operation the EM converterLED is detecting the total forward voltage of the connected LED modules and automatically adjusts the LED current.

LED forward voltage

The total forward voltage of all the LED light modules operated in emergency mode is used for the decision which type of EM converterLED should be used.

EM converterLED BASIC 203/204 NiCd/NiMH 50V forward voltage range: 10 – 54 V

EM converterLED BASIC 203/204 NiCd/NiMH 250V forward voltage range: 50 – 250 V

The total forward voltage must be within the forward voltage range of the EM converterLED.

LED Driver compatibility

The EM converterLED emergency unit use 3 pole technology and is compatible with most LED Drivers on the market, however it is important to check that the rating of the LED Driver does not exceed the values specified below:

- The max. allowed output current rating of the associated LED Driver is 2.4 A peak (current rating of switching relays of EM converterLED)
- The max. allowed inrush current rating of the associated LED Driver is 60 A peak for 1 ms or 84 A for 255 μ s (inrush current rating of switching relay of EM converterLED)
- The max. allowed output voltage of the associated LED Driver applied to the EM converterLED output is 450V (voltage withstand between adjacent contact of the single switching relay of the EM converterLED)
- The max. allowed LED load of the associated LED Driver is 150 W in operation. The load must be an LED module.

Maximum lead length

LED 3 m

Note: The length of LED leads to the LED module must not be exceeded. Note that the length of the EM converterLED leads to the LED module will be added to the length of the leads from the LED Driver to the EM converterLED module when considering the lead length of the LED Driver. Leads should always be kept as short as possible.

Wiring guidelines

- EM converterLED BASIC 203/204 NiCd/NiMH 50 V:
The LED terminals, battery and indicator LED terminals are classified as SELV (output voltage < 60 V DC). Keep the wiring of the input terminals separated from the wiring of the SELV equivalent terminals or consider special wiring (double insulation, 6 mm creepage and clearance) when these connections should be kept SELV.
- The output to the LED is DC but has high frequency content, which should be considered for good EMC compliance.
- LED leads should be separated from the mains connections and wiring for good EMC performance.
- Maximum lead length on the LED terminals is 3 m. For a good EMC performance keep the LED wiring as short as possible.
- Maximum lead length for the Test switch and Indicator LED connection is 1 m. The test switch and Indicator LED wiring should be separated from the LED leads to prevent noise coupling.
- Battery leads are specified with 0.5 mm cross section and a length of 1.3 m
- To avoid the damage of the control gear, the wiring must be protected against short circuits to earth (sharp edged metal parts, metal cable clips, louver, etc.)

General notes

Safety

This module and associated luminaire has both an unswitched mains electricity supply and a switched supply as well as an internal battery. To ensure safety disconnect all three before installation or maintenance work begins. (Isolate battery by disconnecting the negative lead.)

The nickel cadmium batteries used together with this module contain an electrolyte which can be harmful to eyes and poisonous on open wounds. Care must be taken when handling the batteries, to avoid puncturing the case. If electrolyte comes into contact with skin wash immediately in water.

Batteries must not be subjected to excessive charge or discharge currents. When working with batteries take care not to short circuit them with tools or jewellery etc.

Installation

Installation must be carried out by a competent person, in accordance with the national or local wiring regulations and BS 5266 Part 1; Code of Practice for Emergency Lighting. If in any doubt consult a qualified electrician.

Ensure that voltage and frequency requirements are compatible with the available supply.

Observe the correct polarity when making electrical connections.

Maintenance

The module does not contain serviceable parts and should not be opened. Doing so will invalidate the warranty.

To ensure that a luminaire containing LED emergency units complies with EN 55015 for radio frequency conducted interference in both normal and emergency mode it is essential to follow good practice in the wiring layout.

Within the luminaire the switched and unswitched 50 Hz supply wiring must be routed as short as possible and be kept as far away as possible from the LED leads. Through wiring may affect the emc performance of the luminaire.

For maintained operation in conjunction with a LED Driver:
The length of LED leads must not be exceeded. Note the length of the EM converterLED leads to the LED module adds to the length of the leads from the LED Driver to the EM converterLED module when considering the lead length of the LED Driver.

Disposal of Batteries

Do not incinerate batteries. Whilst disposing of small quantities is possible with little or no risk, large numbers require expert handling. Consult the relevant Local Authority Health and Safety Officers.

User Obligation

Every care is taken by Tridonic, in the design and construction of its products, to ensure that as far as is reasonably practical, the products, when properly used are safe, and without risk to health.

The health and safety at work act, however, imposes upon the users of a Company's products, an obligation to ensure that all personnel involved with the installation, handling, use or disposal of the products are acquainted with the information provided by the Company, and are made fully aware of any precautions that need to be taken.

Modification

Do not attempt to modify this product. Any modification will invalidate the safety/approval marks, and may render the product unsafe. Tridonic will not accept responsibility for any modified product, or any injury damage, or loss, which may arise as a result of unauthorised modification.

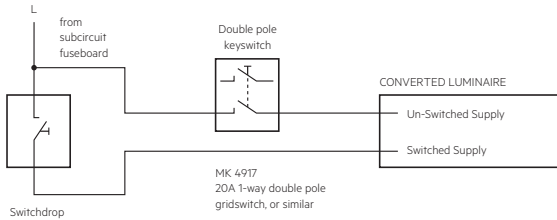
Change of Specification

Tridonic reserve the right to change specifications without prior notification or public announcement.

Testing

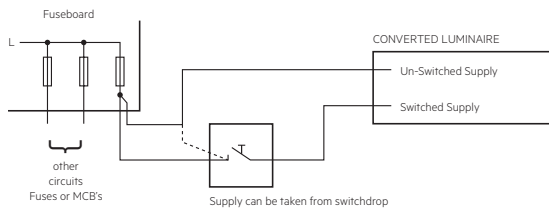
Test Circuit

To test luminaires converted with this module it is only necessary to provide a method for disconnecting the unswitched supply.



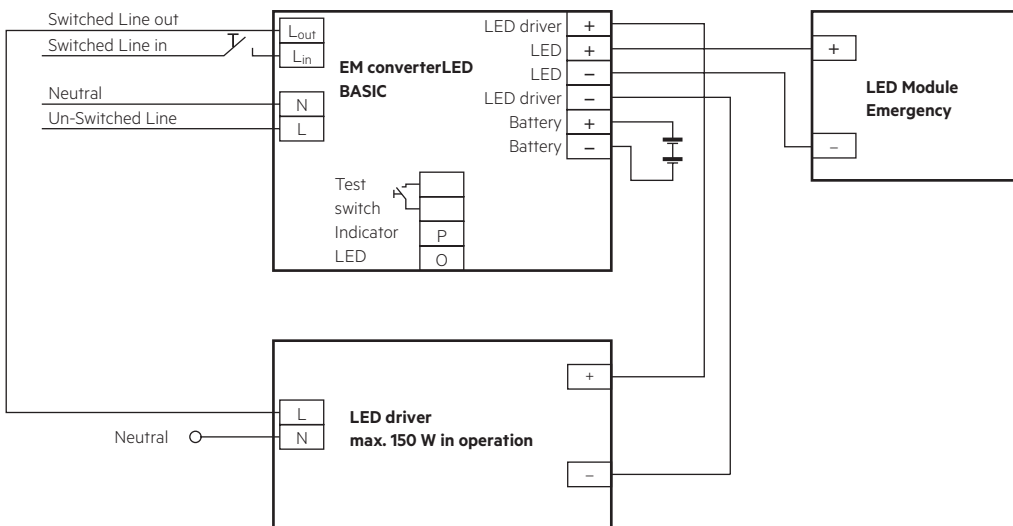
Keyswitch Testing

The unswitched mains supply to this module should be derived from a circuit which is continuously energised. Steps must be taken to ensure that this supply is not inadvertently interrupted at any time. Switches associated with this supply should either be sited in a position inaccessible to unauthorised persons, or be of a tamper proof type.



Fuseboard Testing

Wiring – EM converterLED BASIC with a standard LED Driver and one LED module for mains and emergency operation



Testing

Emergency Lighting must be regularly tested to ensure that it is working and that the batteries achieve the specified duration. Results of testing should be recorded on a test record card. Failure to do so will invalidate any warranty claims. BS 5266 specifies the following tests.

- **Daily:**

The charge indicator (LED) should be checked to see if it is alight.

- **Monthly:**

To check correct function, the converted luminaire should be energised from its battery for a short period.

To ensure the full functionality is recommended to expand the function test duration to approximately 30 seconds.

- **Yearly:**

The converted luminaire should be energised from its battery for a period of 3 hour duration.

Local regulations can deviate from the above and need to be fulfilled.

Batteries should be replaced after 4 years or if the luminaire does not meet its rated duration.

Because the failure of the supply could occur immediately after testing, the operational tests above should be carried out at times of least risk. It is important that prior to the tests the unswitched supply must have been connected for at least 24 hours. Test by disconnecting the supply as described in "Test Circuit" which will simulate mains failure.