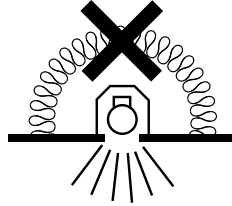


# LED PANEL LIGHT

## WARNING:

1. Ensure that any installation and maintenance is performed by a qualified electrician and that luminaire is wired in accordance to the latest IEE electrical regulations or the local equipments.
2. Ensure that the power supply is off before installation and maintenance and not switched on until the installation or maintenance is completed.
3. The light source contained in this luminaire shall only be replaced by the manufacturer or his service agent or a similar qualified person.

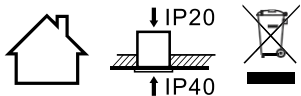
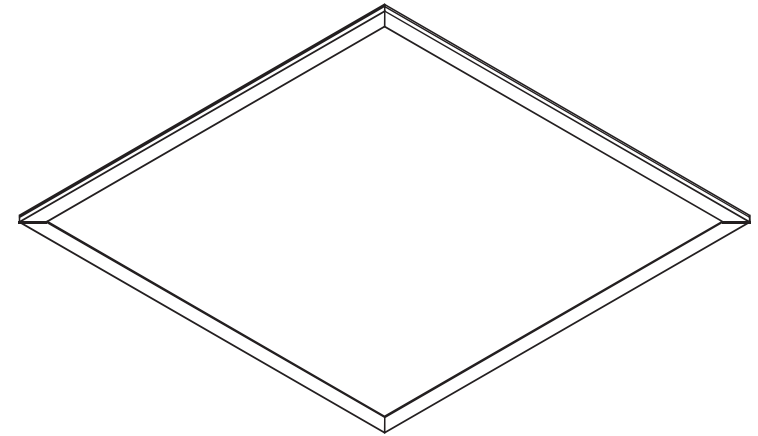


The luminaire cannot be covered with thermal insulation matting or similar materials.



Caution: Risk of electric shock.

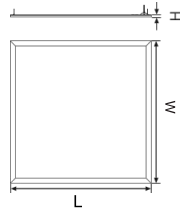
4. Do not apply force to the surface of the luminaire during installation.
5. If the external flexible cord of this luminaire is damaged, it shall be exclusively replaced by the manufacturer or his service agent or a similar qualified person in order to avoid a hazard.



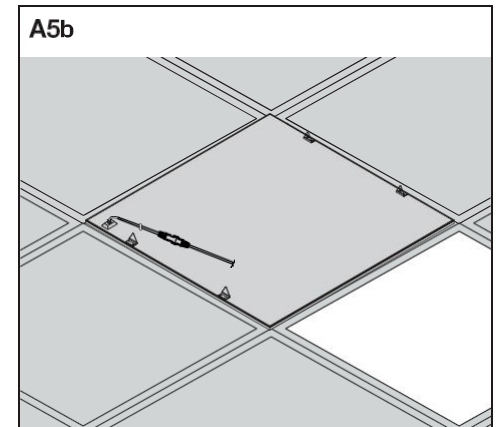
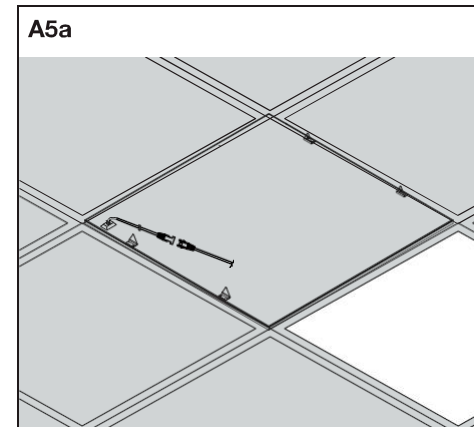
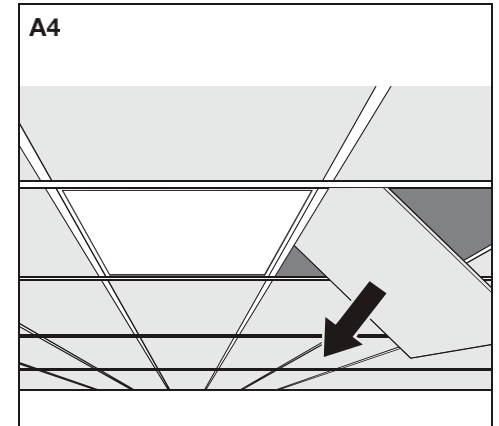
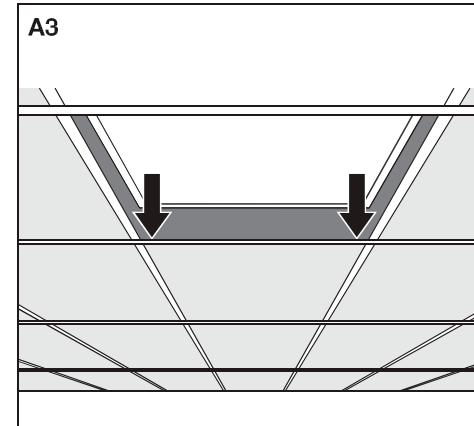
Tridonic GmbH & Co KG  
Faerbergasse 15  
6851 Dornbirn / Austria

- Please read instruction carefully before assembling and installation.
- Please keep instruction as reference in the future.

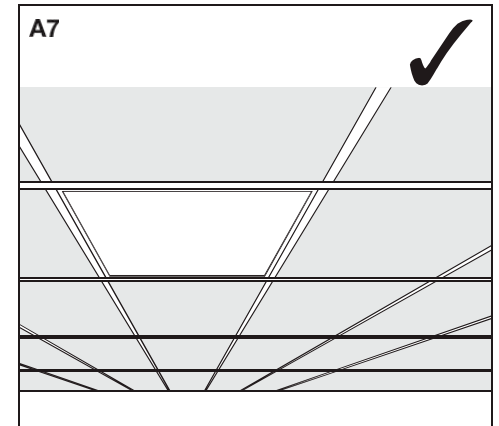
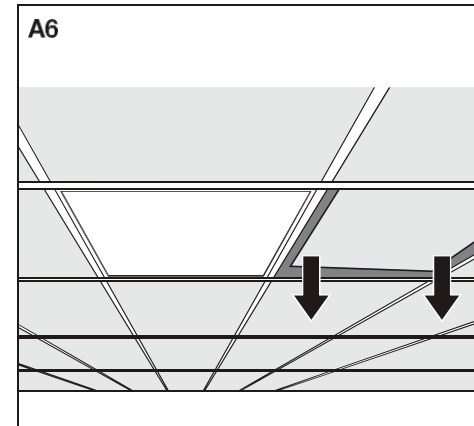
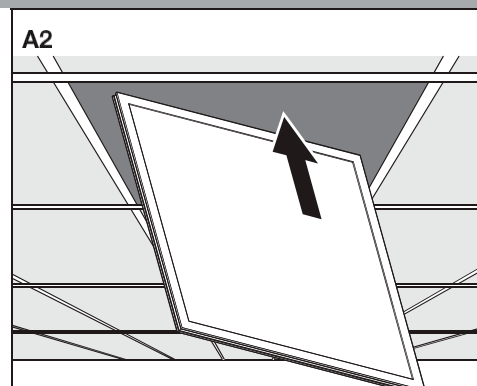
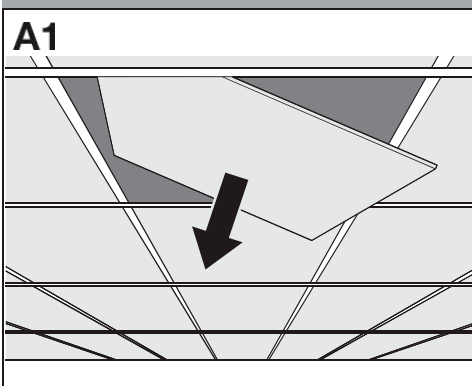
# TRIDONIC



| Tridonic article number | Material Description (short text)     | Vrated | LxWxH (mm)   |
|-------------------------|---------------------------------------|--------|--------------|
| 28003274                | ELA 600x600mm 3800lm 830 ADV2         | 39VDC  | 595x595x8.5  |
| 28003275                | ELA 600x600mm 3800lm 840 ADV2         |        |              |
| 28003276                | ELA 600x600mm 3800lm 865 ADV2         |        |              |
| 28003277                | ELA 625x625mm 3800lm 830 ADV2         |        | 620x620x8.5  |
| 28003278                | ELA 625x625mm 3800lm 840 ADV2         |        |              |
| 28003279                | ELA 1200x300mm 3800lm 830 ADV2        |        | 1195x295x8.5 |
| 28003280                | ELA 1200x300mm 3800lm 840 ADV2        |        |              |
| 28003281                | ELA 1200x300mm 3800lm 865 ADV2        | 35VDC  | 595x595x8.5  |
| 28003282                | ELA 600x600mm 3800lm 827-865 ADV2     |        |              |
| 28004047                | ELA 600x600mm 3800lm 827-865 ADV2 TPA | 39VDC  |              |
| 28003283                | ELA 600x600mm 3800lm 830 ADV2 TPA     |        |              |
| 28003284                | ELA 600x600mm 3800lm 840 ADV2 TPA     | 40VDC  |              |
| 28003285                | ELA 600x600mm 3800lm 830 SNC2         |        |              |
| 28003286                | ELA 600x600mm 3800lm 840 SNC2         |        |              |
| 28003287                | ELA 600x600mm 3800lm 865 SNC2         |        |              |

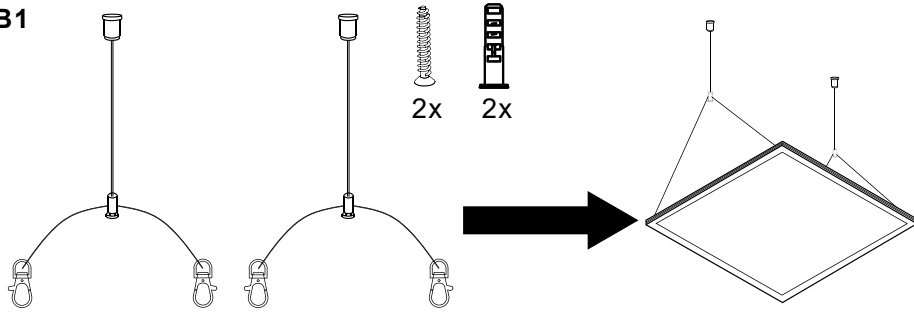


**Recessed mount**

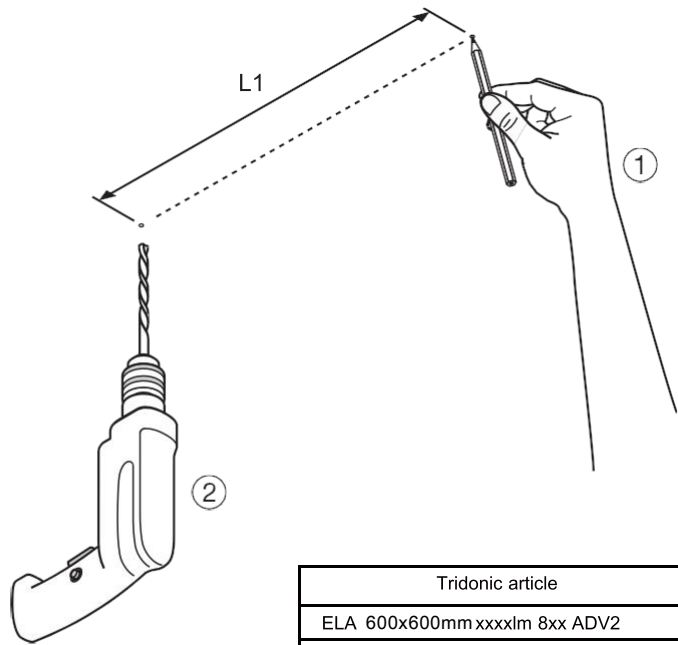


Suspension mount

B1

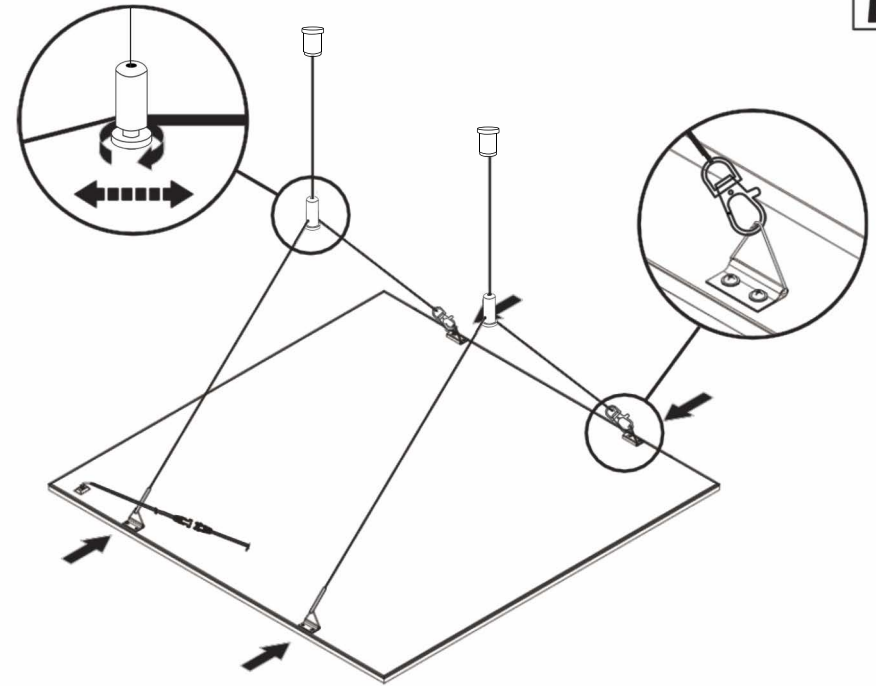


B2

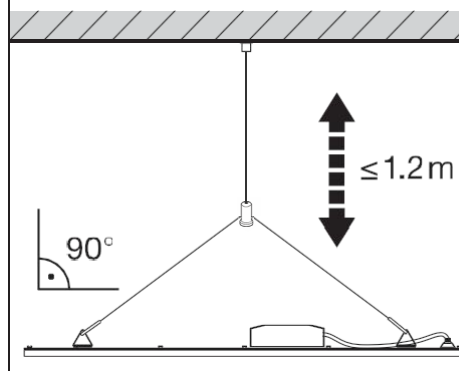


| Tridonic article                              | L1(mm) |
|---|--------|
| ELA 600x600mm xxxxl <sub>m</sub> 8xx ADV2     | 501    |
| ELA 620x620mm xxxxl <sub>m</sub> 8xx ADV2     | 526    |
| ELA 1200x300mm xxxxl <sub>m</sub> 8xx ADV2    | 695    |
| ELA 600x600mm xxxxl <sub>m</sub> 8xx SNC2     | 501    |
| ELA 600x600mm xxxxl <sub>m</sub> 8xx ADV2 TPA | 501    |

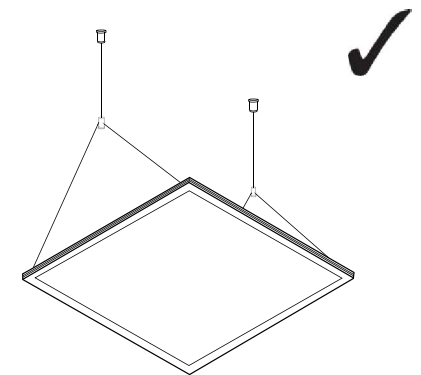
B3



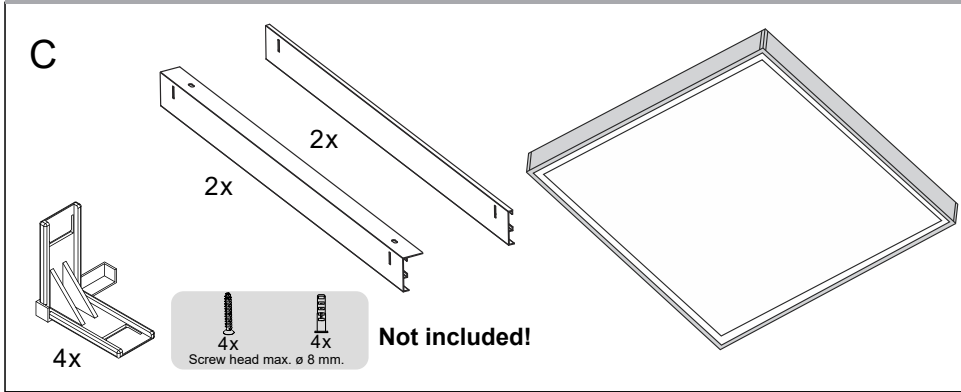
B4



B5

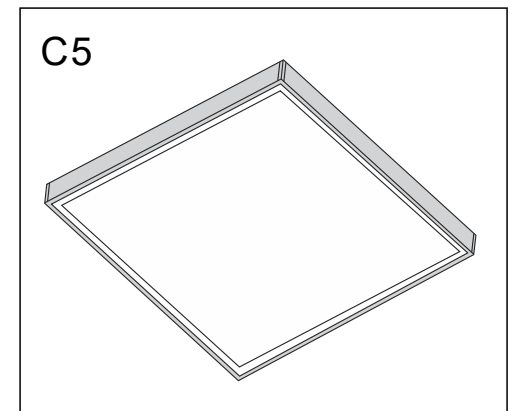
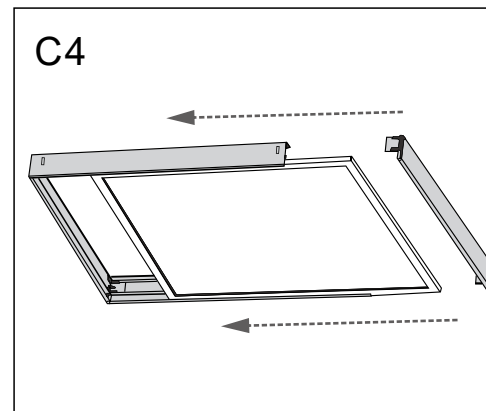
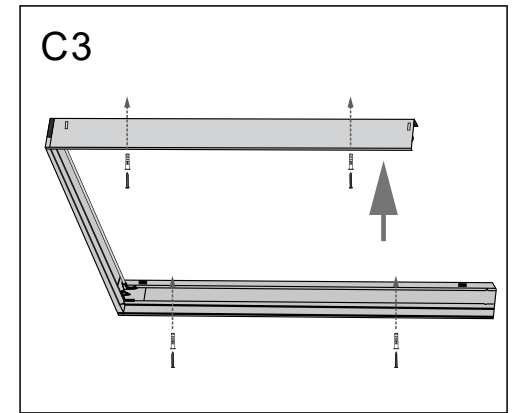
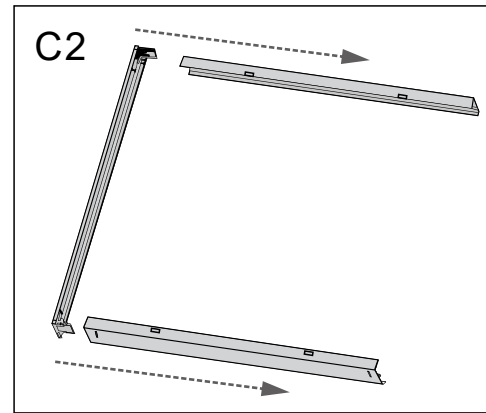
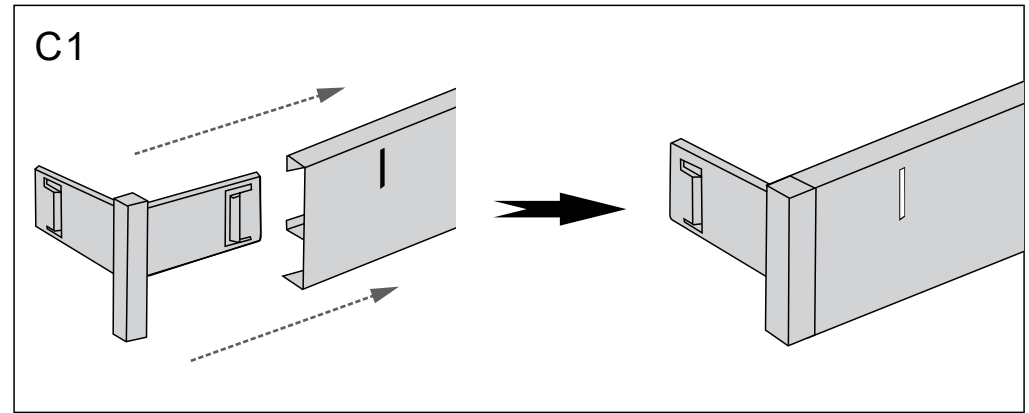


Surface mount 6060/6262

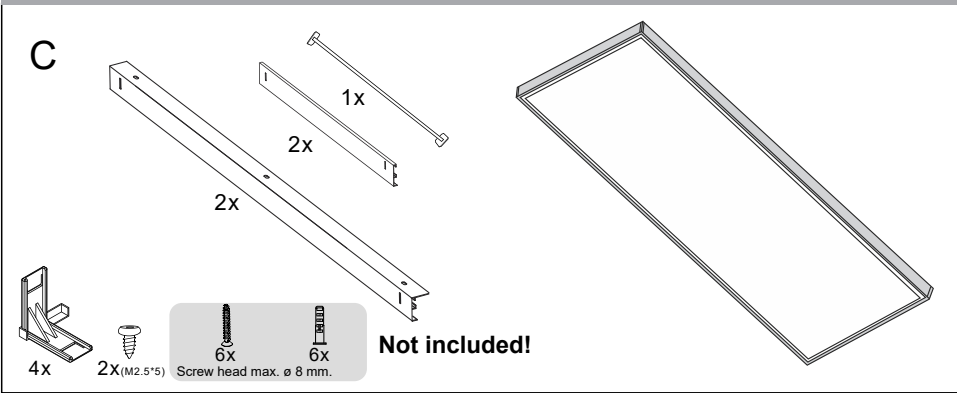


L2  
H2  
X  
Y  
W2

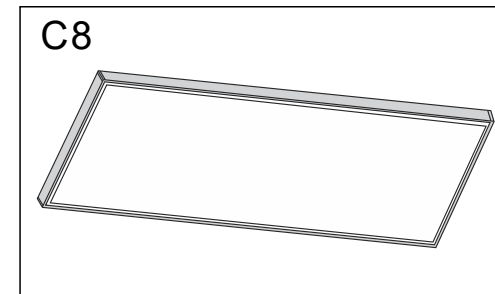
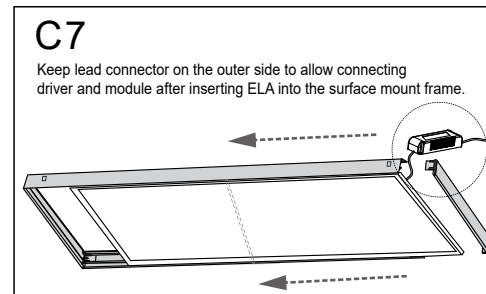
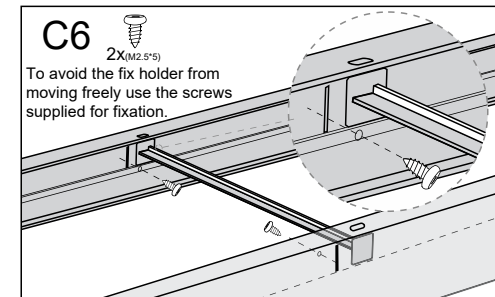
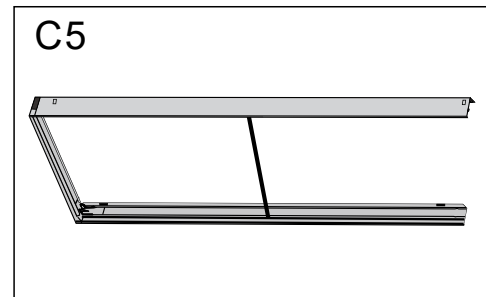
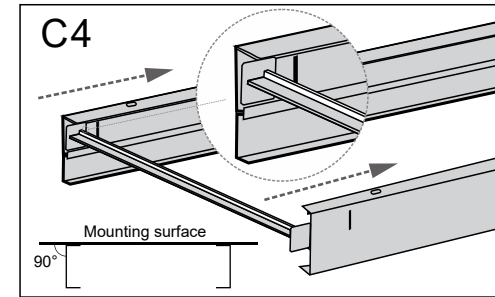
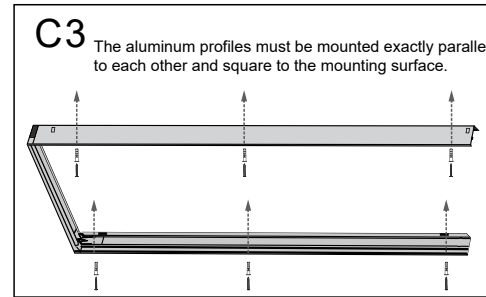
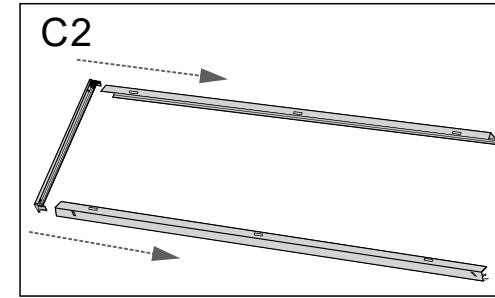
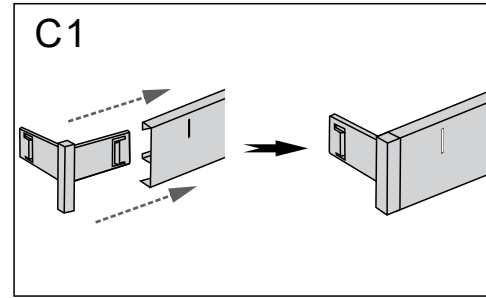
| Tridonic article                 | L2xW2xH2(mm) | X(mm) | Y(mm) |
|----------------------------------|--------------|-------|-------|
| ELA 600x600mm xxxlm 8xx ADV2     | 601x601x43   | 386   | 586   |
| ELA 620x620mm xxxlm 8xx ADV2     | 626x626x43   | 411   | 611   |
| ELA 600x600mm xxxlm 8xx SNC2     | 601x601x43   | 386   | 586   |
| ELA 600x600mm xxxlm 8xx ADV2 TPA | 601x601x43   | 386   | 586   |



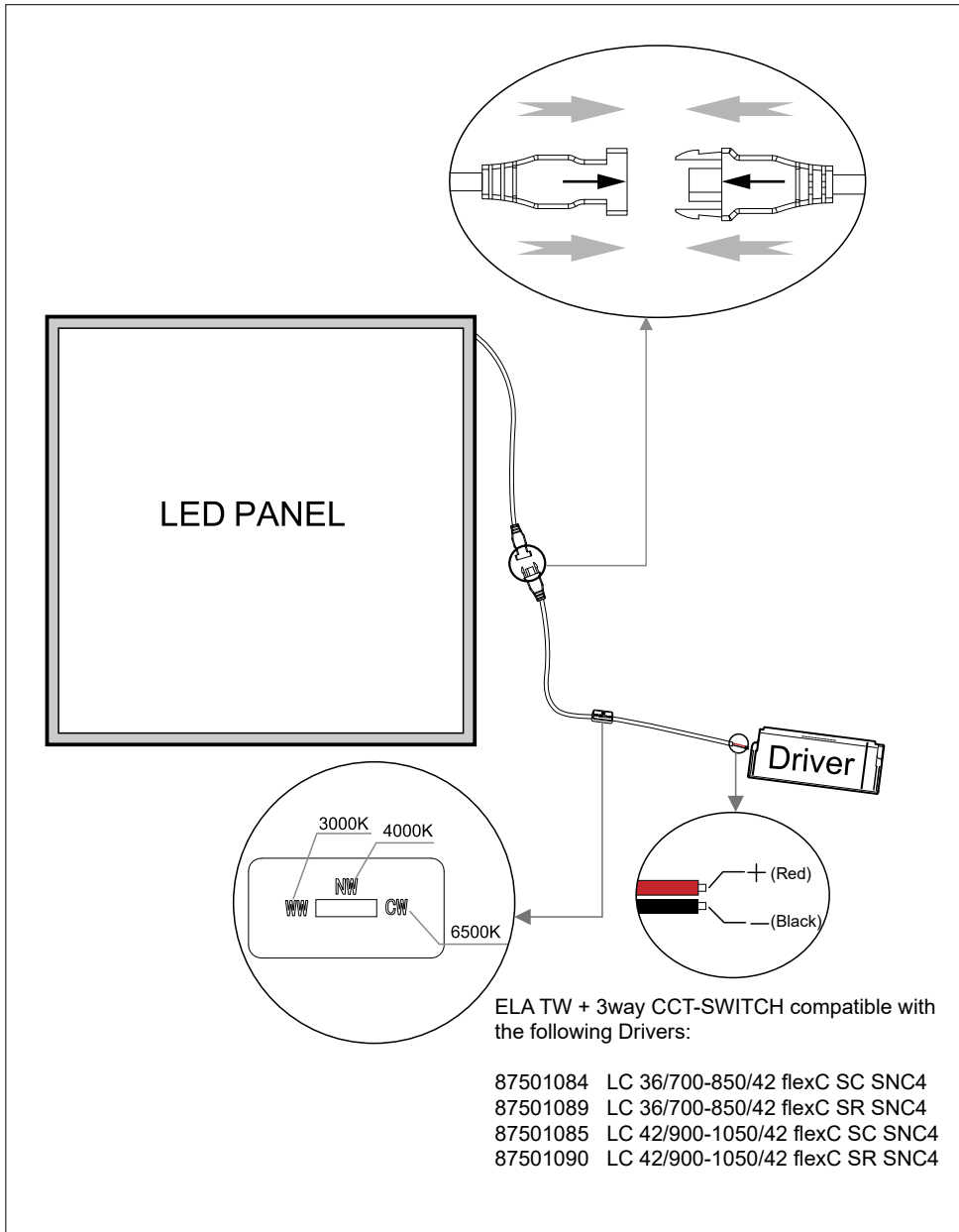
Surface mount 30120



| Tridonic article              | L2xW2xH2(mm) | X(mm) | Y(mm) |
|-------------------------------|--------------|-------|-------|
| ELA 1200x300mm xxxlm 8xx ADV2 | 1201x301x43  | 493   | 286   |



## 3way CCT- SWITCH



## 2 Channel Dimming Driver

