

net4more comMODULE 5V un:c-PoE

PoE comMODULE for net4more system

Product description

- Component of the net4more system
- PoE comMODULE with 5 V un:c power supply
- For the supply of independent sensors
- SELV protection
- Power supply via PoE
- PoE IEEE 802.3at (25.5 W)
- net4more articles are part of the net4more toolbox consisting of hardware and software and can be ordered with the system via your local sales team
- 5-year guarantee



Standards, page 4



PHASED OUT

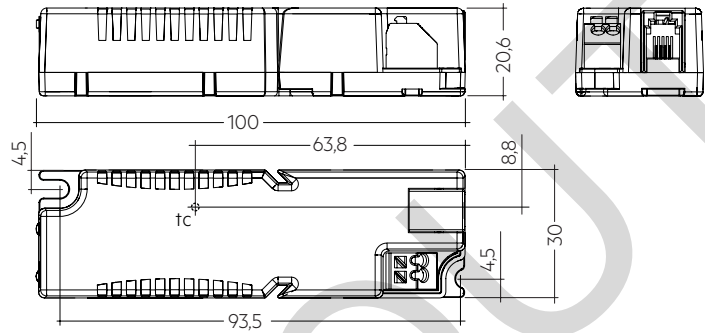


net4more comMODULE 5V un:c-PoE

PoE comMODULE for net4more system

Technical data

Supply via	PoE
PoE standard	IEEE 802.3at (25.5 W)
Power consumption comMODULE	1.25 W
Max. output power for un:c	1 W
Operating temperature	-25 ... +60 °C
tc point	80 °C
Storage temperature	-40 ... +80 °C
Dimensions L x W x H	100 x 30 x 20.6 mm
Type of protection	IP20



Ordering data

Type	Article number	Packaging, carton	Weight per pc.
net4more comMOD 5V un:c-PoE	28001577	120 pc(s).	0.043 kg

net4more cable un:c

Product description

- RJ10 un:c connection cable in various lengths



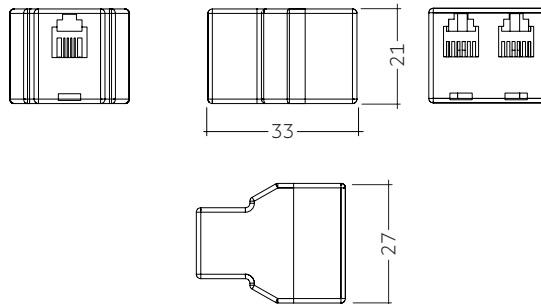
Ordering data

Type	Article number	Packaging carton	Weight per pc.
net4more cable 50mm un:c	28001674	100 pc(s).	0.002 kg
net4more cable 100mm un:c	28001675	200 pc(s).	0.003 kg
net4more cable 200mm un:c	28001676	100 pc(s).	0.004 kg
net4more cable 300mm un:c	28001677	300 pc(s).	0.006 kg
net4more cable 500mm un:c	28001678	200 pc(s).	0.008 kg

net4more 3way Splitter un:c

Product description

- un:c 3-way-splitter
- For wiring of additional components



Ordering data

Type	Article number	Packaging carton	Weight per pc.
net4more 3way Splitter un:c	28001664	100 pc(s).	0.02 kg

1. Standards

EN 60950-1
EN 61347-1
EN 61347-2-11
EN 50364
EN 55024
EN 55032
EN 300330 V2.1.1
EN 301 489-1 V2.1.1
EN 301 489-3 V2.1.1
UL 60950-1 Edition 2

1.1 Glow wire test

according to EN 61347-2-11 with increased temperature of 850 °C passed.

2. Common

2.1 net4more comMODULE un:c-PoE

This comMODULE provides the PoE connection of the node with an IT cabling using a RJ45 plug. Mains power to the node comes within the same cable. PoE is a way of providing highspeed data and mains power from a PoE switch or injector.

The comMODULE is used for the powering of the net4more Sensor 5DPI 14rc, with the possibility to also supply new standalone or 3rd party sensors via un:c interface.

3. Thermal details and life-time

3.1 Expected life-time

Expected life-time				
Type	ta	40 °C	50 °C	60 °C
net4more comMOD 5V	tc	60 °C	70 °C	80 °C
un:c-PoE	Life-time	130,000 h	105,000 h	50,000 h

The device is designed for a life-time stated above under reference conditions and with a failure probability of less than 10 %.

4. Interfaces / communication

4.1 un:c interface

Parameter	Value
Output voltage	5 V
Min. output voltage	4,2 V
Max. output voltage	5,5 V
Max. output current	400 mA
Max. cable length ^①	15 m
Bus frequency	100 / 400 kHz
Devices per bus	10

① The max. cable length corresponds to the sum of all lines in un:c interface.

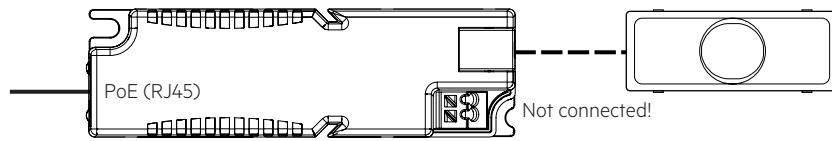
4.2 un:c interface / RJ10

The connection between communication module and LED Driver must be done via a straight through un:c interface cable.

un:c (RJ10)	
pin 1	STR
pin 2	5V
pin 3	GND
pin 4	SCL

5. Installation / wiring

5.1 Wiring diagram



Caption:

— PoE
- - - un:c

5.2 Ethernet cable

Ethernet cable using standard Cat.5e or higher must be used.

5.3 Installation note

Max. torque at the clamping screw: 0.5 Nm / M4

6. Miscellaneous

6.1 Additional information

Additional technical information at www.tridonic.com → Technical Data

Guarantee conditions at www.tridonic.com → Services

Life-time declarations are informative and represent no warranty claim.
No warranty if device was opened.