

**battenSENSE PROGRAMMER**

Accessory for battenSENSE



**Product description**

- \_ Optional infrared programming unit for 28006399 - battenSENSE SFI 20 PIR 12DPI WH
- \_ Setting of predefined discrete parameter values
- \_ Programmable functions such as light level, time delay, P.I.R., bright-out, power-up
- \_ Requires 2 AAA 1.5 V batteries (not included)

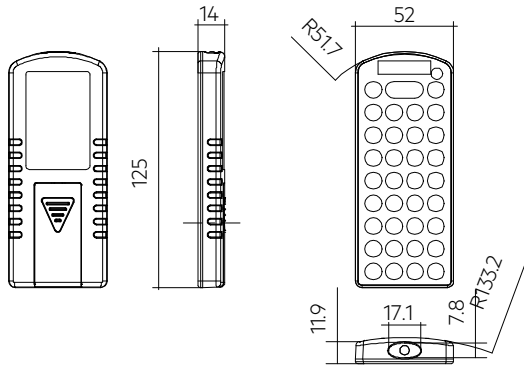
**Website**

<http://www.tridonic.com/28006400>



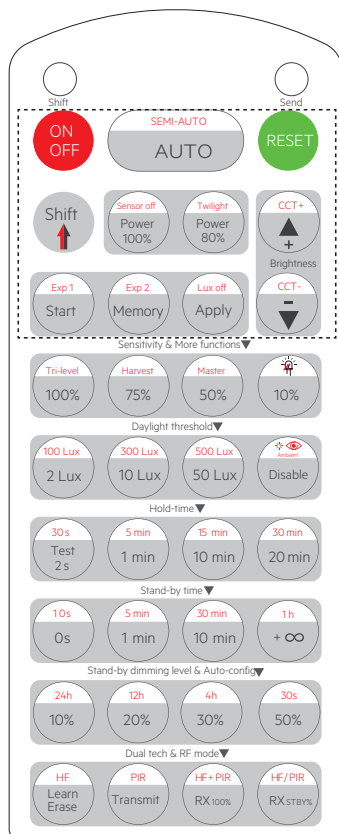
**battenSENSE PROGRAMMER**

Accessory for battenSENSE

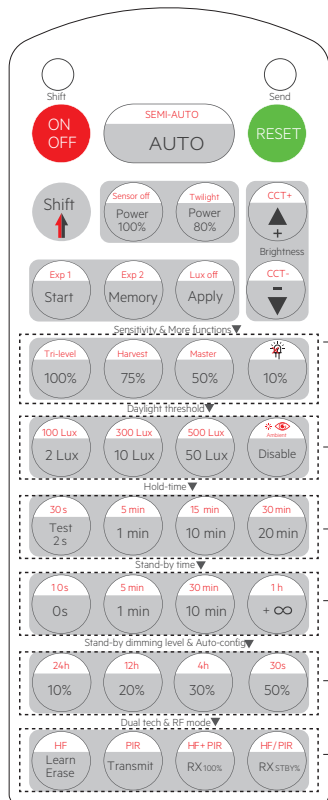


**Ordering data**

Type	Article number	Packaging, carton	Weight per pc.
battenSENSE PROGRAMMER	28006400	14 pc(s).	0.05 kg



	<p>Press button "ON/OFF" to select permanent ON or permanent OFF mode. * Press button "AUTO"/ "RESET" to exit this mode.</p>
	<p>Press the "RESET" button to recall the default settings. The default settings are: Auto mode; DALI Master mode; Detection range 100%; Hold-time 5 min; Standby time 10 min; Standby dimming level 20%; Lux off activated.</p>
	<p>Press button "Shift", the LED on the top left corner is on to indicate mode selection. All values / settings in RED are valid for 20 seconds.</p>
<p>AUTO</p>	<p>Press button "AUTO" to initiate automatic mode. The sensor starts working and all settings remain as before the light is switched ON/OFF;</p>
<p>SEMI-AUTO</p>	<p>This key is not applicable on this product.</p>
<p>Power 100% 80%</p>	<p>Press buttons in zone "Power out" to select the light output at 80% (at initial 10000 hours) or 100%.</p>
<p>Sensor off</p>	<p>This key is not applicable on this product.</p>
<p>Twilight</p>	<p>1. Press button "Shift", the red LED on. Press button "Twilight", the function of movement detection is disabled, but the function of photocell is still working, and the product becomes a pure dusk/ dawn daylight sensor. To exit from "Twilight" mode, press button "AUTO".</p>
	<p>Press these two buttons to adjust the light output brightness and set a new target lux level. The daylight sensor can measure ambient daylight level and ignore the LED light, so as to calculate how much artificial light is needed to maintain the target lux level.</p>
<p>CCT+ CCT-</p>	<p>These keys are not applicable on this product.</p>
<p>Start Memory Apply</p>	<p>1. Press button "Start" to program. 2. Select the buttons in "Detection range", "Daylight threshold", "Hold-time", "Stand-by time", "Stand-by dimming level" to set all parameters. 3. Press button "Memory" to save all the settings programmed in the remote control. 4. Press button "Apply" to set the settings to each sensor unit(s).</p> <p>For example, to set detection range 100%, daylight threshold Disable, hold-time 5min, stand-by time + ∞, stand-by dimming level 30%, the steps should be: Press button "Start", button "100%","Disable","Shift","5min","Shift","+ ∞ ","30%","Memory". By pointing to the sensor unit(s) and pressing "Apply", all settings are passed on the sensor(s).</p>
<p>Lux off</p>	<p>The "Lux off" function is activated as default. When the ambient lux level exceeds the target level continuously for more than 5 minutes, the lights will be turned off.</p> <p>In AUTO /Twilight modes, to disable "Lux off":</p> <p>1. Press "Shift" button first, the red LED on. 2. Press "Lux off" button, the "Lux Off" function will be deactivated. The lights will not turn off even when the ambient lux level exceeds the target lux level but will dim down the brightness to the stand-by time level.</p> <p>For Sensor LED indicator references: 1. Fast flash 1s, "Lux off" function activated. 2. Remains on 2s, "Lux off" function deactivated.</p>
<p>Exp 1 Exp 2</p>	<p>These keys are not applicable on this product.</p>



Sensitivity & More functions	
100% 75% 50% 10%	In AUTO modes, press buttons in zone "Detection range" to set detection range at 100%/75%/50%/10%.
Tri-level Harvest	1.Press button "Shift", the red LED on. 2. Press buttons "Tri-level" or "Daylight harvest" to shift between Tri-level control mode and Daylight harvest mode.
Master	This key is not applicable on this product.
Daylight threshold	
2Lux 100Lux 10Lux 300Lux 50Lux 500Lux Disable	Press buttons in zone "Daylight threshold" to set daylight sensor at 2Lux / 10Lux / 50Lux / 100Lux / 300Lux/500Lux / Disable. Note: To set daylight sensor at 100Lux / 300Lux / 500Lux, press "Shift" button first.
* Ambient	1. Press button "Shift", the red LED on. 2. Press button "Ambient", the surrounding lux level is sampled and set as daylight threshold / target Lux level.
Hold-time mode	
Test 2s 30s 1min 5min 10min 15min 20min 30min	In AUTO mode, press buttons in zone "hold-time" to set the hold-time at 2s / 30s / 1min / 5min / 10min / 15min / 20min / 30min. Note: 1. To set hold-time at 30s / 5min / 15min / 30min, press "Shift" button first. 2. 2s is for testing purpose only, stand-by period and daylight sensor settings are disabled in this mode. *To exit from Test mode, press button "RESET" or any button in "Hold-time".
Stand-by time mode	
0s 10s 1min 5min 10min 30min + ∞ 1h	Press buttons in zone "stand-by time" to set the stand-by period at 0s / 10s / 1min / 5min / 10min / 30min / 1h / + ∞. Note: 1. To set stand-by-time at 10s / 5min / 30min / 1h, press "Shift" button first. 2. "0s" means on/off control; 3. "+ ∞" means bi-level control, the fixture is 100% on when there is motion detected, and remains at the stand-by dimming level when no presence after motion hold-time. Only when the stand-by time is set in "+ ∞" and the ambient lux level is below the target lux level, the lux will auto-on.
Stand-by dimming level & Auto-config.	
10% 20% 30% 50%	Press the button in zone "stand-by dimming level" to set the stand-by dimming level at 10% / 20% / 30% / 50%.
24h 12h 4h 30s	1.Press button "Shift", the red LED on. 2. Select a time period and the sensor will do light level measurement and determine/save the lowest light level (commission line) with 100% light on, so as to set the target lux level automatically. Note: 1. Make sure the light level measurement covers the night time. 2. The fixture will go into sensor mode after the measurement, all sensor setting remain unchanged.
Dual tech & RF mode	
Learn Erase Transmit	These keys is not applicable on this product.
RX100% RXSTBY%	These keys is not applicable on this product.
HF PIR HF+PIR HF/PIR	These keys is not applicable on this product.