

basicDIM Wireless UI EnOcean

Casambi Ready wireless user interface



basicDIM Wireless UI EnOcean Single



basicDIM Wireless UI EnOcean Double

Product description

- _ Can be integrated in Casambi systems (Casambi Ready)
- _ Battery free wireless wall switch
- _ Single or double rocker
- _ Maintenance free
- _ Wireless communications via Bluetooth
- _ Controls all types of basicDIM Wireless devices
- _ Scenes
- _ Dim up / down

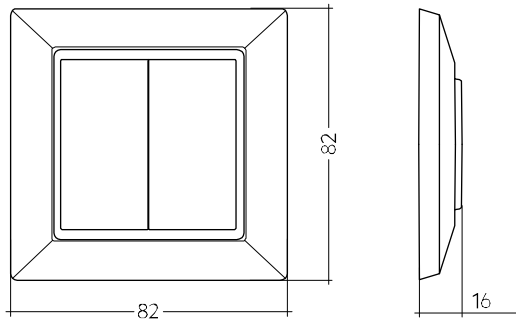
Website

<http://www.tridonic.com/28005093>



basicDIM Wireless UI EnOcean

Casambi Ready wireless user interface



Ordering data

Type	Article number	Colour	Packaging, carton	Weight per pc.
basicDIM Wireless UI EnOcean EWSSB	28005093	White	10 pc(s).	0.06 kg
basicDIM Wireless UI EnOcean EWSDB	28005094	White	10 pc(s).	0.06 kg

Technical data

Radio transceiver operating frequencies	2.4 – 2.48 GHz
Max. output power radio transceiver (E.I.R.P.) ^①	+ 4 dBm
Wireless range, in open air	up to 10 m
Mounting	via gluing or screwing
Ambient temperature t_a	-25 ... +65 °C
Humidity	0 ... 95 % (non-condensing)
Storage temperature t_s	-25 ... +65 °C
Guarantee (conditions at www.tridonic.com)	1 Year(s)
Dimensions L x W x H	82 x 82 x 16 mm

Approval marks



① E.I.R.P.: Equivalent Isotropically Radiated Power.

1. Common

1.1 Description

basicDIM Wireless UI EnOcean (EWSSB, EWSDB) are universal energy harvesting wireless switches in the European 55 x 55 mm form factor. EWSSB and EWSDB are transmitting the button status based on the 2.4 GHz Bluetooth Low Energy (BLE) radio standard. The user interface contains an electro-dynamic energy transducer which is actuated by the rocker movement (battery-free).

Whenever a rocker is pushed down or released, electrical energy is created and a set of BLE advertising frames is transmitted identifying the rocker status (pushed or released).

„Long“ or „Short“ rocker press (the time between pushing and releasing the rocker) can be calculated by the receiver.

This user interface enables switching and dimming control.

2. Lifetime

Expected lifetime

basicDIM Wireless UI EnOcean	switching cycles	> 50,000
-------------------------------------	------------------	----------

Switching cycles (actuations) according to EN 60669 / VDE 0632.

3. Functions

The functions can be configured via the 4remoteBT app.

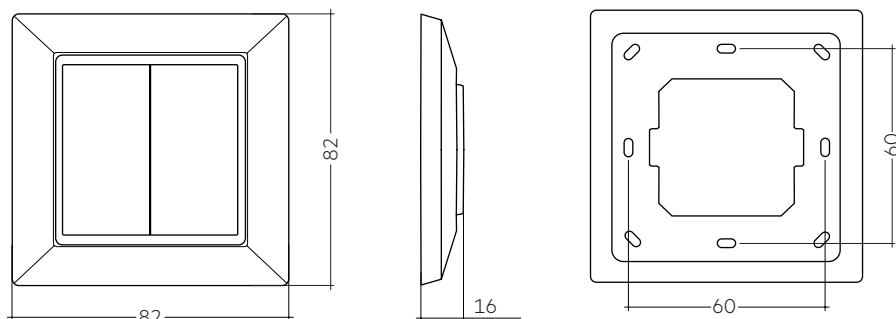
3.1 Basic functions

Basic functions are switch-on / switch-off, dim-up / dim-down and scene recalls.

4. Installation

4.1 Placement

basicDIM Wireless UI EnOcean is equipped with double-sided mounting film to glue it on the wall. Optional it is possible to screw it on the wall, screws are not included.



5. Miscellaneous

6.1 Disposal of equipment



Return old devices in accordance with the WEEE directive to suitable recycling facilities.

5.2 Conditions of use and storage

Environmental conditions: 0% up to max. 95%, not condensed

Storage temperature: -25 °C up to max. +65 °C

The devices have to be acclimatised to the specified temperature range (ta) before they can be operated.

5.3 Additional information

The Bluetooth® word mark and logos are registered trademarks owned by the Bluetooth SIG, Inc. and any use of such marks by Zumtobel Group AG is under license.

Tridonic GmbH & Co. KG is a subsidiary of Zumtobel Group AG.

Additional technical information at www.tridonic.com → Technical Data

Guarantee conditions at www.tridonic.com → Services

Lifetime declarations are informative and represent no warranty claim. No warranty if device was opened.