

basicDIM DGC Sensor 5DPI 14rc

Accessory for basicDIM DGC



basicDIM ILD G2 SRC 20 5DPI WH

Product description

- _ Light measurement and motion detection
- _ Up to 4 basicDIM DGC sensors on one basicDIM DGC (only relevant for basicDIM DGC)
- _ Can be remote controlled
- _ Light measurement and motion detection can be deactivated
- _ Individual adjustment of the parameters with basicDIM DGC Programmer or software masterCONFIGURATOR (only relevant for basicDIM DGC)
- _ Power supply via basicDIM DGC (only relevant for basicDIM DGC)

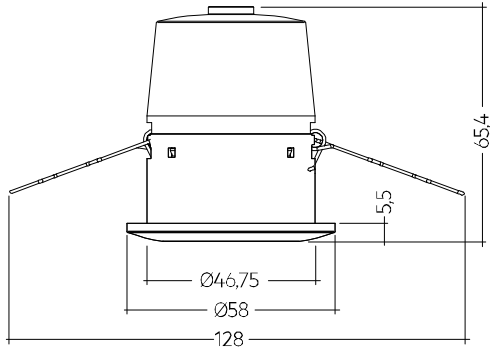
Website

<http://www.tridonic.com/28000934>



basicDIM DGC Sensor 5DPI 14rc

Accessory for basicDIM DGC



Ordering data

Type	Article number	Dimensions L x W x H	Packaging, carton	Weight per pc.
basicDIM DGC Sensor 5DPI 14rc Ceiling installation	28000934	128 x 58 x 65.4 mm	63 pc(s).	0.06 kg

Technical data

Sensor type	PIR sensor
Ø of detection range, mounted at a height of 2.5 m	4.5 m
Swivel design	No
Detection angle	84°
Light measurement at the sensor head ^①	10 – 650 lx
Max. mounting height	5 m
Operating temperature	0 ... +50 °C
Storage temperature ts	-25 ... +55 °C
Type of protection	IP20

^① The measured value at the sensor head corresponds to approx. 15 to 2,000 lux on the surface measured.