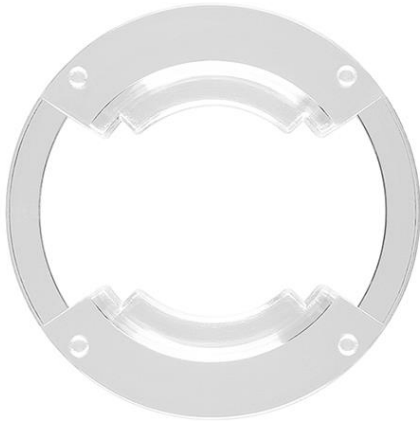


**Shading Set 4DPI WDA**

Accessory for DALI MSensor



Corridor



90° shutter



180° shutter

**Product description**

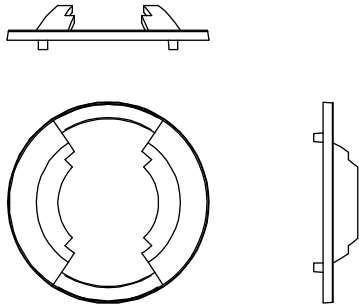
- \_ Shading set consisting of 3 different types of lenses: Corridor, 90° and 180° shutter
- \_ Shutters mountable directly to the front of the sensor in 4 different positions 0°, 90°, 180° and 270° angle relative to the sensor device
- \_ No disturbance of light measurement or IR receiver signals
- \_ Material transparent Lexan 923 with polished surface finish
- \_ Shutters made for one time use, once installed removal may damage the shutter and sensor lens!

**Website**

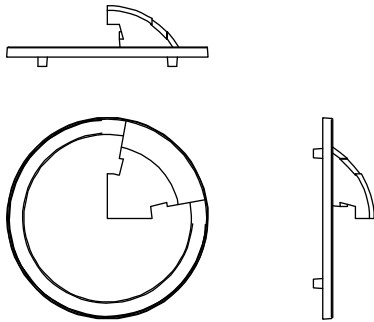
<http://www.tridonic.com/28003867>



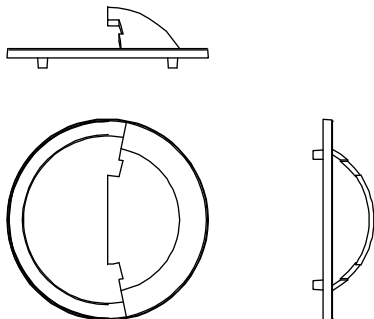
**Shading Set 4DPI WDA**  
Accessory for DALI MSensor



Corridor



90° shutter



180° shutter

**Ordering data**

Type	Article number	Packaging, carton	Weight per pc.
ACU SHADING SET 034 4DPI WDA	28003867	20 pc(s).	0.001 kg