

**Sensor Housing ACU 035 5DPI IP20**

Accessory for DALI MSensor



**Product description**

- \_ Mounting frame for wired 5DPI sensors allowing direct mounting to the ceiling
- \_ Easy „click in“ installation of the sensor
- \_ Additional bracket to fix sensor, to prevent its drop inside the housing
- \_ IP20
- \_ Casing: polycarbonate, white
- \_ UV stabilized plastic
- \_ Mounting kit with screws and decorative plugs
- \_ 0.5 mm<sup>2</sup> wiring for the sensor
- \_ Two 3 x 1.5 mm<sup>2</sup> clamps with cable management (2 entry points on opposite sides)
- \_ Optional shutter to reduce the detection area, which makes it possible to reduce the detection area from 360° to 240° (for PIR sensors)
- \_ Casing passed glow wire test with 850 °C according to EN 61347-1
- \_ compatible with Housing base ACU 037 IP20 WH Art.-No.: 28005945
- \_ Sensor not included

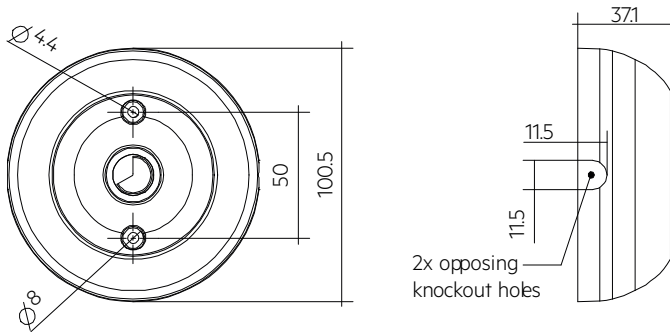
**Website**

<http://www.tridonic.com/28005943>



**Sensor Housing ACU 035 5DPI IP20**

Accessory for DALI MSensor



**Ordering data**

Type	Article number	Packaging, carton	Weight per pc.
Sensor Housing ACU 035 5DPI IP20 WH	28005943	57 pc(s).	0.052 kg