

SPD 10kV UNV SNC

Surge protection



Product description

- _ Universal use for street, tunnel or object lighting
- _ Flexible installation (on mounting plate)
- _ Compact design
- _ UL 1449 type 5 (safety standard)
- _ IEEE C62.41.2 2002 (performance standard)
- _ 5-year guarantee

Housing properties

- _ Type of protection IP67
- _ Wet locations

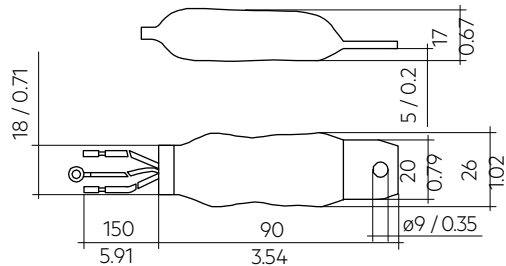
Website

<http://www.tridonic.com/28002169>



SPD 10kV UNV SNC

Surge protection



Dimensions in mm / inch

Ordering data

Type	Article number	Packaging, carton	Packaging, pallet	Weight per pc.
SPD 10kV UNV SNC	28002169	60 pc(s).	7,680 pc(s).	0.07 kg

Technical data

Rated supply voltage	120 – 277 V
AC voltage range	120 – 320 V
Mains frequency	50 / 60 Hz
Mode of protection	L-N, L/N-G
AC system	TN
Nominal discharge current (8/20 µs)	5 kA
Max. discharge current (8/20 µs)	10 kA
Combination wave (1.2/50 µs)	10 kV (5 kA)
Voltage protection level (at nominal discharge current (8/20 µs))	≤ 1.42 kV
Residual voltage (at nominal discharge current (8/20 µs) and at combination wave (1.2/50 µs))	≤ 1.23 kV
TOV behavior (withstand)	337 V AC
TOV behavior (disconnection)	442 V AC
Ambient temperature t_a	-40 ... +85 °C
t_c	85 °C
Type of protection	IP67
Dimensions L x W x H	90 x 26 x 17 mm

Approval marks**Standards**

UL 1449, CSA C22.2, IEEE C62.41.2 2002

1. Standards

UL 1449
CSA C22.2
IEEE C62.41.2 2002

Product not designed for European Economic Area.

1.1 Glow-wire test

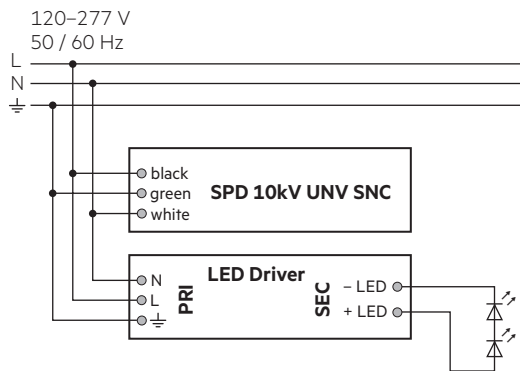
according to EN 61643-11 with increased temperature of 850 °C / 1,562 °F passed.

2. Guarantee conditions

5-year guarantee of the product.
Surge capability: 10 x 10 kV Combination Wave pulses (1.2 / 50 µs).

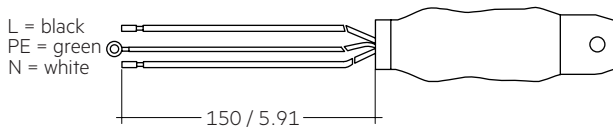
3. Installation / wiring

3.1 Circuit diagrams



wire assignment

L	N	PE
black	white	green



3.2 Wiring type and cross section

The prepared wires have a cross section of 1.5 mm² / 16AWG.
The black (L) and white (N) wires ends are stripped (15 mm / 0.59 inch) and soldered.
The white (PE) wire has a cable lug in the end with a hole size diameter of 5.2 mm / 0.2 inch.

5. Miscellaneous

5.1 Conditions of storage

Humidity: 5 % up to max. 75 %, not condensed

Storage temperature: -10 °C up to max. +40 °C (long term)
14 °F up to max. +104 °F (long term)
-40 °C up to max. +85 °C (24 hours)
-40 °F up to max. +185 °F (24 hours)

5.2 Additional information

Additional technical information at www.tridonic.com → Technical Data

Guarantee conditions at www.tridonic.com → Services

Life-time declarations are informative and represent no warranty claim.
No warranty if device was opened.