

**SPD 10kV CE SNC**

Surge protection

**Product description**

- \_ Terminal L' is the fused output which would disconnect the LED driver from the mains line in the event of an over temperature or during an above maximum surge pulse
- \_ Universal use for street, tunnel or object lighting
- \_ Flexible installation
- \_ Fixed via integrated elongated holes
- \_ Compact dimensions
- \_ Optical status indicator
- \_ Stub or through-wiring connection
- \_ Double or reinforced insulation
- \_ 5 years guarantee (conditions at <https://www.tridonic.com/en/int/services/manufacturer-guarantee-conditions>)

**Housing properties**

- \_ Casing: plastic, grey
- \_ Type of protection IP20

**Typical applications**

- \_ Perfect for in-built applications

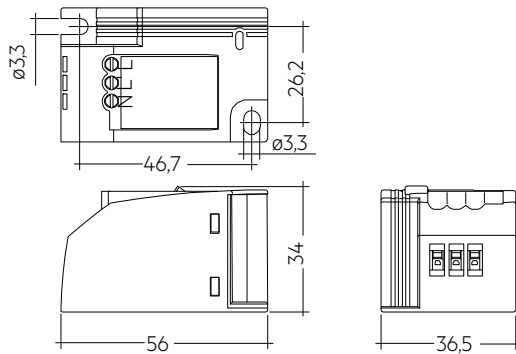
**Website**

<http://www.tridonic.com/28002383>



**SPD 10kV CE SNC**

Surge protection

**Ordering data**

Type	Article number	Packaging, carton	Packaging, pallet	Weight per pc.
SPD 10kV CE SNC	28002383	10 pc(s).	5,040 pc(s).	0.035 kg

**Technical data**

Rated supply voltage	100 – 277 V
AC voltage range	100 – 320 V
Mains frequency	50 / 60 Hz
Mode of protection	L-N
AC system	TN, TT or IT
Type 2 surge protection (T2)	Yes
Type 3 surge protection (T3)	Yes
Rated load current	16 A
Nominal discharge current (8/20 µs)	5 kA
Max. discharge current (8/20 µs)	10 kA
Combination wave (1.2/50 µs)	10 kV (5 kA)
Short-circuit current rating	3 kA
Voltage protection level (at nominal discharge current (8/20 µs) and at 6 kV (1.2/50 µs))	≤ 1.3 kV
Residual voltage (at nominal discharge current (8/20 µs) and at combination wave (1.2/50 µs))	≤ 1.3 kV
TOV behavior (5 s / withstand mode)	400 V AC
TOV behavior (120 min. / safe failure mode)	528 V AC
Response time	≤ 25 ns
Max. backup fuse <sup>①</sup>	16 A
Ambient temperature t <sub>a</sub>	-40 ... +80 °C
Storage temperature t <sub>s</sub>	-40 ... +80 °C
Type of protection	IP20
Altitude (above sea level)	≤ 2,000 m
Dimensions L x W x H	56 x 36,5 x 34 mm

**Approval marks****Standards**

EN 61643-11

① MCB type B and C.

## 1. Standards

EN 61643-11

### 1.1 Glow-wire test

according to EN 61643-11 with increased temperature of 850 °C passed.

## 2. Guarantee conditions

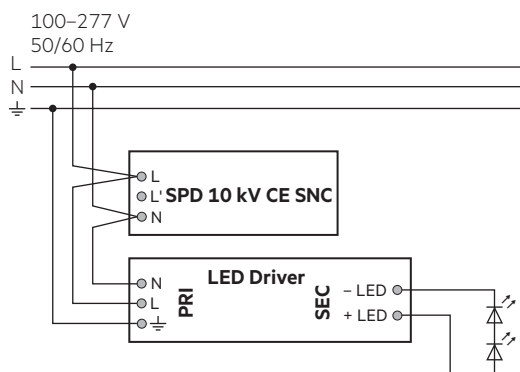
5-year guarantee of the product.

Surge capability: 10 x 10 kV Combination Wave pulses (1.2 / 50 µs).

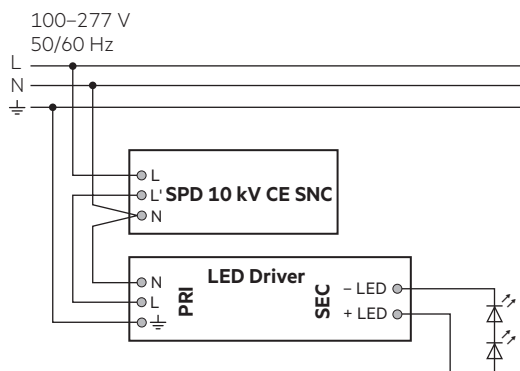
## 3. Installation / wiring

### 3.1 Circuit diagrams

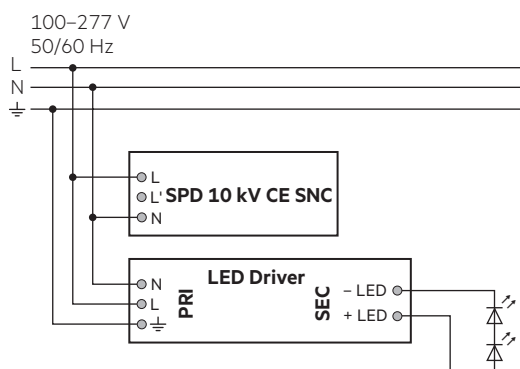
Through wiring:



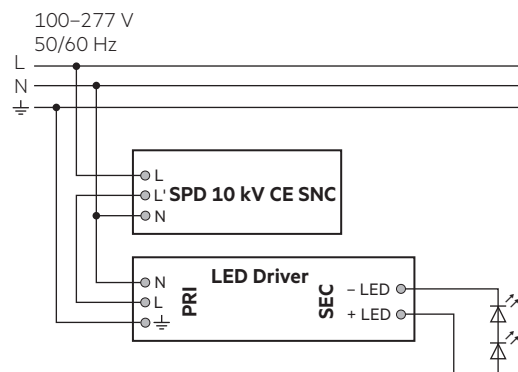
Through wiring with connection of L':



Branch wiring:



Single-branch wiring with connection of L':



### 3.2 Wiring type and cross section

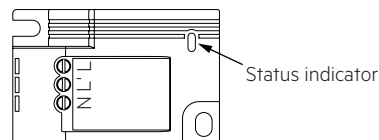
Screw thread	M3
Tightening torque	0.6 Nm
2 conductors with same cross section, stranded	0.2 – 1.5 mm <sup>2</sup>
Conductor cross section, flexible	0.2 – 2.5 mm <sup>2</sup>
2 conductors with same cross section, solid	0.2 – 1.5 mm <sup>2</sup>
Conductor cross section, solid	0.2 – 4.0 mm <sup>2</sup>

## 4. Functions

### 4.1 Status indicator

Indicator window turn red and AC network cut-off.

If the red indicator lights up, the device is damaged and must be replaced by appropriately qualified expert personnel.



### 4.2 Fault message

Optical surge protection fault message.

## 5. Miscellaneous

### 5.1 Insulation testing

It is not necessary to disconnect the arrester during insulating strength measurement in electrical systems with 250 V because the measurements remain unaffected by the device.

### 5.2 Conditions of use and storage

Humidity: 5% up to max. 95%, not condensed

Storage temperature: -40 °C up to max. +80 °C

### 5.3 Additional information

Additional technical information at [www.tridonic.com](http://www.tridonic.com) → Technical Data

Guarantee conditions at [www.tridonic.com](http://www.tridonic.com) → Services

Lifetime declarations are informative and represent no warranty claim. No warranty if device was opened.