

Mounting box 16DPI

Compact control module with ambient light sensor and motion sensor



Product description

- _ Easy adaptation of suspended lighting fixtures to a sensor solution, just by adding one additional hole
- _ Side entry screw connection in combination with rubber gasket gives a true IP65 protection for industrial applications
- _ Easy remote commissioning with IR interface while sensor is still protected
- _ Tightening torque = 0.6 Nm

ACU MOUNTING BOX 16DPI HIGHBAY



ACU MOUNTING BOX 16DPI HIGHBAY with sensor

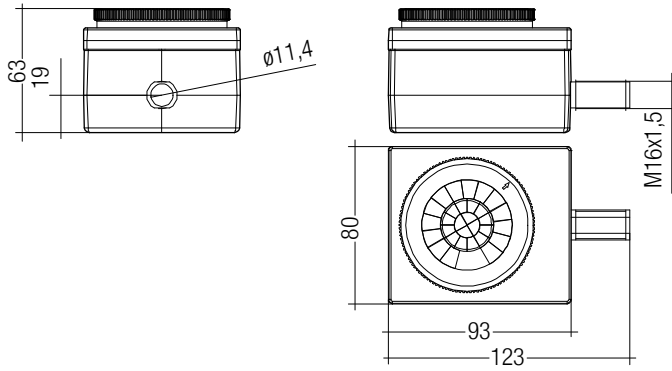
Website

<http://www.tridonic.com/28001568>



Mounting box 16DPI

Compact control module with ambient light sensor and motion sensor



Ordering data

Type	Article number	Packaging, carton	Weight per pc.
ACU MOUNTING BOX 16DPI HIGHBAY	28001568	64 pc(s).	0.105 kg