

## Housing for SLE

Housing



Sample image

### Product description

- \_ Housing for SLE
- \_ Diameter: 35 mm
- \_ Material: Lexan Resin 943
- \_ M3 screws with flat head, max. head diameter of 6 mm and max. torque for fixing is 0.5 Nm

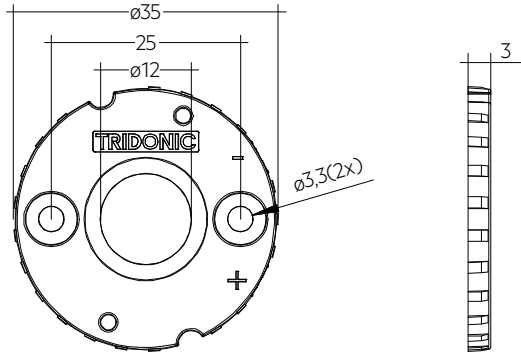
### Website

<http://www.tridonic.com/28003024>

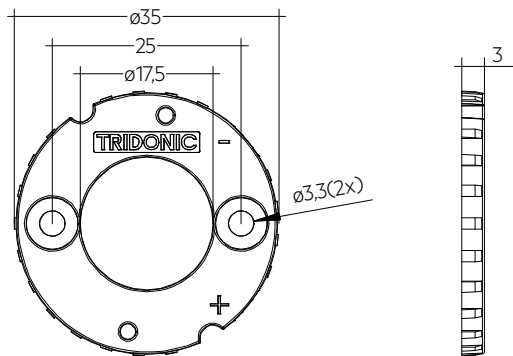


Housing for SLE

Housing



SLE G7 HOUSING LES09



SLE G7 HOUSING LES13/15

Ordering data

Type	Article number	Packaging, bag	Weight per pc.
SLE G7 HOUSING LES 09	28003024	500 pc(s).	0.002 kg
SLE G7 HOUSING LES 13/15	28003026	500 pc(s).	0.002 kg