

EM converterPACK box

BASIC version



Product description

- EM converterPACK box housing is designed for use with emergency luminaries in conjunction with LED modules and LED drivers from Tridonic and other manufacturers.
- _ Suitable for EM powerLED BASIC/ST/PRO 1-4 W Clip-fix and EM converterLED BASIC/ST/PRO in combination with NiCd and LiFePO₄ batteries
 - _ Suitable for EM powerLED BASIC 32W
 - _ The use of an LiFePO₄ battery allows the addition of an SC driver (max. length 150 mm)
 - _ Suitable for SC (stretch compact) housings with a max. length of 150 mm
 - _ M4 screw included to close the housing
 - _ Drivers and batteries not included
 - _ EM = Emergency
 - _ 5 years guarantee (conditions at www.tridonic.com)

Terminals

- _ Terminal block for simple installation
- _ Terminals included: 2 x 5-pole, 1 x 3-pole, 1 x 2-pole

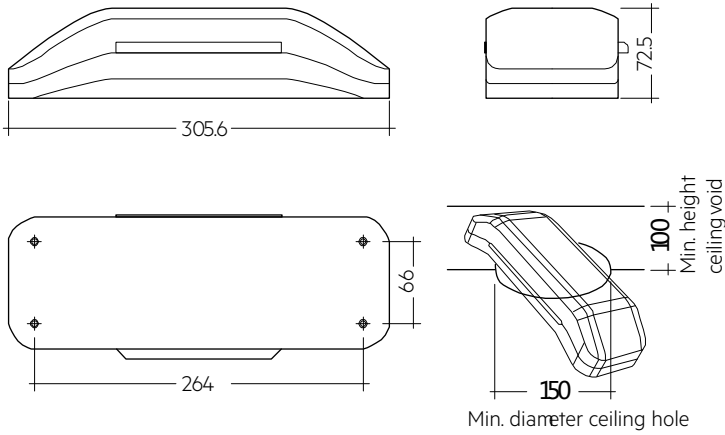
Website

<http://www.tridonic.com/89800814>



EM converterPACK box

BASIC version

**Ordering data**

Type	Article number	Packaging, carton	Packaging, pallet	Weight per pc.	Dimensions L x W x H
EM converterPACK box 5	89800814	5 pc(s).	300 pc(s).	0.4 kg	305.6 x 115.3 x 72.5 mm

Technical data

Type of protection	IP20
Guarantee (conditions at www.tridonic.com)	5 Year(s)
Dimensions L x W x H	305.6 x 115.3 x 72.5 mm