

EM converterPACK BASIC slim

BASIC version



Product description

- _ Self contained emergency lighting LED driver for manual testing
- _ For LED modules with a forward voltage of 10 – 54 V
- _ SELV for output voltage < 60 V DC
- _ Strain relief
- _ Compatible with Tridonic's LLE FLEX modules (ADV, EXC)
- _ Nominal lifetime up to 100,000 h
- _ EM = Emergency
- _ 5 years guarantee (conditions at <https://www.tridonic.com/manufacturer-guarantee-conditions>)

Properties

- _ Non maintained operation
- _ 3 h rated duration
- _ Compatible with all dimmable and non-dimmable constant current LED driver (see data sheet, LED driver compatibility)
- _ 3-pole technology: 2-pole LED module changeover and delayed power switching for the LED driver
- _ Automatic shutdown of output if LED load is out of range
- _ Constant power output
- _ Maximum light output for all LED modules
- _ Electronic charge system
- _ Deep discharge protection
- _ Short-circuit-proof battery connection
- _ Polarity reversal protection for battery provided by 3-pole connector
- _ High-temperature cells
- _ LiFePO4 batteries
- _ 18650 cells
- _ 4 – 8 years design life for LiFePO4 batteries
- _ 5 years guarantee for LiFePO4 batteries (conditions at <https://www.tridonic.com/manufacturer-guarantee-conditions>)
- _ LiFePO4 batteries with Tridonic LiFeGuard
- _ For battery compatibility refer to data sheet, battery selection

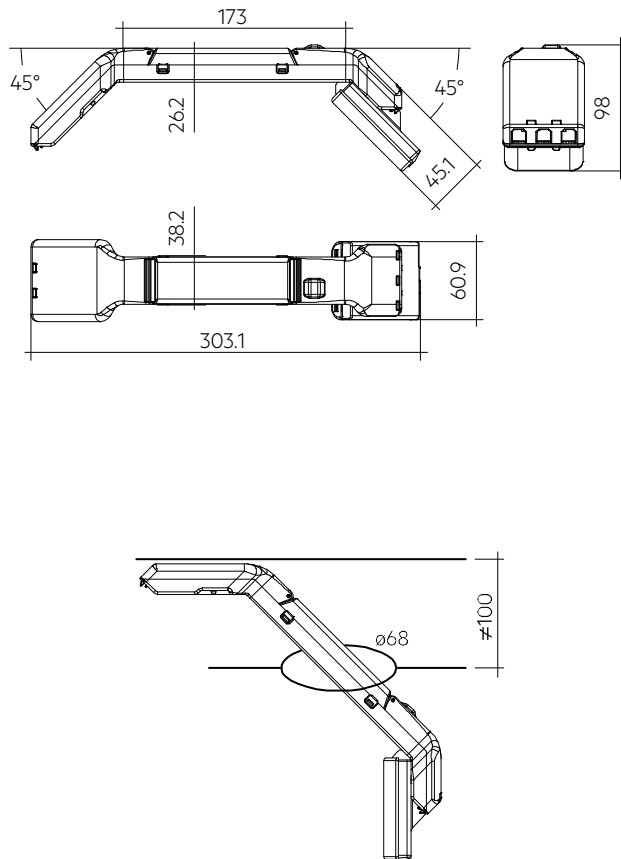
Website

<http://www.tridonic.com/89801155>



EM converterPACK BASIC slim

BASIC version



Ordering data

Type	Article number	Rated duration	Number of cells	Packaging, carton	Packaging, pallet	Weight per pc.	Dimensions L x W x H
EM cPK BASIC 232A LiFePO4 50V	89801155	3 h	3	2 pc(s).	252 pc(s).	0.33 kg	303.1 x 60.9 x 98 mm

Technical data

Rated supply voltage	220 – 240 V
AC voltage range	198 – 264 V
Mains frequency	50 / 60 Hz
Typ. λ (at 230 V, 50 Hz)	0.6C
Forward voltage range LED module	10 – 54 V
Output current	Refer to EM converterLED BASIC data sheet
Starting time	< 0.5 s from detection of emergency event
Overvoltage protection	320 V (for 48 h)
U-OUT (including open- / short-circuit and double load)	60 V
Max. open circuit voltage	60 V
Battery charging time	24 h
Ambient temperature t_a	5 ... +50 °C
Max. casing temperature t_c	75 °C
Mains voltage changeover threshold	According to EN 60598-2-22
Mains surge capability (between L - N)	1 kV
Mains surge capability (between L/N - PE)	2 kV
Type of protection	IP20
Lifetime	up to 100,000 h
Guarantee (conditions at www.tridonic.com)	5 Year(s)
Dimensions L x W x H	303.1 x 60.9 x 98 mm