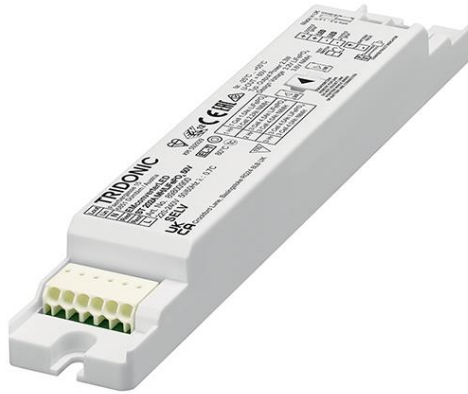


EM converterLED ST MH/LiFePO4 50 V

SELFTEST version



LiFeGuard

Product description

- _ Emergency lighting LED driver with selftest function
- _ For self-contained emergency lighting
- _ For LED modules with a forward voltage of 10 – 54 V
- _ SELV for output voltage < 60 V DC
- _ Low profile casing (21 x 30 mm cross-section)
- _ For luminaire installation
- _ Compatible with Tridonic's LLE FLEX modules (ADV, EXC)
- _ EM = Emergency
- _ Nominal lifetime up to 100,000 h
- _ 5 years guarantee (conditions at <https://www.tridonic.com/en/int/services/manufacturer-guarantee-conditions>)

Properties

- _ Non maintained operation
- _ Self-test as per IEC 62034
- _ 1, 2 or 3 h rated duration
- _ Operating time selectable with plug (duration link)
- _ Compatible with most constant current LED drivers (see data sheet, LED driver compatibility)
- _ 3-pole technology: 2-pole LED module changeover and delayed power switching for the LED driver
- _ Automatic shutdown of output if LED load is out of range
- _ Constant power output
- _ Two-colour status display LED
- _ Electronic charge system
- _ Deep discharge protection
- _ Short-circuit-proof battery connection
- _ Polarity reversal protection for battery provided by 3-pole connector
- _ Automatic detection of the connected battery technology (NiMH or LiFePO4 batteries)
- Self-test:
 - _ Status of the battery
 - _ Status of the LED
 - _ Function test
 - _ Duration test

Batteries

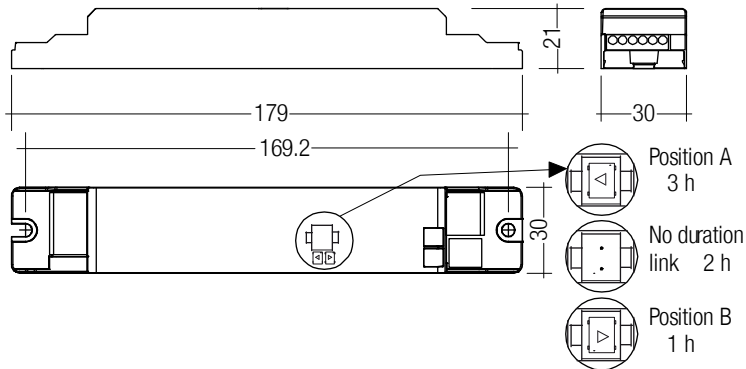
- _ High-temperature cells
- _ NiMH or LiFePO4 batteries
- _ LA or 18650 cells
- _ NiMH: 4 years design life / 2 years guarantee (conditions at <https://www.tridonic.com/en/int/services/manufacturer-guarantee-conditions>)
- _ LiFePO4: up to 12 years design life
- _ 8 years guarantee for LiFePO4 batteries (conditions at <https://www.tridonic.com/en/int/services/manufacturer-guarantee-conditions>)^①
- _ LiFePO4 batteries with Tridonic LiFeGuard
- _ For battery compatibility refer to data sheet, battery selection

① 28005859 - 5-year guarantee.

Website<http://www.tridonic.com/89800900>

EM converterLED ST MH/LiFePO4 50 V

SELFTEST version



Note: LED driver supplied with duration link in 3 hours position. Duration link must be set before battery and mains connection.

Ordering data

Type	Article number	Rated duration	Packaging, carton	Packaging, pallet	Weight per pc.	Dimensions L x W x H
EM converterLED ST 202A MH/LiFePO4 50V	89800900	1/2/3 h	10 pc(s).	1,600 pc(s).	0.07 kg	179 x 30 x 21 mm
EM converterLED ST 202 MH/LiFePO4 50V	89800624	1/2/3 h	10 pc(s).	1,600 pc(s).	0.07 kg	179 x 30 x 21 mm
EM converterLED ST 203 MH/LiFePO4 50V	89800625	1/2/3 h	10 pc(s).	1,600 pc(s).	0.07 kg	179 x 30 x 21 mm
EM converterLED ST 204 MH/LiFePO4 50V	89800626	1/2/3 h	10 pc(s).	1,600 pc(s).	0.07 kg	179 x 30 x 21 mm

Technical data

Rated supply voltage	220 – 240 V
AC voltage range	198 – 264 V
Mains frequency	50 / 60 Hz
Forward voltage range LED module	10 – 54 V
Output current	Refer to data sheet
Starting time	< 0.5 s from detection of emergency event
Overvoltage protection	320 V (for 48 h)
U-OUT (including open- / short-circuit and double load)	60 V
Max. open circuit voltage	60 V
Ambient temperature t_a	-25 ... +55 °C
Max. casing temperature t_c	80 °C
Mains voltage changeover threshold	According to EN 60598-2-22
Mains surge capability (between L - N)	1 kV
Mains surge capability (between L/N - PE)	2 kV
Type of protection	IP20
Rest mode max. number of emergency units	100
Rest mode max. wiring distance	1,000 m
Functional test	Weekly 5s test
Duration test	Yearly 1 h / 2 h / 3 h test
Lifetime	up to 100,000 h
Guarantee (conditions at www.tridonic.com)	5 Year(s)
Dimensions L x W x H	179 x 30 x 21 mm

Approval marks



Standards

EN 61347-1, EN 61347-2-13, EN 61347-2-7, EN 55015, EN 61000-3-2, EN 61000-3-3, EN 61547, EN 60068-2-64, EN 60068-2-29, EN 60068-2-30, EN 62384, according to EN 50172, according to EN 60598-2-22, acc. to EN 62034

Specific technical data

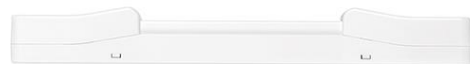
Type	Battery technology [®]	Rated duration	Typ. λ (at 230 V, 50 Hz)	Typ. output power P emergency	Mains current in charging operation			Mains power in charging operation		
					Initial charge	Fast recharge	Trickle charge [®]	Initial charge	Fast recharge	Trickle charge [®]
EM converterLED ST 202A MH/LiFePO4 50V	NiMH	1 h	0.70C	2.3 W	16 mA	18 mA	16 / 11 mA	2.1 W	2.6 W	2.1 / 1.4 W
EM converterLED ST 202A MH/LiFePO4 50V	NiMH	2 h	0.70C	2.3 W	20 mA	20 mA	20 / 11 mA	3.1 W	3.1 W	3.1 / 1.4 W
EM converterLED ST 202A MH/LiFePO4 50V	NiMH	3 h	0.70C	2.3 W	20 mA	20 mA	20 / 11 mA	3.1 W	3.1 W	3.1 / 1.4 W
EM converterLED ST 202A MH/LiFePO4 50V	LiFePO4	1 h	0.65C	2.3 W	15 mA	15 mA	15 / 11 mA	2.1 W	2.1 W	2.1 / 1.4 W
EM converterLED ST 202A MH/LiFePO4 50V	LiFePO4	2 h	0.65C	2.3 W	19 mA	19 mA	19 / 11 mA	2.8 W	2.8 W	2.8 / 1.4 W
EM converterLED ST 202A MH/LiFePO4 50V	LiFePO4	3 h	0.65C	2.3 W	19 mA	19 mA	19 / 11 mA	2.8 W	2.8 W	2.8 / 1.4 W
EM converterLED ST 202 MH/LiFePO4 50V	NiMH	1 h	0.65C	1.5 W	15 mA	16 mA	15 / 11 mA	1.9 W	2.2 W	1.9 / 1.4 W
EM converterLED ST 202 MH/LiFePO4 50V	NiMH	2 h	0.65C	1.5 W	19 mA	19 mA	19 / 11 mA	2.6 W	2.6 W	2.6 / 1.4 W
EM converterLED ST 202 MH/LiFePO4 50V	NiMH	3 h	0.65C	1.5 W	19 mA	19 mA	19 / 11 mA	2.6 W	2.6 W	2.6 / 1.4 W
EM converterLED ST 202 MH/LiFePO4 50V	LiFePO4	1 h	0.65C	1.5 W	15 mA	15 mA	15 / 11 mA	2.1 W	2.1 W	2.1 / 1.4 W
EM converterLED ST 202 MH/LiFePO4 50V	LiFePO4	2 h	0.65C	1.5 W	19 mA	19 mA	19 / 11 mA	2.8 W	2.8 W	2.8 / 1.4 W
EM converterLED ST 202 MH/LiFePO4 50V	LiFePO4	3 h	0.65C	1.5 W	19 mA	19 mA	19 / 11 mA	2.8 W	2.8 W	2.8 / 1.4 W
EM converterLED ST 203 MH/LiFePO4 50V	NiMH	1 h	0.70C	2.5 W	16 mA	18 mA	16 / 11 mA	2.1 W	2.6 W	2.1 / 1.4 W
EM converterLED ST 203 MH/LiFePO4 50V	NiMH	2 h	0.70C	2.5 W	20 mA	20 mA	20 / 11 mA	3.1 W	3.1 W	3.1 / 1.4 W
EM converterLED ST 203 MH/LiFePO4 50V	NiMH	3 h	0.70C	2.5 W	20 mA	20 mA	20 / 11 mA	3.1 W	3.1 W	3.1 / 1.4 W
EM converterLED ST 203 MH/LiFePO4 50V	LiFePO4	1 h	0.70C	3.3 W	19 mA	19 mA	19 / 11 mA	2.8 W	2.8 W	2.8 / 1.4 W
EM converterLED ST 203 MH/LiFePO4 50V	LiFePO4	2 h	0.70C	3.3 W	24 mA	24 mA	24 / 11 mA	3.8 W	3.8 W	3.8 / 1.4 W
EM converterLED ST 203 MH/LiFePO4 50V	LiFePO4	3 h	0.70C	3.3 W	24 mA	24 mA	24 / 11 mA	3.8 W	3.8 W	3.8 / 1.4 W
EM converterLED ST 204 MH/LiFePO4 50V	NiMH	1 h	0.70C	3.5 W	17 mA	20 mA	17 / 11 mA	2.3 W	2.9 W	2.3 / 1.4 W
EM converterLED ST 204 MH/LiFePO4 50V	NiMH	2 h	0.70C	3.5 W	23 mA	23 mA	23 / 11 mA	3.6 W	3.6 W	3.6 / 1.4 W
EM converterLED ST 204 MH/LiFePO4 50V	NiMH	3 h	0.70C	3.5 W	23 mA	23 mA	23 / 11 mA	3.6 W	3.6 W	3.6 / 1.4 W
EM converterLED ST 204 MH/LiFePO4 50V	LiFePO4	1 h	0.70C	4.1 W	19 mA	19 mA	19 / 11 mA	2.8 W	2.8 W	2.8 / 1.4 W
EM converterLED ST 204 MH/LiFePO4 50V	LiFePO4	2 h	0.70C	4.1 W	24 mA	24 mA	24 / 11 mA	3.8 W	3.8 W	3.8 / 1.4 W
EM converterLED ST 204 MH/LiFePO4 50V	LiFePO4	3 h	0.70C	4.1 W	24 mA	24 mA	24 / 11 mA	3.8 W	3.8 W	3.8 / 1.4 W

② 12 h battery charging time for 2 h emergency lighting function when used with LiFePO4 batteries.

③ In case of NiMH batteries: Intermittent charge is used. Value 1 is for 4 min. charge on / Value 2 is for 16 min. charge off. In case of LiFePO4 batteries voltage dependent constant current charging is used.

EMcLED Strain-relief set 240x43x30mm

Accessory



Product description

- _ Optional strain-relief for independent applications
- _ Transforms the LED driver into a fully class II compatible LED driver (e.g. ceiling installation)
- _ Easy and tool-free mounting to the LED driver, screwless cable-clamp channels with strain-relief (240 x 43 x 30 mm)

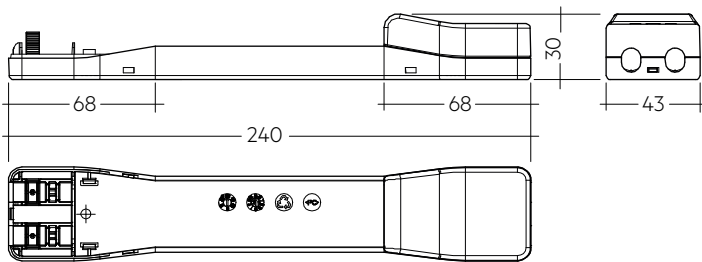
Website

<http://www.tridonic.com/28003813>



Emergency lighting units

EM converterLED



Permissible cable jacket diameter 2.2 – 9 mm

Ordering data

Type	Article number	Packaging, carton	Weight per pc.
EM cLED SR	28003813	10 pc(s).	0.08 kg

Approval marks



Test switch EM3

Accessory



Product description

- _ For connection to the emergency lighting unit
- _ For checking the device function
- _ Plug connection
- _ Dielectric strength: 1,500 V AC for 60 seconds
- _ Lead length 0.55m
- _ Mounting hole 7,0 mm diameter

Website

<http://www.tridonic.com/89899956>



Ordering data

Type	Article number	Packaging, bag	Packaging, carton	Weight per pc.
Test switch EM 3	89899956	25 pc(s).	2,000 pc(s).	0.01 kg

Approval marks



Status indication bi-colour LED EM CON

Accessory



Product description

- _ Two-colour status display LED
- _ Green: system OK, red: fault
- _ Plug connection

Website

<http://www.tridonic.com/89800273>



Ordering data

Type	Article number	Packaging, bag	Packaging, carton	Weight per pc.
LED EM bi-colour, 1.0 m CON	89800273	25 pc(s).	200 pc(s).	0.016 kg
LED EM bi-colour, high brightness HO 1.0 m CON	89800275	25 pc(s).	200 pc(s).	0.016 kg
LED EM bi-colour, 0.6 m CON	89800474	25 pc(s).	200 pc(s).	0.010 kg
LED EM bi-colour, high brightness HO 0.6 m CON	89800475	25 pc(s).	200 pc(s).	0.011 kg
LED EM bi-colour, 0.3 m CON	89800274	25 pc(s).	200 pc(s).	0.007 kg
LED EM bi-colour, high brightness HO 0.3 m CON	89800276	25 pc(s).	200 pc(s).	0.007 kg

Connection cable LiFePO4

Accessory



Product description

- _ Extension cable for LiFePO4 batteries
- _ Cable length 500 mm
- _ 3-pole plug connection

Website

<http://www.tridonic.com/28002461>



Ordering data

Type	Article number	Packaging, bag	Packaging, carton	Weight per pc.
EXTENSION CABLE LiFePO4 500mm	28002461	10 pc(s).	200 pc(s).	0.011 kg

Connection cable NiMH

Accessory



Product description

- _ Connection cable for NiMH batteries
- _ Cable length 500 mm
- _ 2-pole plug connection for batteries and 3-pole plug connection for LED driver

Website

<http://www.tridonic.com/28002462>




Ordering data

Type	Article number	Packaging, bag	Packaging, carton	Weight per pc.
CONNECTION CABLE NiMH 500mm	28002462	10 pc(s).	200 pc(s).	0.01 kg

1. Standards

- EN 61347-1
- EN 61347-2-13
- EN 61347-2-7
- EN 55015
- EN 61000-3-2
- EN 61000-3-3
- EN 61547
- EN 60068-2-64
- EN 60068-2-29
- EN 60068-2-30
- EN 62384
- according to EN 50172
- according to EN 60598-2-22
- according to EN 62034

Meaning of marking 

Double or reinforced insulation for built-in electronic LED drivers. The control gear relies upon the luminaire enclosure for protection against accidental contact with live parts.

1.1 Glow-wire test

according to EN 61347-1 with increased temperature of 850 °C passed.

1.2 Insulation and electric strength testing of luminaires

Electronic LED-drivers can be damaged by high voltage. This has to be considered during the routine testing of the luminaires in production.

According to IEC 60598-1 Annex Q (informative only!) or ENEC 303-Annex A, each luminaire should be submitted to an insulation test with 500 V_{DC} for 1 second. This test voltage should be connected between the interconnected phase and neutral terminals and the earth terminal. The insulation resistance must be at least 2 MΩ.

As an alternative, IEC 60598-1 Annex Q describes a test of the electrical strength with 1,500 V_{AC} (or 1,414 x 1,500 V_{DC}). To avoid damage to the electronic devices this test **must not be conducted**.

2. Thermal details and lifetime

2.1 Lifetime

Average lifetime 50,000 hours under rated conditions with a failure rate of less than 10 %. Average failure rate of 0.2 % per 1000 operating hours.

Expected lifetime with NiMH batteries

EM converterLED ST 202A	tc	65 °C	70 °C	75 °C	80 °C
MH/LiFePO4 50V	lifetime	> 100,000 h	> 100,000 h	99,000 h	70,000 h
EM converterLED ST 202	tc	65 °C	70 °C	75 °C	80 °C
MH/LiFePO4 50V	lifetime	> 100,000 h	> 100,000 h	> 100,000 h	73,000 h
EM converterLED ST 203	tc	65 °C	70 °C	75 °C	80 °C
MH/LiFePO4 50V	lifetime	> 100,000 h	> 100,000 h	99,000 h	70,000 h
EM converterLED ST 204	tc	65 °C	70 °C	75 °C	80 °C
MH/LiFePO4 50V	lifetime	> 100,000 h	> 100,000 h	96,000 h	68,000 h

Expected lifetime with LiFePO₄ batteries

EM converterLED ST 202A	tc	65 °C	70 °C	75 °C	80 °C
MH/LiFePO4 50V	lifetime	> 100,000 h	> 100,000 h	> 100,000 h	> 78,000 h
EM converterLED ST 202	tc	65 °C	70 °C	75 °C	80 °C
MH/LiFePO4 50V	lifetime	> 100,000 h	> 100,000 h	> 100,000 h	> 79,000 h
EM converterLED ST 203	tc	65 °C	70 °C	75 °C	80 °C
MH/LiFePO4 50V	lifetime	> 100,000 h	> 100,000 h	> 100,000 h	> 78,000 h
EM converterLED ST 204	tc	65 °C	70 °C	75 °C	80 °C
MH/LiFePO4 50V	lifetime	> 100,000 h	> 100,000 h	> 100,000 h	> 78,000 h

The emergency lighting LED driver is designed for a lifetime stated above under reference conditions and with a failure probability of less than 10 %.

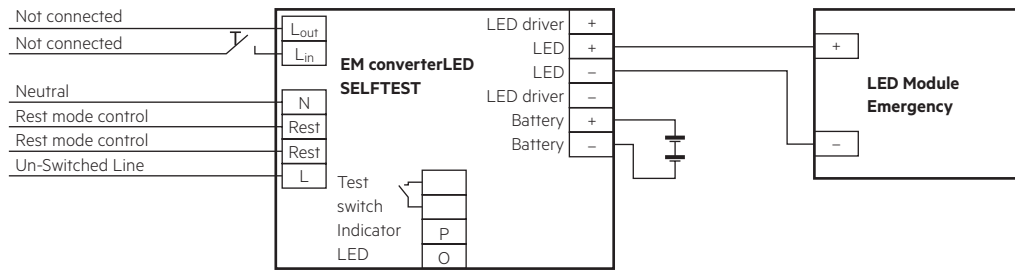
The relation of tc to ta temperature depends also on the luminaire design. If the measured tc temperature is approx. 5 K below tc max., ta temperature should be checked and eventually critical components (e.g. ELCAP) measured. Detailed information on request.

3. Installation / Wiring

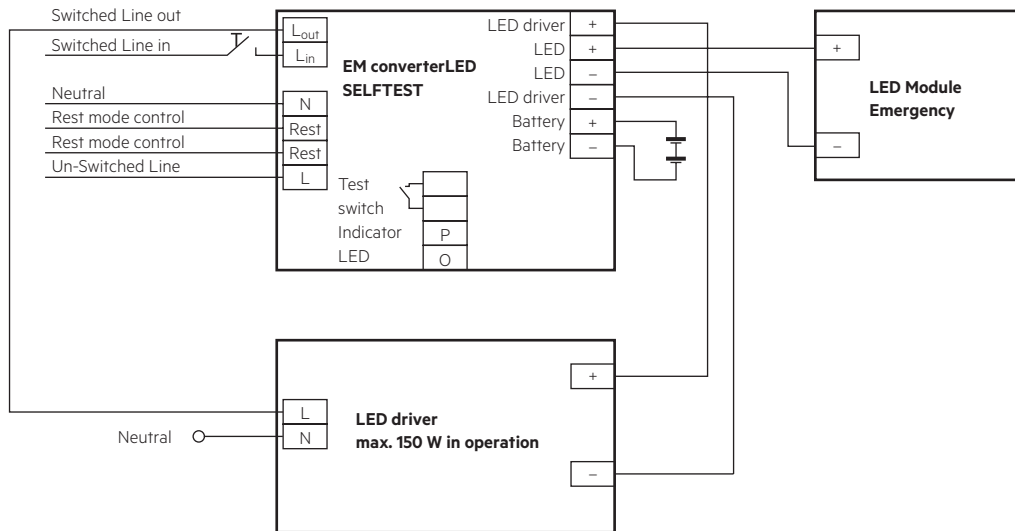
3.1 Wiring diagram

One or more LED modules with a total forward voltage of 10 to 54 V can be connected to the EM converterLED. These LED module(s), marked with "Emergency" are operated in emergency mode from the associated battery. In normal mains mode all LED modules are operated by the mains LED driver.

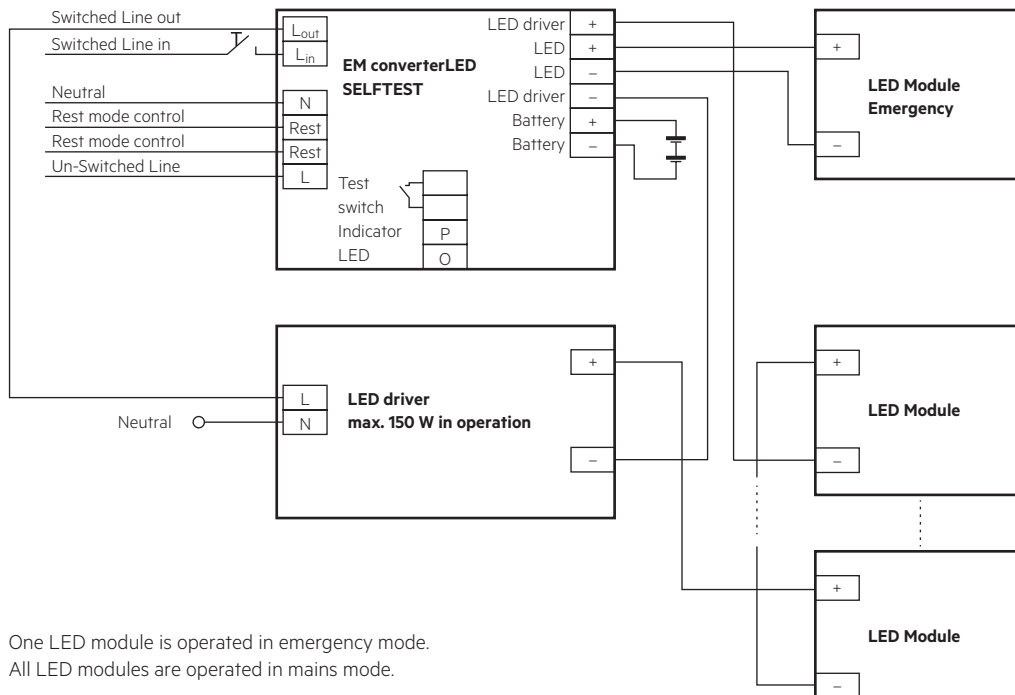
EM converterLED SELFTEST with one LED module for non-maintained emergency operation



EM converterLED SELFTEST with a standard LED driver and one LED module for mains and emergency operation

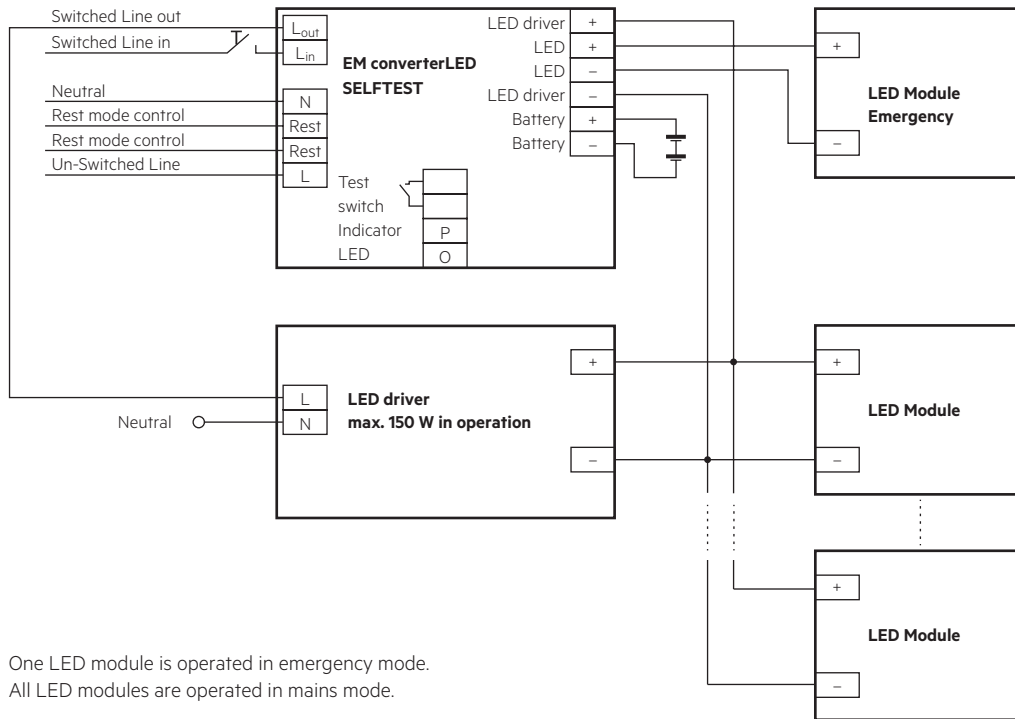


EM converterLED SELFTEST with a standard LED driver and series operation of LED modules



One LED module is operated in emergency mode.
All LED modules are operated in mains mode.

EM converterLED SELFTEST with a standard LED driver and parallel operation of LED modules

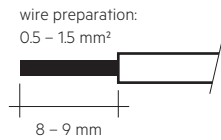


One LED module is operated in emergency mode.
All LED modules are operated in mains mode.

3.2 Wiring type and cross section

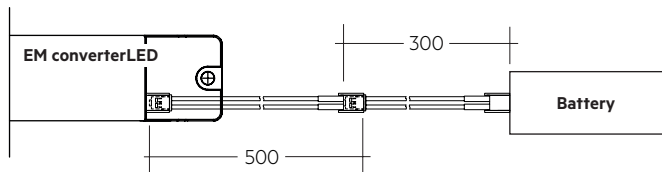
Solid wire with a cross section of 0.5 – 1.5 mm². Strip 8 – 9 mm of insulation from the cables to ensure perfect operation of terminals.

Wiring: LED module/LED driver/supply



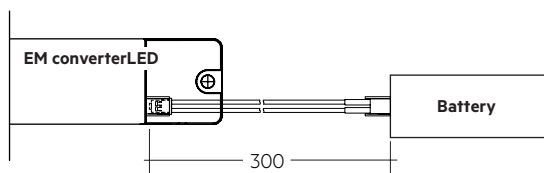
3.3 Battery connection

NiMH: Connection with extension

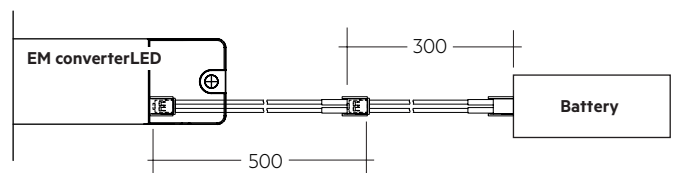


When using an EM converterLED in combination with a NiMH battery, order the CONNECTION CABLE NiMH 500mm separately.

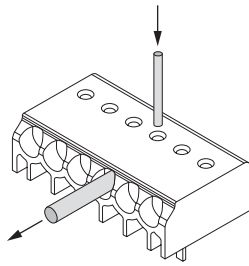
LiFePO₄: Direct connection



LiFePO₄: Connection with extension



3.4 Loose wiring



Loosen wire through twisting and pulling or using a \varnothing 1 mm release tool

3.5 Wiring guidelines

- The LED terminals, battery, indicator LED and test switch terminals are classified as SELV (output voltage < 60 V DC). Keep the wiring of the input terminals separated from the wiring of the SELV equivalent terminals or consider special wiring (double insulation, 6 mm creepage and clearance) when these connections should be kept SELV.
- The output to the LED is DC but has high frequency content, which should be considered for good EMC compliance.
- Separate LED leads from the mains and REST connections and wiring for good EMC performance.
- Maximum lead length on the LED terminals is 3 m. For a good EMC performance keep the LED wiring as short as possible.
- Route the secondary wires (LED module) in parallel to ensure good EMC performance.
- Maximum lead length for the Test switch and Indicator LED connection is 1 m. Separate the test switch and Indicator LED wiring from the LED leads to prevent noise coupling.
- Battery leads are specified with 0.5 mm cross section and a length of 0.8 m
- REST terminals are mains proof.
- Protect the wiring against short circuits to earth (sharp edged metal parts, metal cable clips, louver, etc.) to avoid the damage of the control gear.

To ensure that a luminaire containing LED emergency units complies with EN 55015 for radio frequency conducted interference in both normal and emergency mode it is essential to follow good practice in the wiring layout.

Within the luminaire route the switched and unswitched 50 Hz supply wiring as short as possible and keep it as far away as possible from the LED leads. Through wiring may affect the EMC performance of the luminaire.

Do not exceed the max. length of LED leads to the LED module. Note that the length of the EM converterLED leads to the LED module is added to the length of the leads from the LED driver to the EM converterLED module when considering the max. permitted lead length of the LED driver.

3.6 Maximum lead length

LED	3 m (6 m loop) ^①
Status indication LED	1 m
Batteries	0.8 m

^① Note: The length of LED leads to the LED module must not be exceeded. Note that the length of the EM converterLED leads is added to the length of the leads from the LED driver to the EM converterLED module when considering max. permitted lead length of the LED driver. Leads should always be kept as short as possible.

3.7 Use of different phases

The use of different phases for switched line and unswitched line is allowed. When using different phases, the unswitched line must fail if the switched line fails. This is required to assure correct switching into emergency mode. It can be realised with a relay.

3.8 Compatibility with LLE FLEX modules

The EM converterLED can be used within certain restrictions to operate constant voltage LED loads from the Tridonic LLE FLEX (ADV, EXC) product range. A certain minimum length of the LLE FLEX is required for correct operation.

Detailed information in the download area of the ST and PRO product pages at www.tridonic.com (EM converterLED manual).

4. Mechanical values

4.1 Housing properties

- Casing manufactured from polycarbonate.
- Type of protection: IP20
- Max. torque at the mounting screws: 0.8 Nm

4.2 Mechanical data accessories

LED status indicator

- Bi-colour
- Mounting hole 6.5 mm diameter, 1 – 1.6 mm thickness
- Lead length 0.3 m / 1.0 m
- Insulation rating: 90 °C
- Plug connection

Test switch

- Mounting hole 7.0 mm diameter
- Lead length 0.55 m
- Plug connection

Battery connection

- Plug connection 0.3 m
- Extension 0.5 m

5. Electrical values

5.1 Maximum loading of automatic circuit breakers

Automatic circuit breaker type	B10	B13	B16	B20	C10	C13	C16	C20	Inrush current	
Installation \varnothing	1.5 mm ²	1.5 mm ²	1.5 mm ²	2.5 mm ²	1.5 mm ²	1.5 mm ²	1.5 mm ²	2.5 mm ²	I_{max}	time
EM converterLED ST MH/LiFePO4 50V	90	130	130	130	180	260	260	260	10 A	120 μ s

5.2 Insulation matrix

	Mains	Switched Live	Battery, LED, Test switch, Indicator LED	REST	LED driver (SELV)
Mains	-	•	••	•	••
Switched Live	•	-	••	•	••
Battery, LED, Test switch, Indicator LED	••	••	-	•	•
REST	•	•	•	-	••
LED driver (SELV)	••	••	-	••	-

• Represents basic insulation

•• Represents double or reinforced insulation

When using a non-SELV LED driver insulate the battery, LED, test switch and indicator LED in the luminaire according to the U-OUT rating of the LED driver.

5.3 Typ. LED current/voltage characteristics

The LED current in emergency mode is automatically adjusted by the EM converterLED module based on the total forward voltage of the LED modules connected and the associated battery. The start of the LED in emergency mode does not result in a current peak.

EM converterLED ST 202A MH/LiFePO4 50V

Article number: 89800900

NiMH battery, 3.6 V battery voltage

730 – 790 mA battery discharge current (tolerance)

LiFePO₄ battery, 3.2 V battery voltage

830 – 890 mA battery discharge current (tolerance)

EM converterLED ST 202 MH/LiFePO4 50V

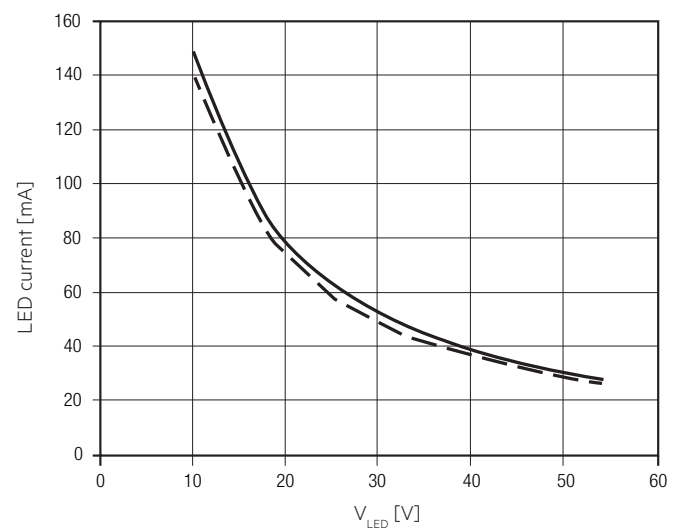
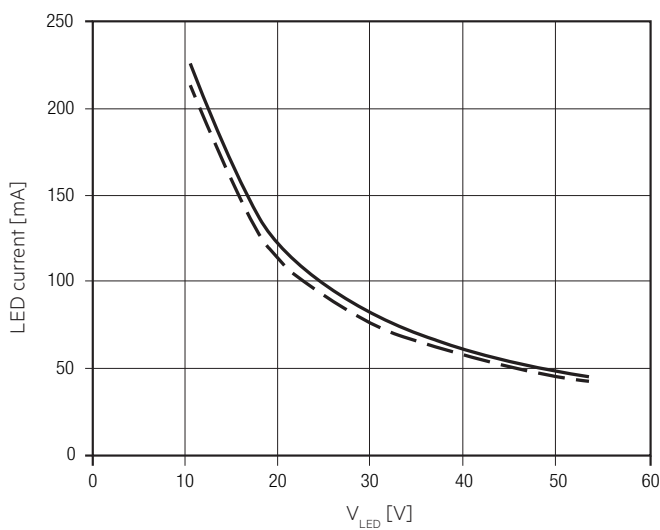
Article number: 89800624

NiMH battery, 2.4 V battery voltage

730 – 790 mA battery discharge current (tolerance)

LiFePO₄ battery, 3.2 V battery voltage

530 – 570 mA battery discharge current (tolerance)

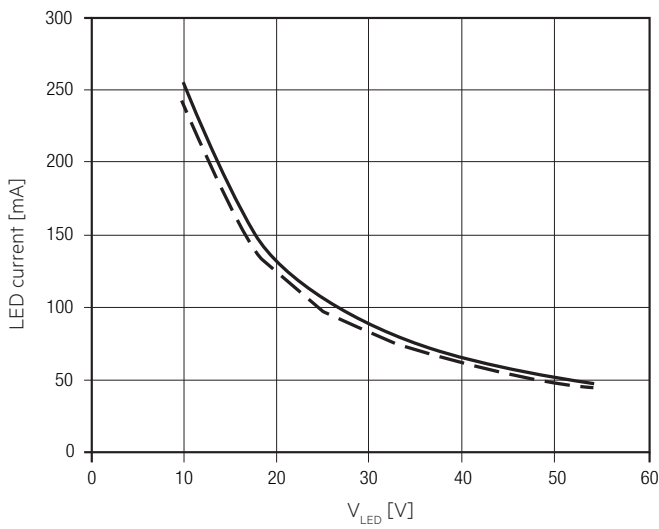


EM converterLED ST 203 MH/LiFePO4 50V

Article number: 89800625

NiMH battery, 3.6 V battery voltage

890 – 960 mA battery discharge current (tolerance)

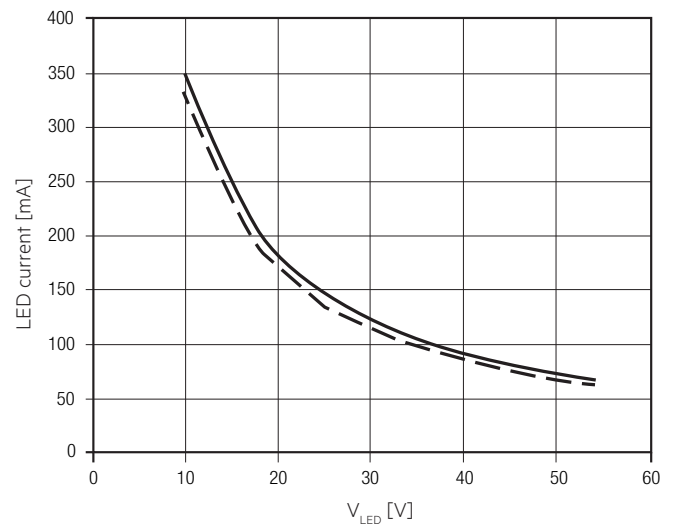


EM converterLED ST 204 MH/LiFePO4 50V

Article number: 89800626

NiMH battery, 4.8 V battery voltage

785 – 845 mA battery discharge current (tolerance)

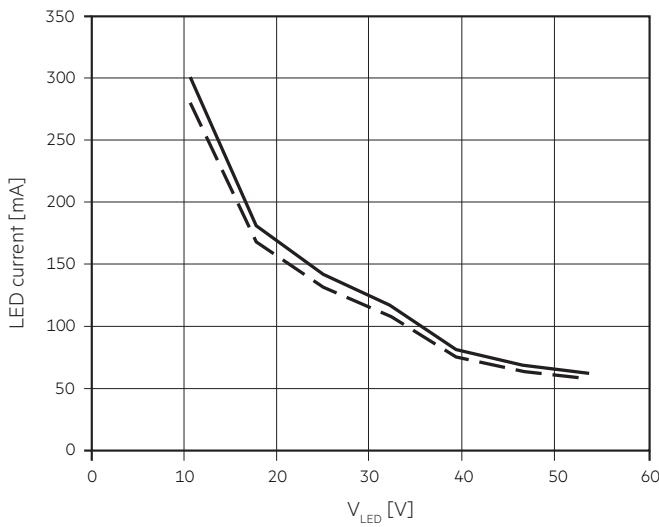


EM converterLED ST 203 MH/LiFePO4 50V

Article number: 89800625

LiFePO₄ battery, 3.2 V battery voltage

1,150 – 1,250 mA battery discharge current (tolerance)

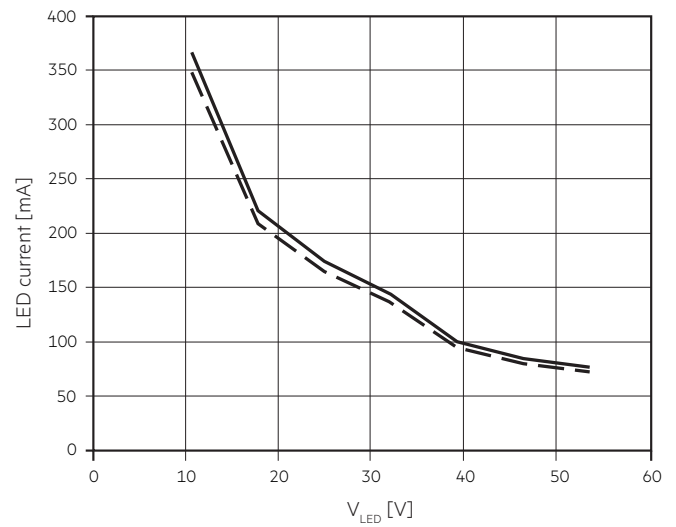




EM converterLED ST 204 MH/LiFePO4 50V

Article number: 89800626

LiFePO₄ battery, 3.2 V battery voltage

1,450 – 1,550 mA battery discharge current (tolerance)



 LED current at nominal battery voltage and min. battery discharge current
 LED current at nominal battery voltage and max. battery discharge current

5.4 LED driver compatibility

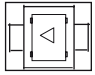
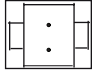
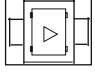
The EM converterLED emergency unit use 3 pole technology and is compatible with most LED drivers on the market, however it is important to check that the rating of the LED driver does not exceed the values specified below:

- The max. allowed output current rating of the associated LED driver is 2 A eff (current rating of the terminals of EM converterLED) and 2.4 A peak (current rating of switching relays of EM converterLED)
- The max. allowed inrush current rating of the associated LED driver is 60 A peak for 1 ms or 84 A for 255 μ s (inrush current rating of switching relay of EM converterLED)
- The max. allowed output voltage of the associated LED driver applied to the EM converterLED output is 450 V (voltage withstand between adjacent contact of the single switching relay of the EM converterLED)
- The max. allowed LED load of the associated LED driver is 150 W in operation. The load must be an LED module.

Check compatibility with the carried out function test (duration at least 5 seconds) individually for each device.

6. Functions

6.1 Duration link selection

Duration	Link position
3 hr	 Position A
2 hr	 No duration link
1 hr	 Position B

Emergency lighting LED driver supplied with duration link in 3 hours position (position A).

The position of the link will only be read on first power up. If it is changed afterwards both the battery and mains supply must be disconnected for 10 seconds to enable the EM converterLED to read the new link position on reconnection of the battery and mains. It will lead to a false battery failure indication if the link is changed after installation without this reset.

6.2 Status indication

System status is indicated by a bi-colour LED.

LED indication	Status	Comment
Permanent green	System OK	AC mode
Fast flashing green (0,1 sec on – 0,1 sec off)	Function test underway	
Slow flashing green (1 sec on – 1 sec off)	Duration test underway	
Red LED on	Load failure	Open circuit / Short circuit / LED failure
Slow flashing red (1 sec on – 1 sec off)	Battery failure	Battery failed the duration test or function test / Battery is defect or deep discharged / Incorrect battery voltage / battery outside operating temp
Fast flashing red (0,1 sec on – 0,1 sec off)	Charging failure	Incorrect charging current
Double pulsing green	Inhibit mode	Switching into inhibit mode via controller
Green and red off	DC mode	Battery operation (emergency mode)

6.3 Commissioning

After installation of the luminaire and initial connection of the mains supply and battery supply to the EM converterLED the unit will commence charging the batteries for the initial charge time. The recharge occurs also if a new battery is connected or the module exits the rest mode condition. The following automatic commissioning duration test is only performed when a battery is replaced and fully charged.

6.4 Testing

Commissioning test

A full commissioning test is carried out automatically after permanent connection of the supply for 5 days. The easy commissioning feature will set the initial test day and time to ensure random testing of units.

Functional test

Functional tests are carried out for 5 seconds on a weekly basis under the control of the Micro controller. Initiation and timing of these tests is set during the commissioning of the luminaire.

Duration test

A full duration test is carried out yearly to check the capacity of the batteries.

For a full description of commissioning and test features please refer to application notes.

Test switch

An optional test switch can be wired to each EM converterLED. This can be used to:

- Initiate a 5 seconds function test: press 200 ms < T < 1 s
- Execute function test as long as switch pressed: press > 1 s
- Reset selftest timer (adjust local timing): press > 10 s

Timer reset functionality

The timer for function and duration test can be set to a particular time of the day by either pressing the test switch for longer than 10 seconds or cycling the unswitched line supply 5 times within 1 minute. The timer adjustment will enable the test start time to be defined manually at time in day when the timer was reset. It will also disable the adaptive test algorithm thereby forcing the unit to perform the test at the same time rather than it being defined by the adaptive algorithm. This function will only work provided the interval time is greater than zero (automatic test mode enabled). The delay timer value set when the unit was commissioned will be reloaded in order to randomise the tests between adjacent units.

The factory programmed delay offset (1 – 28 days) will be loaded after the reset into the delay timer for the function and duration test in order to randomize the tests between adjacent units.

Rest Mode / Inhibit Mode

Emergency operation is automatically started when the mains supply is switched off. If the Rest Mode is activated, the discharging of the battery will be minimized by switching off the LED output. If the Inhibit Mode has been activated before the mains supply is switched off, Rest Mode will be automatically activated if the mains supply is switched off within 15 minutes.

Rest Mode and Inhibit Mode can be initiated by applying a short pulse between 9.5 and 22.5 V_{oc} in amplitude for a period of 150 to 1,000 ms. This pulse shall be applied to terminals marked Rest.

After a mains reset the EM converterLED exits the Rest Mode. Rest Mode and Inhibit Mode can both be disabled by applying a voltage pulse of 1,000 to 2,000 ms to the terminals marked as Rest to send the RE-LIGHT/ Rest Mode / Inhibit Mode are not supported from EM converterLED in case of combination with a 1-cell LiFePO₄ battery and 2-cell NiMH battery.

Pulse/Mode	Standby	Emergency	Rest
150 – 1,000 ms	Inhibit	Rest	–
1,000 – 2,000 ms	Cancel inhibit	–	Re-light

7. Battery data

7.1 Battery selection

EM converterLED ST, 1 / 2 / 3 h

		Type	EM converterLED ST 202A MH/LiFePO ₄ 50V		EM converterLED ST 202 MH/LiFePO ₄ 50V		EM converterLED ST 203 MH/LiFePO ₄ 50V		EM converterLED ST 204 MH/LiFePO ₄ 50V			
		Article no.	89800900		89800624		89800625		89800626			
		Duration	1 h	2/3 h	1 h	2/3 h	1 h	2/3 h	1 h	2/3 h		
Technology and capacity	Design	Number of cells	Type	Article no.							Assignable batteries	
NiMH 4,0 Ah LA cells	stick	1 x 2	Accu-NiMH 2A CON	28002316								
	stick	1 x 3	Accu-NiMH 3A CON	89800441		•			•			
	stick	1 x 4	Accu-NiMH 4A CON	89800442							•	
	stick + stick	2 + 2	Accu-NiMH 4C CON	89800438							•	
LiFePO ₄ 1.5 Ah 18650 cells	stick	1 x 1	Accu-LiFePO ₄ 1A CON	28002317	•	•						
	stick	1 x 2	Accu-LiFePO ₄ 2A CON	28002318		•	•			•		
	stick	1 x 3	Accu-LiFePO ₄ 3A CON	28002320		•						
	stick	1 x 4	Accu-LiFePO ₄ 4A CON	28002322					•			
	stick	1 x 5	Accu-LiFePO ₄ 5A CON	28002325							•	
	stick + stick	2 + 2	Accu-LiFePO ₄ 4C CON	28002324					•			
	stick + stick	3 + 2	Accu-LiFePO ₄ 5C CON	28002327							•	
	side by side	5 x 1	Accu-LiFePO ₄ 5B CON	28002326							•	
	side by side	2 x 1	Accu-LiFePO ₄ 2B CON	28002319		•	•			•		
	side by side	3 x 1	Accu-LiFePO ₄ 3B CON	28002321		•						
	remote box	1 x 3	PACK-LiFePO ₄ 4.5Ah 3 CON	28003806		•						
	remote box	1 x 2	PACK-LiFePO ₄ 3.0Ah 2 CON	28005854			•	•		•		
	remote box	1 x 3	PACK-LiFePO ₄ 4.5Ah 3 CON	28005855		•						
remote box	1 x 4	PACK-LiFePO ₄ 6.0Ah 4 CON	28005856					•				
remote box	1 x 5	PACK-LiFePO ₄ 7.5Ah 5 CON	28005857							•		
remote box	1S1P	PACK-LiFePO ₄ 3.3Ah 1 CON	28005859		•	•			•			

7.2 Battery charge / discharge data

EM converterLED ST, 1 / 2 / 3 h, NiMH

Type	EM converterLED ST 202A MH/LiFePO4 50V		EM converterLED ST 202 MH/LiFePO4 50V		EM converterLED ST 203 MH/LiFePO4 50V		EM converterLED ST 204 MH/LiFePO4 50V											
	89800900		89800624		89800625		89800626											
	1 h	2/3 h	1 h	2/3 h	1 h	2/3 h	1 h	2/3 h										
Battery charge time	Initial charge									20 h								
	10 h		15 h		10 h		15 h		10 h		15 h		10 h		15 h			
	Trickle charge									continuously								
Charging current	110 – 150 mA		280 – 320 mA		110 – 150 mA		280 – 320 mA		110 – 150 mA		280 – 320 mA		110 – 150 mA		280 – 320 mA			
	190 – 230 mA		310 – 350 mA		190 – 230 mA		310 – 350 mA		190 – 230 mA		310 – 350 mA		190 – 230 mA		310 – 350 mA			
	110 – 150 mA / 4 min. 0 mA / 16 min.		180 – 220 mA / 4 min. 0 mA / 16 min.		110 – 150 mA / 4 min. 0 mA / 16 min.		180 – 220 mA / 4 min. 0 mA / 16 min.		110 – 150 mA / 4 min. 0 mA / 16 min.		180 – 220 mA / 4 min. 0 mA / 16 min.		110 – 150 mA / 4 min. 0 mA / 16 min.		180 – 220 mA / 4 min. 0 mA / 16 min.			
Discharge current		730 – 790 mA		730 – 790 mA		730 – 790 mA		730 – 790 mA		770 – 830 mA		770 – 830 mA		785 – 845 mA		785 – 845 mA		
Charge voltage range [®]									0.9 – 1.65 V per cell									
Discharge voltage range									1.65 – 1.05 V per cell									

[®] The battery will be charged below 0.9 V. The EM converterLED will indicate a battery fault.

The emergency lighting LED driver will recharge the battery normally after running the test of 61347-2-7 CL 22.3 (abnormal operating conditions).

EM converterLED ST, 1 / 2 / 3 h, LiFePO₄

Type	EM converterLED ST 202A MH/LiFePO4 50V		EM converterLED ST 202 MH/LiFePO4 50V		EM converterLED ST 203 MH/LiFePO4 50V		EM converterLED ST 204 MH/LiFePO4 50V											
	89800900		89800624		89800625		89800626											
	1 h	2/3 h	1 h	2/3 h	1 h	2/3 h	1 h	2/3 h										
Battery charge time	Initial charge									24 h								
	Fast recharge									24 h								
	Trickle charge									continuously and battery voltage controlled								
Charging current	115 – 155 mA		250 – 290 mA		115 – 155 mA		250 – 290 mA		250 – 290 mA		430 – 470 mA		250 – 290 mA		430 – 470 mA			
	115 – 155 mA		250 – 290 mA		115 – 155 mA		250 – 290 mA		250 – 290 mA		430 – 470 mA		250 – 290 mA		430 – 470 mA			
	115 – 155 mA / 0 mA		250 – 290 mA / 0 mA		115 – 155 mA / 0 mA		250 – 290 mA / 0 mA		250 – 290 mA / 0 mA		430 – 470 mA / 0 mA		250 – 290 mA / 0 mA		430 – 470 mA / 0 mA			
Discharge current		830 – 890 mA		830 – 890 mA		530 – 570 mA		530 – 570 mA		1,150 – 1,250 mA		1,150 – 1,250 mA		1,450 – 1,550 mA		1,450 – 1,550 mA		
Charge voltage range [®]									2.0 – 3.65 V									
Discharge voltage range									3.65 – 2.60 V									

[®] Automatic recharge when battery voltage falls below 3.4 V. Charger off (0 mA) when battery voltage exceeds 3.6 V.

Note: Battery protected against operation at excessive temperatures (charging stopped when battery cell temperature < 0 °C or > 60 °C).

The emergency lighting LED driver will recharge the battery normally after running the test of 61347-2-7 CL 22.3 (abnormal operating conditions).

[®] The battery will not be charged below 2.0 V.

7.3 Accu-NiMH

Capacity 4.0 Ah

International designation	HRMU 19/90
Battery voltage/cell	1.2 V
Cell type	LA
Case temperature range to ensure 4 years design life	+5 °C to +50 °C
Max. short term battery case temperature (shorter than 1 month over the battery lifetime)	70 °C
Max. number discharge cycles	4 cycles per year plus 30 cycles during commissioning
Max. storage time	12 months at -20 °C to +25 °C

7.4 Accu-LiFePO4

Capacity 1.5 Ah

International designation	IFpR 19/66
Battery voltage/cell	3.2 V
Cell type	18650
Case temperature range to ensure 5 years design life	+5 °C to +60 °C
7 years design life	+5 °C to +55 °C
10 years design life	+5 °C to +45 °C
12 years design life	+5 °C to +35 °C
Max. short term battery case temperature (shorter than 1 month over the battery lifetime)	70 °C
Max. number discharge cycles	50 cycles total
Max. storage time	15 months at -20 °C to +35 °C

7.5 Accupack-NiMH

Capacity 4.0 Ah

Battery voltage/cell	1.2 V
Cell type	LAL
Ambient temperature range to ensure 4 years design life tc point	+5 °C to +35 °C +40 °C
Max. short term battery case temperature (shorter than 1 month over the battery lifetime)	70 °C
Max. number discharge cycles	4 cycles per year plus 4 cycles during commissioning
Max. storage time	12 months

7.6 Accupack-LiFePO4

Capacity 1.5 Ah

International designation	IFpR 19/66
Battery voltage/cell	3.2 V
Cell type	18650
Case temperature range to ensure 4 years design life	+5 °C to +45 °C
6 years design life	+5 °C to +35 °C
8 years design life	+5 °C to +25 °C
Max. short term battery case temperature (shorter than 1 month over the battery lifetime)	70 °C
Max. number discharge cycles	50 cycles total
Max. storage time	15 months at -20 °C to +35 °C

Only use Tridonic batteries.

Comply with UN 38.3 and IEC 62133 (safety testing) protected against over charge, over discharge, charging at excessive temperatures, short-circuit and over current.

7.7 Accu / Accupack-LiFePO4

Capacity 3.3 / 6.6 Ah

International designation	IFpR 27/66
Battery voltage/cell	3.2 V
Cell type	26650
Case temperature range to ensure 4 years design life	+5 °C to +45 °C
Max short term battery case tc point temperature (reduced lifetime)	70 °C
Max. number discharge cycles	50 cycles total
Max. storage time	15 months at -20 °C to +35 °C

7.8 Safety



Note: LiFeGuard ensures safe and reliable battery operation by offering a comprehensive three-layered safety system. It addresses the cell, battery pack and emergency driver.

7.8.1 Deep discharge protection

When the battery remains connected without charging for a long period of time after the battery cut off of the driver the battery voltage can still drop. To make sure the cells are not damaged by this voltage drop, the battery protection prevents the battery from further discharge below 2.0 V.

7.8.2 Overcharge protection

If in case of an error or the use of a wrong driver the battery gets overcharged the battery protection will disconnect the battery from the driver at a voltage of 3.9 V. A discharge of the battery is still possible after the protection circuit was triggered to guarantee emergency operation.

7.8.3 Short-circuit protection

In case of a short circuit the battery protection opens the connection to the driver and the output is therefore free of voltage. The output will be reactivated again when the short circuit is removed.

7.8.4 Overtemperature protection

The battery is protected against temporary thermal overheating. If the temperature limit is exceeded the further charging of the battery is no longer possible. The temperature protection is activated below approx. 0 °C and above approx. +60 °C. The discharging of the battery is still possible to guarantee emergency operation. The charging is automatically activated when the temperature is within the range of 0 to 60°C again.



Battery has built in thermal sensor for safe charging. Mount battery away from heat source. Positioning of the thermal sensor see battery data sheet.

7.9 Storage, installation and commissioning

Relevant information about storage conditions, installation and commissioning are provided in the battery datasheets.

Activating NiMH batteries:

In order to activate new batteries, 2-3 full charge-discharge cycles could be needed. This activating process is defined by charging (24 h) and discharging (1/2/3 h) of the batteries. If the first duration test fails, please repeat the test after a 24 hour charging period.

8. Miscellaneous

8.1 Maximum number of switching cycles

EM converterLEDs are tested with 50,000 mains switching cycles of the associated LED driver.

8.2 Battery replacement

After a battery replacement and a subsequent full charge cycle (24 h) a duration test is mandatory to prove that with the new battery the rated duration is achieved.

8.3 Mains-connected transformers

The EM converterLED does not contain mains-connected windings of transformers.

8.4 Additional information

Additional technical information at www.tridonic.com → Technical Data

Lifetime declarations are informative and represent no warranty claim.
No warranty if device was opened.