

**EM converterLED BASIC G2 LiFePo4 50 V Kit**

Ausführung BASIC

**Product description**

- \_ Kit with emergency lighting LED driver, battery for 3 h duration and indication LED
- \_ For self-contained emergency lighting
- \_ For LED modules with a forward voltage of 10 – 54 V
- \_ SELV for output voltage < 60 V DC
- \_ Low profile casing (21 x 30 mm cross-section)
- \_ For luminaire installation
- \_ EM = Emergency
- \_ 5 years guarantee (conditions at <https://www.tridonic.com/en/int/services/manufacturer-guarantee-conditions>)

**Properties**

- \_ Non maintained operation
- \_ 3 h rated duration
- \_ Compatible with all dimmable and non-dimmable constant current LED driver (see data sheet, LED driver compatibility)
- \_ 3-pole technology: 2-pole LED module changeover and delayed power switching for the LED driver
- \_ Automatic shutdown of output if LED load is out of range
- \_ Constant power output
- \_ Maximum light output for all LED modules
- \_ Electronic charge system
- \_ Deep discharge protection
- \_ Short-circuit-proof battery connection
- \_ Polarity reversal protection for battery

**Batteries**

- \_ High-temperature cells
- \_ LiFePO4 batteries with Tridonic LiFeGuard
- \_ 18650 cells
- \_ 4 – 8 years design life for LiFePO4 batteries
- \_ 5 years guarantee for LiFePO4 batteries (conditions at <https://www.tridonic.com/en/int/services/manufacturer-guarantee-conditions>)

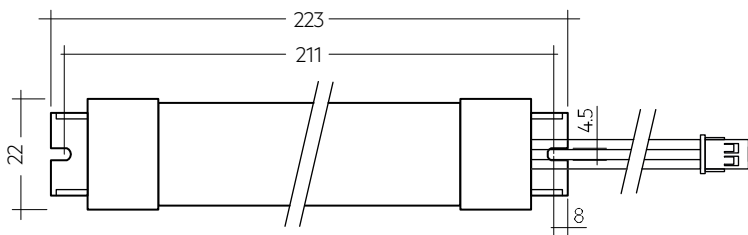
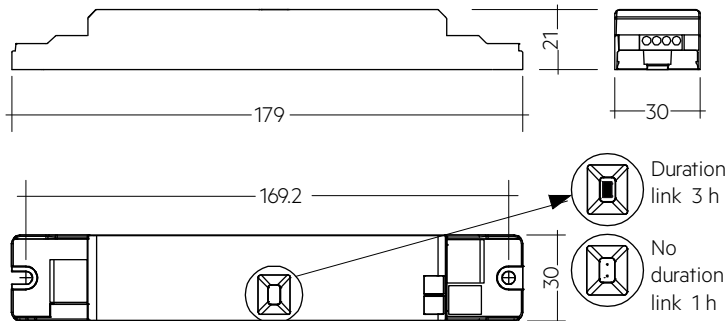
**Website**

<http://www.tridonic.com/89801003>



**EM converterLED BASIC G2 LiFePo4 50 V Kit**

Ausführung BASIC



**Ordering data**

Type	Article number	Rated duration	Packaging, carton	Packaging, pallet	Weight per pc.	Dimensions L x W x H
EMcLED BASIC 202A LiFePO4 50V KIT	89801003	3 h	25 pc(s).	300 pc(s).	0.266 kg	179 x 30 x 21 mm

**Technical data**

Rated supply voltage <sup>①</sup>	220 – 240 V
AC voltage range	198 – 264 V
Mains frequency	50 / 60 Hz
Forward voltage range LED module EM converterLED 204 50V	10 – 54 V
Output current	Refer to data sheet
Starting time	< 0.5 s from detection of emergency event
Overvoltage protection	320 V (for 48 h)
U-OUT (including open- / short-circuit and double load)	60 V
Max. open circuit voltage	60 V
Battery charging time <sup>②</sup>	24 h
Ambient temperature ta	-5 ... +55 °C
Max. casing temperature tc	75 °C
Mains voltage changeover threshold	According to EN 60598-2-22
Mains surge capability (between L - N)	1 kV
Mains surge capability (between L/N - PE)	2 kV
Type of protection	IP20
Lifetime	up to 100,000 h
Guarantee (conditions at www.tridonic.com)	5 Year(s)
Dimensions L x W x H	179 x 30 x 21 mm

① These values are only valid for EM converterLED BASIC. For battery values see data sheet EM converterLED BASIC MH/LiFePO4 50V.

② 12 h battery charging time for 2 h emergency lighting function according to AS 2293.

Status indication green LED EM CON

Accessory



**Product description**

- \_ A green LED indicates that charging current is flowing into the battery
- \_ 0.3 / 1.0 m cable length
- \_ Plug connection

**Website**

<http://www.tridonic.com/89800271>



**Ordering data**

Type	Article number	Packaging, bag	Packaging, carton	Weight per pc.
LED EM green, HO 1.0 m CON	<b>89800271</b>	25 pc(s).	200 pc(s).	0.016 kg