

Driver LCI 220W 800-1200mA flexC NF h28 EXC3 (INDUSTRY)

excite series non-SELV

**Product description**

- _ Constant current built-in LED driver, particularly suitable for industrial applications in tough environments with elevated ambient temperatures such as cold warehouses or factories
- _ For class I luminaires
- _ Output current adjustable between 800 – 1,200 mA
- _ Max. output power 220 W
- _ Suitable for mains voltage peaks (burst/surge) up to 4 kV
- _ Expanded temperature range of -40 ... +80 °C
- _ Nominal lifetime up to 80,000 h (at ta 70 °C)
- _ 5 years guarantee (conditions at <https://www.tridonic.com/manufacture-guarantee-conditions>)

Housing properties

- _ White slim metal casing
- _ Type of protection IP20

Interfaces

- _ Near field communication (NFC)
- _ Terminal blocks: 0° push terminals

Functions

- _ Adjustable output current in 1-mA-steps (NFC)
- _ Intelligent Temperature Guard (overtemperature protection)
- _ Intelligent Voltage Guard (overvoltage and undervoltage monitoring)
- _ Protective features (overtemperature, short-circuit, overload, no-load, input voltage range)
- _ Suitable for emergency escape lighting systems acc. to EN 50172

Benefits

- _ Flexible configuration via companionSUITE (NFC)
- _ Application-oriented operating window for maximum compatibility
- _ Extended vibration damping
- _ Increased safety through robust design and advanced testing under extreme test conditions
- _ High reliability through the selection of exclusive components

Typical applications

- _ For linear/area lighting in industry applications

Website
<http://www.tridonic.com/28003513>


Spotlights



Downlights



Linear



Area



Floor | Wall



Free-standing



Street



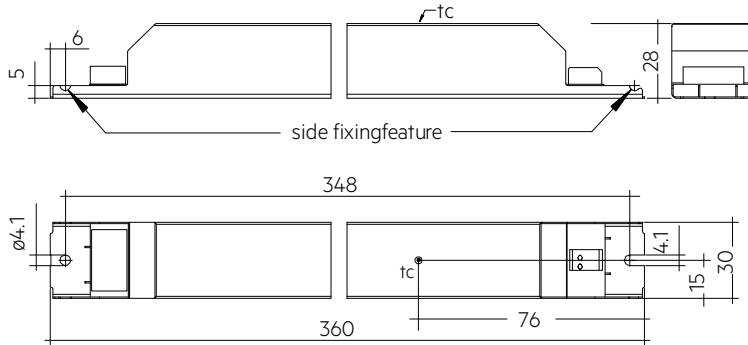
Decorative



High bay

Driver LCI 220W 800-1200mA flexC NF h28 EXC3 (INDUSTRY)

excite series non-SELV

**Ordering data**

Type	Article number	Packaging, carton	Packaging, pallet	Weight per pc.
LCI 220/800-1200/230 flexC NF h28 EXC3	28003513	10 pc(s).	550 pc(s).	0.342 kg

Technical data

Rated supply voltage	220 – 240 V
AC voltage range	198 – 264 V
DC voltage range	176 – 280 V
Mains frequency	0 / 50 / 60 Hz
Overvoltage protection	320 V AC, 48 h
Typ. rated current (at 230 V, 50 Hz, full load) ^{①②}	1,050 mA
Typ. current (220 V, 0 Hz, full load, EOFx dimlevel) ^{①②}	155 mA
Leakage current (at 230 V, 50 Hz, full load) ^{①②}	< 350 μ A
Max. input power	231 W
Typ. efficiency (at 230 V, 50 Hz, full load) ^②	96 %
λ (at 230 V, 50 Hz, full load) ^①	0.97
Typ. input current in no-load operation	114 mA
Typ. input power in no-load operation	0.5 W
In-rush current (peak / duration)	5 A / 3,000 μ s
THD (at 230 V, 50 Hz, full load) ^①	< 10 %
Starting time (at 230 V, 50 Hz, full load) ^①	< 0.5 s
Starting time (DC mode)	< 0.5 s
Switchover time (AC/DC) ^③	< 0.5 s
Turn off time (at 230 V, 50 Hz, full load)	< 30 ms
Output current tolerance ^{①④}	\pm 5 %
Max. output current peak (non-repetitive)	\leq output current + 35 %
Output LF current ripple (< 120 Hz) ^①	\pm 3 %
Output P _{ST_LM} (at full load)	\leq 1
Output SVM (at full load)	\leq 0.4
Max. output voltage (U-OUT)	300 V
Mains surge capability (between L - N)	4 kV
Mains surge capability (between L/N - PE)	4 kV
Surge voltage at output side (against PE)	4.5 kV
Type of protection	IP20
Lifetime	up to 80,000 h
Guarantee (conditions at www.tridonic.com)	5 Year(s)
Dimensions L x W x H	360 x 30 x 28 mm

Approval marks**Standards**

EN 55015, EN 61000-3-2, EN 61000-3-3, EN 61000-4-4, EN 61000-4-5, EN 61347-1, EN 61347-2-13, EN 61547, EN 62384, according to EN 50172, according to EN 60598-2-22

Specific technical data

Type	Output current ^①	Min. output voltage	Max. output voltage	Max. output power	Typ. power consumption (at 230 V, 50 Hz, full load)	Typ. current consumption (at 230 V, 50 Hz, full load)	t _c point max.	Ambient temperature t _a
LCI 220/800-1200/230 flexC NF h28 EXC3	800 mA	140 V	230.0 V	184.0 W	190 W	850 mA	90 °C	-40 ... +80 °C
LCI 220/800-1200/230 flexC NF h28 EXC3	850 mA	140 V	230.0 V	195.5 W	203 W	900 mA	90 °C	-40 ... +80 °C
LCI 220/800-1200/230 flexC NF h28 EXC3	900 mA	140 V	230.0 V	207.0 W	214 W	950 mA	90 °C	-40 ... +80 °C
LCI 220/800-1200/230 flexC NF h28 EXC3	950 mA	140 V	230.0 V	218.5 W	227 W	1,000 mA	90 °C	-40 ... +80 °C
LCI 220/800-1200/230 flexC NF h28 EXC3	1,000 mA	140 V	220.0 V	220.0 W	230 W	1,015 mA	90 °C	-40 ... +80 °C
LCI 220/800-1200/230 flexC NF h28 EXC3	1,050 mA	140 V	209.5 V	220.0 W	230 W	1,015 mA	90 °C	-40 ... +80 °C
LCI 220/800-1200/230 flexC NF h28 EXC3	1,100 mA	140 V	200.0 V	220.0 W	230 W	1,015 mA	90 °C	-40 ... +80 °C
LCI 220/800-1200/230 flexC NF h28 EXC3	1,150 mA	140 V	191.3 V	220.0 W	230 W	1,020 mA	95 °C	-40 ... +80 °C
LCI 220/800-1200/230 flexC NF h28 EXC3	1,200 mA	140 V	183.3 V	220.0 W	230 W	1,020 mA	95 °C	-40 ... +80 °C

① Valid at max. output current setting at t_a = 25 °C.

② Depending on the selected output current.

③ Valid for immediate change of power supply type otherwise the starting time is valid.

④ Output current is mean value.

⑤ The table only lists a number of possible operating points but does not cover each single point. The output current can be set within the total value range in 1-mA-steps.

1. Standards

EN 55015
 EN 61000-3-2
 EN 61000-3-3
 EN 61000-4-4
 EN 61000-4-5
 EN 61347-1
 EN 61347-2-13
 EN 61547
 EN 62384

According to EN 50172 for use in central battery systems

According to EN 60598-2-22 suitable for emergency lighting installations

2. Thermal details and lifetime

2.1 Expected lifetime

Type	Output current	ta	50 °C	55 °C	60 °C	65 °C	70 °C	75 °C	80 °C
			tc	60 °C	65 °C	70 °C	75 °C	80 °C	85 °C
LCI 220/800-1200/230 flexC NF h28 EXC3	≤ 1,100 mA	tc	> 120,000 h	> 120,000 h	> 120,000 h	> 110,000 h	> 80,000 h	> 55,000 h	> 40,000 h
		Lifetime	> 120,000 h	> 120,000 h	> 120,000 h	> 110,000 h	> 80,000 h	> 55,000 h	> 40,000 h
	> 1,100 mA	tc	65 °C	70 °C	75 °C	80 °C	85 °C	90 °C	95 °C
		Lifetime	> 120,000 h	> 120,000 h	> 120,000 h	> 110,000 h	> 80,000 h	> 55,000 h	> 40,000 h

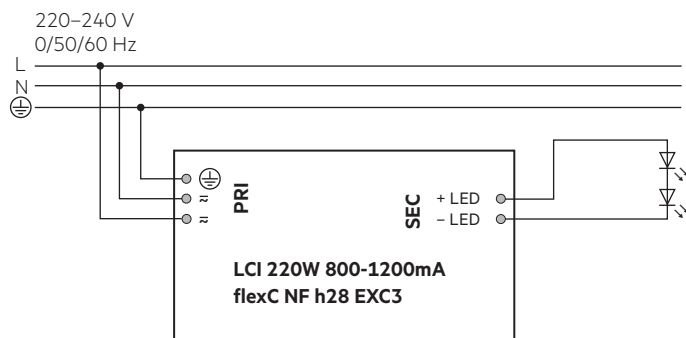
The LED Driver is designed for a lifetime stated above under reference conditions and with a failure probability of less than 10 %.

The relation of tc to ta temperature depends also on the luminaire design.

If the measured tc temperature is approx. 5 K below tc max., ta temperature should be checked and eventually critical components (e.g. ELCAP) measured. Detailed information on request.

3. Installation / wiring

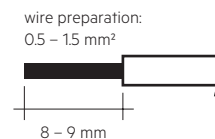
3.1 Circuit diagram



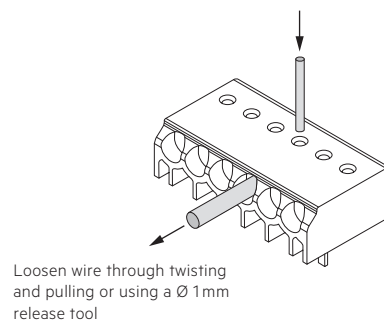
3.2 Wiring type and cross section

Solid wire with a cross section of 0.5 – 1.5 mm². Strip 8 – 9 mm of insulation from the cables to ensure perfect operation of terminals.

LED module/LED Driver/supply



3.3 Loose wiring



3.4 Wiring guidelines

- The cables should be run separately from the mains connections and mains cables to ensure good EMC conditions.
- The LED wiring should be kept as short as possible to ensure good EMC. The max. secondary cable length is 2 m (4 m circuit).
- Secondary switching is not permitted.
- The LED Driver has no inverse-polarity protection on the secondary side. Wrong polarity can damage LED modules with no inverse-polarity protection.
- Wrong wiring of the LED Driver can lead to malfunction or irreparable damage.
- With mains transients of 4 kV can voltage peaks up to 4 kV occur against PE at the output of the LED Driver. This has to be considered concerning the dielectric strength of the LED module (insulation against PE).
- To avoid the damage of the Driver, the wiring must be protected against short circuits to earth (sharp edged metal parts, metal cable clips, louver, etc.).

3.5 Hot plug-in

Hot plug-in is not supported due to residual output voltage of > 0 V. If a LED load is connected the device has to be restarted before the output will be activated again. This can be done via mains reset.

3.6 Earth connection

Suitable for luminaires of protection class I only. The earth connection is conducted as protection earth (PE). The LED Driver can be earthed via earth terminal or metal housing.

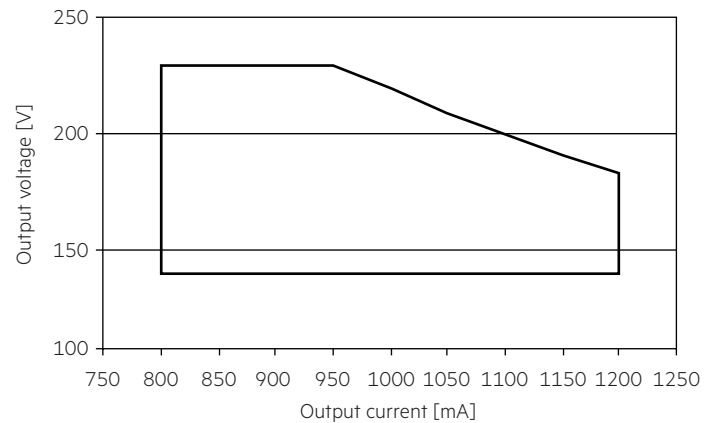
3.7 Replace LED module

1. Mains off
2. Remove LED module
3. Wait for 30 seconds
4. Connect LED module again

Hot plug-in or secondary switching of LEDs is not permitted and may cause a very high current to the LEDs.

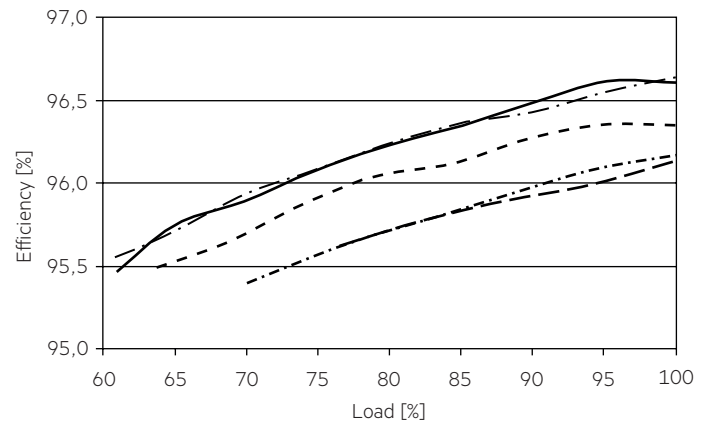
4. Electrical values

4.1 Operating window

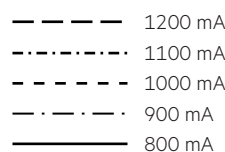
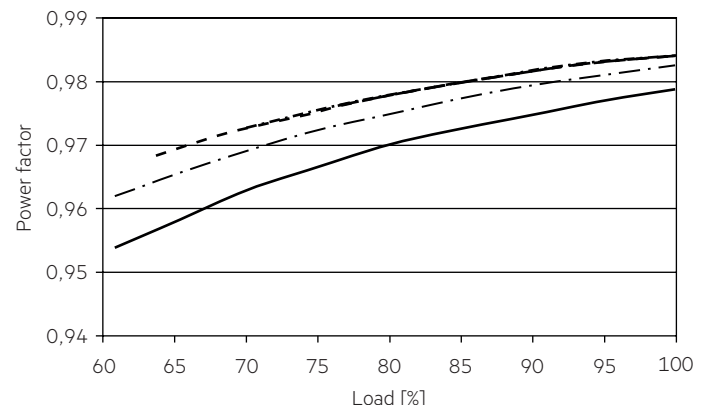


Make sure that the LED Driver is operated within the given window under all operating conditions.

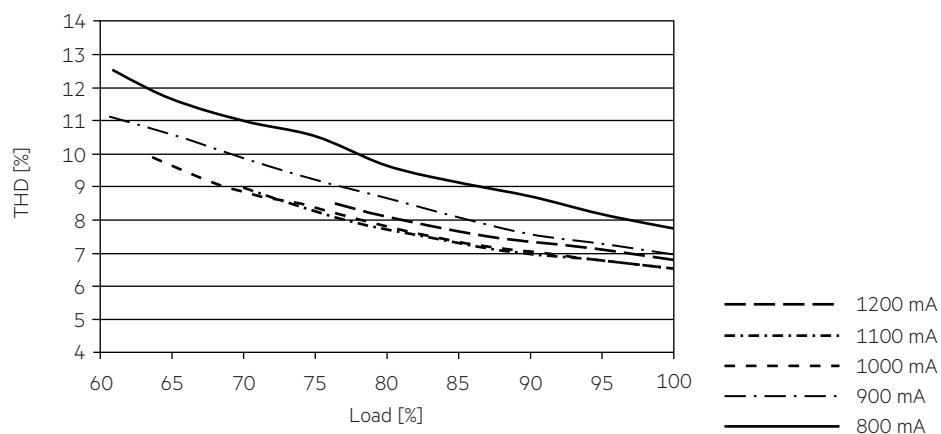
4.2 Efficiency vs load



4.3 Power factor vs load



4.4 THD vs load



100 % load corresponds to the max. output power (full load) according to the table on page 2.

4.5 Maximum loading of automatic circuit breakers

Automatic circuit breaker type	C10	C13	C16	C20	B10	B13	B16	B20	Inrush current	
Installation Ø	1.5 mm ²	1.5 mm ²	2.5 mm ²	4 mm ²	1.5 mm ²	1.5 mm ²	2.5 mm ²	4 mm ²	I_{max}	time
LCI 220/800-1200/230 flexC NF h28 EXC3	11	14	18	22	6	8	11	13	5 A	3,000 µs

This are max. values! Please consider not to exceed the maximum current of the circuit breaker. Calculation uses typical values from ABB series S200 as a reference. Actual values may differ due to used circuit breaker types and installation environment.

4.6 Harmonic distortion in the mains supply (at 230 V / 50 Hz and full load) in %

	THD	3.	5.	7.	9.	11.
LCI 220/800-1200/230 flexC NF h28 EXC3	<10	<10	<5	<5	<3	<3

4.7 Insulation matrix

	Mains	LED	Functional earth
Mains	-	-	•
LED	-	-	•
Functional earth	•	•	-

- Represents basic insulation
- Represents double or reinforced insulation

5. Software / Programming / Interfaces

5.1 Software / programming

With appropriate software and interface different functions can be activated and various parameters can be configured in the LED Driver. The Driver supports the following software and interfaces:

Software / hardware for configuration:

- companionSUITE (deviceGENERATOR, deviceCONFIGURATOR, deviceANALYSER)

Interfaces for data transfer:

- NFC

5.2 Nearfield communication (NFC)

The NFC Interface allows wireless communication with the LED Driver. This interface offers the option to write configuration and to read configuration, errors and events with the companionSUITE. A correct communication between the LED Driver and the NFC antenna can only be guaranteed if the antenna is placed directly on the Driver. Any material placed between the LED Driver and the NFC antenna can cause a deterioration of the communication quality. After programming the device via NFC power up the device one time for one second till the deviceANALYSER can read out the parameters. We recommend the use of following NFC antenna: www.tridonic.com/nfc-readers


NFC is complied with ISO/IEC 15963 standard.

6. Functions

☉ companionSUITE:

NFC

The companionSUITE with deviceGENERATOR, deviceCONFIGURATOR and deviceANALYSER is available via our WEB page:
<https://www.tridonic.com/com/en/products/companionsuite.asp>

Icon	Function	NFC
	LED current	☉

6.1 LED current



The LED output current must be adapted to the connected LED module.
 The value is limited by the current range of the respective device.

6.2 DC operation



In emergency light systems with a central battery supply the DC recognition function uses the input voltage to detect if emergency mode is present. The LED Driver then automatically switches to DC mode. Without DC recognition different and more complex solutions would have to be applied in order to detect emergency mode. DC recognition is integrated in the device as standard. No additional commissioning is necessary for activation.

The LED Driver is designed to operate on DC voltage and pulsed DC voltage.

Light output level in DC operation: 15 %, EOF_I = 0.13

The voltage-dependent input current of Driver incl. LED module is depending on the used load.

The voltage-dependent no-load current of Driver (without or defect LED module) is for:

AC: < 114 mA

DC: < 6 mA

6.3 Intelligent Temperature Guard (ITG)



The intelligent temperature guard protects the LED Driver from thermal overheating by reducing the output power or switching off in case of operation above the thermal limits of the luminaire or ballast. Depending on the luminaire design, the ITG operates at about 5 to 10 °C above tc max.

If temperature threshold values are exceeded, the LED output current is limited.

7. Protective features

7.1 Overtemperature protection

The LED Driver is protected against temporary thermal overheating. If the temperature limit is exceeded the output current of the LED module(s) is reduced. The temperature protection is activated above $t_{c\ max}$. The activation temperature differs depending on the LED load. On DC operation this function is deactivated to fulfill emergency requirements.

7.2 Short-circuit behaviour

In case of a short-circuit at the LED output the LED output is switched off. After restart of the LED Driver the output will be activated again. The restart can either be done via mains reset. The device will recover automatically.

7.3 No-load operation

The LED Driver will not be damaged in no-load operation. The output will be deactivated and is therefore free of voltage. If a LED load is connected, the device has to be restarted before the output will be activated again.

7.4 Overload protection

If the maximum load is exceeded by a defined internal limit, the LED Driver turns off the LED output. After restart of the LED Driver the output will be activated again.

The restart can either be done via mains reset. The device will recover automatically.

8. Miscellaneous

8.1 Insulation and electric strength testing of luminaires

Electronic devices can be damaged by high voltage. This has to be considered during the routine testing of the luminaires in production.

According to IEC 60598-1 Annex Q (informative only!) or ENEC 303-Annex A, each luminaire should be submitted to an insulation test with 500 V_{DC} for 1 second. This test voltage should be connected between the interconnected phase and neutral terminals and the earth terminal. The insulation resistance must be at least 2 MΩ.

As an alternative, IEC 60598-1 Annex Q describes a test of the electrical strength with 1500 V_{AC} (or 1.414 x 1500 V_{DC}). To avoid damage to the electronic devices this test must not be conducted.

8.2 Conditions of use and storage

Humidity: 5% up to max. 85%,
not condensed
(max. 56 days/year at 85%)

Storage temperature: -40 °C up to max. +80 °C

The devices have to be acclimatised to the specified temperature range (ta) before they can be operated.

8.3 Maximum number of switching cycles

All LED Driver are tested with 50,000 switching cycles. The actually achieved number of switching cycles is significantly higher.

8.4 Additional information

Additional technical information at www.tridonic.com → Technical Data

Lifetime declarations are informative and represent no warranty claim. No warranty if device was opened.