

Driver LCA 100W 350–1050mA 2xDT8 Ip PRE
LLE premium system



Product description

- _ NEW: lumDATA (DALI-2 part ext. 251, 252 and 253)
- _ Linear Tunable White system with adjustable colour temperature from 2,700 to 6,500 K at constant luminous flux
- _ Pre-calibrated set to ensure light quality and high colour consistency, consisting of linear low-profile LED driver and 3 to 6 LED modules (700 lm) or 2 to 6 LED modules (1,500 lm) ^①
- _ High colour rendering index CRI > 90
- _ Outstanding system colour tolerance
- _ High system efficacy up to 126 lm/W at $t_p = 65^\circ\text{C}$
- _ Linear LED modules with 700 or 1,500 lm
- _ Dimming range 3 – 100 % without change of colour temperature
- _ Long lifetime of 50,000 h and 5 years system guarantee (conditions at www.tridonic.com)

Interfaces

- _ one4all (DALI DT8, DSI, switchDIM, corridorFUNCTION V2)
- _ colourSWITCH
- _ Push terminals for simple wiring

Functions

- _ Constant light output function (CLO)
- _ colourSWITCH with predefined colours
- _ switchDIM and colourSWITCH with memory function
- _ Power-up fading and fade2zero
- _ Configurable via DALI
- _ Protective features (overtemperature, short-circuit, overload, no-load, reduced surge amplification)
- _ Suitable for emergency escape lighting systems acc. to EN 50172

Typical applications

- _ For linear lighting in office applications
- _ Tunable white application

^① Mixing of components from different sets is not allowed due to the pre-calibration of the system.

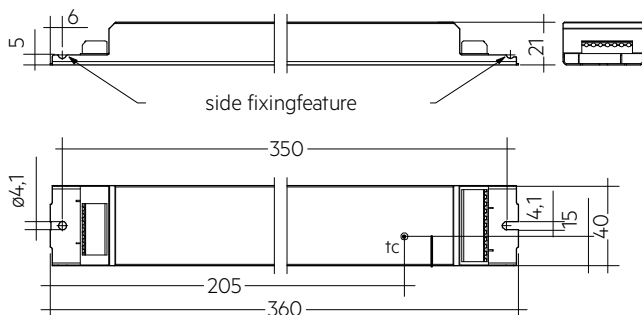
Website

<http://www.tridonic.com/>



Driver LCA 100W 350–1050mA 2xDT8 Ip PRE

LLE premium system



Technical data

Rated supply voltage	220 – 240 V
AC voltage range	198 – 264 V
DC voltage range	176 – 280 V
Mains frequency	0 / 50 / 60 Hz
Overvoltage protection	320 V AC, 48 h
Typ. current (at 230 V, 50 Hz, full load) ^{②③}	185 – 488 mA
Typ. current (220 V, 0 Hz, full load, 15 % dimming level) ^④	87 mA
Leakage current (at 230 V, 50 Hz, full load) ^{②③}	< 500 µA
Typ. efficiency (at 230 V, 50 Hz, full load) ^⑤	90 %
λ (at 230 V, 50 Hz, full load) ^②	> 0.98C
Typ. power consumption on stand-by ^⑥	< 0.25 W
Typ. input current in no-load operation	22 mA
Typ. input power in no-load operation	< 0.5 W
In-rush current (peak / duration)	39 A / 286 µs
THD (at 230 V, 50 Hz, full load) ^②	< 6 %
Starting time (at 230 V, 50 Hz, full load) ^②	< 0.6 s
Starting time (DC mode)	< 0.3 s
Switchover time (AC/DC) ^⑤	< 0.2 s
Turn off time (at 230 V, 50 Hz, full load)	< 20 ms
Output current tolerance ^{②⑥}	± 3 %
Output LF current ripple (< 120 Hz)	± 4 %
Output P_ST_LM (at full load)	≤ 1
Output SVM (at full load)	≤ 0.4
Max. output voltage (U-OUT)	60 V
Dimming range	3 – 100 %
Colour tuning range	2,700 – 6,500 K
Mains surge capability (between L - N)	1 kV
Mains surge capability (between L/N - PE)	2 kV
Surge voltage at output side (against PE)	< 500 V
Type of protection	IP20
Dimensions L x W x H	360 x 40 x 21 mm

Approval marks



② Valid at 100 % dimming level.

③ Depending on the selected output current.

④ Depending on the DALI traffic at the interface.

⑤ Valid for immediate change of power supply type otherwise the starting time is valid.

⑥ Output current is mean value.