

Driver DLA G2 ADV

Engine DLA G2



DLA G2 150mm 1000lm 8x0 ADV EM ECG



DLA G2 200mm 2000lm 8x0 ADV EM ECG

Product description

- _ LED replacement for downlight with compact fluorescent lamps
- _ Complete ready2apply solution comprising module, driver, reflector and trim ring
- _ Tool-free assembly, simple as push and rotate
- _ Spring clip pre-assembled
- _ Ripple current 5 % and UGR19 (specific model only) makes office installation possible
- _ Fit for ceiling cutout 100, 150 and 200 mm
- _ Typ. luminous flux category: 1,000 / 2,000 lm
- _ Approved emergency solution with EM converterLED
- _ High system efficacy up to 111 lm/W
- _ Optional reflector solution with 60° and 90°
- _ Small colour tolerance (MacAdam 4)
- _ Nominal lifetime of 50,000 h (L70/B50)
- _ 5 years guarantee (conditions at

<https://www.tridonic.com/en/int/services/manufacturer-guarantee-conditions>)

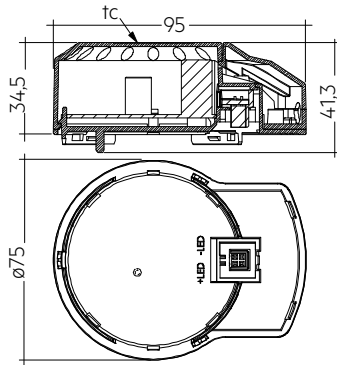
Website

<http://www.tridonic.com/28002237>

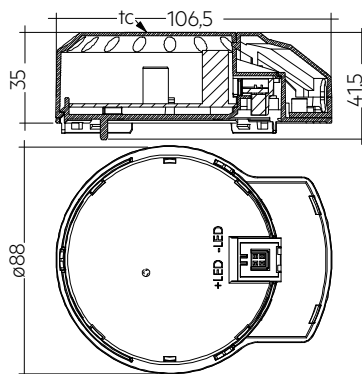


Driver DLA G2 ADV

Engine DLA G2



DLA G2 150mm 1000lm 8x0 ADV EM ECG



DLA G2 200mm 2000lm 8x0 ADV EM ECG

Ordering data

Type	Article number	Packaging, carton	Packaging, pallet	Weight per pc.
DLA G2 150mm 1000lm 8x0 ADV EM ECG	28002237	84 pc(s).	1,260 pc(s).	0.088 kg
DLA G2 200mm 2000lm 8x0 ADV EM ECG	28002239	84 pc(s).	1,008 pc(s).	0.124 kg

Technical data

Rated supply voltage	220 – 240 V
AC voltage range	198 – 264 V
Mains frequency	50 / 60 Hz
Overvoltage protection	320 V AC, 1 h
Leakage current (at 230 V, 50 Hz, full load)	< 0,5 mA
λ over full operating range (min.) ^①	0,9C
Max. output voltage (U-OUT)	50 V
THD (at 230 V, 50 Hz, full load)	< 15 %
Output current tolerance ^②	± 5 %
Typ. current ripple (at 230 V, 50 Hz, full load)	< 5 %
Starting time (at 230 V, 50 Hz, full load)	≤ 0,5 s
Hold on time at power failure (output)	0 s
Ambient temperature ta	-20 ... +40 °C
Ambient temperature ta (at lifetime 50,000 h)	40 °C
Storage temperature ts	-30 ... +80 °C
Type of protection	IP20
Lifetime	up to 50,000 h
Guarantee (conditions at www.tridonic.com)	5 Year(s)

Approval marks

IP20 SELV         

Standards

EN 55015, EN 61000-3-2, EN 61000-3-3, EN 61347-1, EN 61347-2-13, EN 61547, EN 62384

Specific technical data

Type	Output current ^②	Input current (at 230 V, 50 Hz, full load)	Input power (at 230 V, 50 Hz, full load)	Typ. power consumption (at 230 V, 50 Hz, full load)	Output power range	λ at full load ^①	Efficiency at full load ^①	λ over full operating range (min.) ^①	Efficiency at min. load ^③	Max. output voltage (U-OUT)	Max. output peak current at full load ^③	Max. output peak current at min. load ^③	Max. casing temperature tc
DLA G2 150mm 1000lm 8x0 ADV EM ECG	255 mA	0.046 A	10.5 W	10.1 W	7.3 – 8.7 W	0.95	83 %	0.9C	81 %	50 V	280 mA	280 mA	60 °C
DLA G2 200mm 2000lm 8x0 ADV EM ECG	530 mA	0.093 A	21.3 W	20.4 W	15.6 – 18.5 W	0.95	87 %	0.9C	85 %	50 V	584 mA	584 mA	60 °C

① Test result at 230 V, 50 Hz.

② Output current is mean value.

③ The trend between min. and full load is linear.