

DSI SMART Programmer

Accessory for DSI Smart



Product description

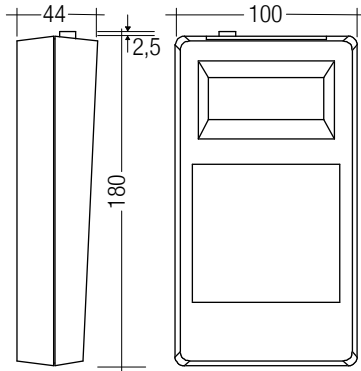
- _ Optional infrared programming unit for DSI-SMART PTM or basicDIM ILD
- _ Settings can be read and modified
- _ Programmable functions such as light level, time delay, P.I.R., bright-out, power-up
- _ 5 years guarantee (conditions at <https://www.tridonic.com/en/int/services/manufacturer-guarantee-conditions>)

Website

<http://www.tridonic.com/>



DSI SMART Programmer
Accessory for DSI Smart



Approval marks

