

DALI USB

DALI interface



Product description

- _ Interface module from USB to a DALI system
- _ For connecting Tridonic software tools
- _ Addressing, programming and parametrising DALI installations and Tridonic devices
- _ Power supply via DALI line and USB interface
- _ 5 years guarantee (conditions at <https://www.tridonic.com/en/int/services/mfr-guarantee-conditions>)

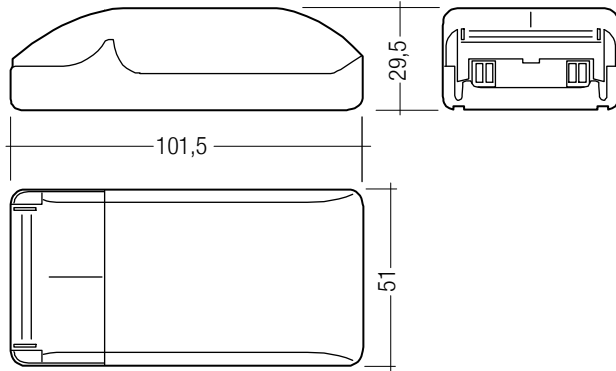
Website

<http://www.tridonic.com/24138923>



DALI USB

DALI interface



Ordering data

Type	Article number	Packaging, carton	Weight per pc.
DALI USB	24138923	50 pc(s).	0.155 kg

Technical data

Supply via	DALI cable and USB interface
Current draw	6 mA from DALI
Input	1 USB (Personal Computer)
Output	DALI
Ambient temperature t_a	0 ... +50 °C
Type of protection	IP20
Dimensions L x W x H	101.5 x 51 x 29.5 mm
Guarantee (conditions at www.tridonic.com)	5 Year(s)

Approval marks



1. Standards

1.1 DALI standard

The DALI USB is designed to control control gear with DALI standard IEC 60929 (DALI V0) and IEC 62386 (DALI V1).

1.2 Glow-wire test

according to EN 60598-1 passed.

2. Common

The interface module DALI USB is used to connect Personal Computers directly to the DALI network.

This means that complex DALI lighting control solutions can be easily addressed and programmed and that the parameters of the ballasts can be changed.

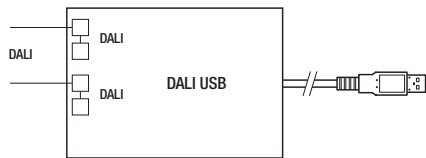
Attention

The DALI USB cannot be used together with winDIM.

3. Installation

- DALI signals are not SELV. Therefore the same procedures should be applied as working with mains voltage.
- Only plastic screws may be used for fastening.
- Individual DALI circuits must not exceed 250mA (depends on the used DALI Powersupply).
- The maximum cable length of the DALI signal wires must not exceed 300m or drop more than 2V on the signal line voltage.

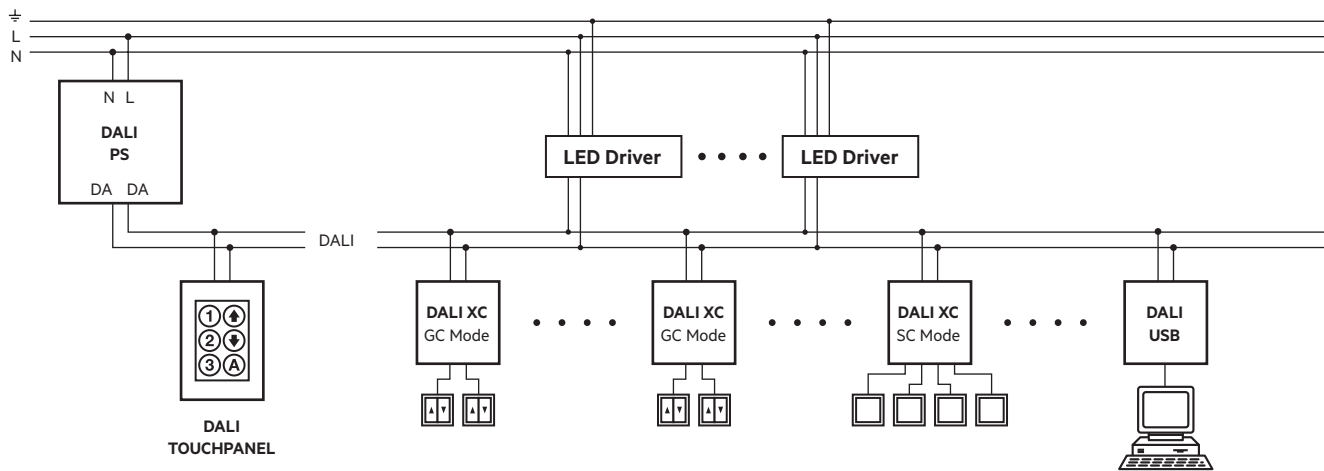
3.1 Connection diagram



Note

The connection to the DALI-line is polarity free.
230 V on the DALI-line can destroy DALI USB!

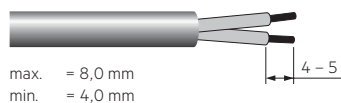
3.2 Wiring



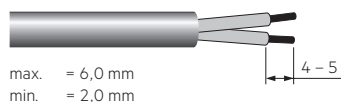
3.3 Wiring type and cross section

For wiring use stranded wire with ferrules or solid wire.
For perfect function of the cage clamp terminals the strip length should be 4 – 5 mm for the input terminal.
The max. torque at the clamping screw (M3) is 0.2 Nm.

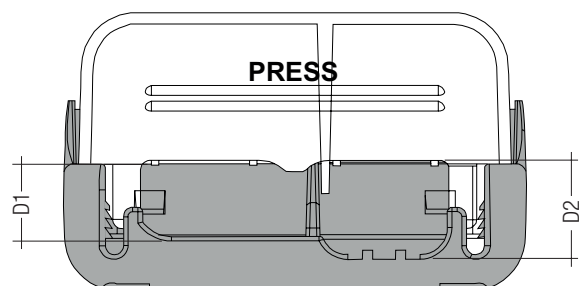
Side D2



Side D1



To get a proper working strain relief it is recommended that the cable jacket diameter of the side D2 is 2 mm bigger than the diameter of the side D1.
(This can vary if the used cable jacket material varies from side D2 to D1 in pinching property).



4. Miscellaneous

4.1 Disposal



According to the WEEE directive return old equipment at appropriate collection facilities.

4.2 Additional information

Additional technical information at www.tridonic.com → Technical Data

Guarantee conditions at www.tridonic.com → Services

Lifetime declarations are informative and represent no warranty claim.
No warranty if device was opened.