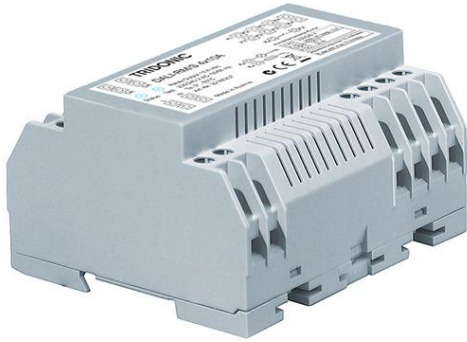


**DALI-RM/S 4x10 A**

DALI actuator



**Product description**

- \_ Switching of 4 independent and potential free contacts via DALI
- \_ Max. switching current per contact: 10 A at ohmic load ( $\cos \Phi = 1$ )
- \_ 1 DALI address per switching contact
- \_ For installation in switching cabinets
- \_ Status LED for indicating the operating status
- \_ Test switch for installation test
- \_ 5 years guarantee (conditions at <https://www.tridonic.com/manufacture-guarantee-conditions>)

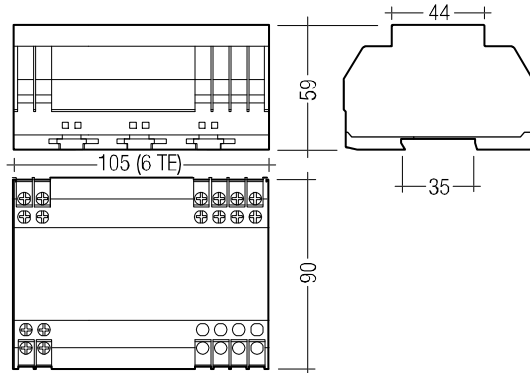
**Website**

<http://www.tridonic.com/22185237>



**DALI-RM/S 4x10 A**

DALI actuator



**Ordering data**

Type	Article number	Packaging, carton	Weight per pc.
DALI-RM/S 4x10A	22185237	1 pc(s).	0.46 kg

**Technical data**

Rated supply voltage	230 – 240 V
Mains frequency	50 / 60 Hz
Power	< 2 W
Typ. rated current (at 230 V, 50 Hz, all relay contacts open)	10.6 mA
Typ. rated current (at 230 V, 50 Hz, all relay contacts closed)	20.1 mA
Ambient temperature $t_a$	0 ... +50 °C
Max. casing temperature $t_c$	75 °C
Storage temperature $t_s$	-20 ... +70 °C
Humidity ①	5 ... max. 85 %
Type of protection	IP20
Guarantee (conditions at <a href="http://www.tridonic.com">www.tridonic.com</a> )	5 Year(s)

**Approval marks**



**Specific technical data**

Type	Inputs			Output, relay		
	DALI control input	Current draw	Number of DALI addresses	Relay, floating	Switching output (at 125 V DC max.) ②	Switching output (at 240 V AC max.) ②
<b>DALI-RM/S 4x10A</b>	1	2 mA from DALI	4 (1 per contact)	4 (make contact)	30 W (ohmic load)	2,000 W / 10 A (ohmic load)

① Not condensed (max. 56 days/year at 85 %).

② More loads see data sheet.

## 1. Standards

### 1.1 DALI standard

DALI-RM/S 4x10A is designed to control control gear with DALI standard IEC 60929 (DALI V0).

### 1.2 Glow-wire test

according to EN 60598-1 passed.

## 2. Common

### 2.1 Functional and planning instructions

DALI-RM/S 4x10A enables switching of 4 independent switching loads via DALI. Lamps and other electronic users with a mains voltage of 230/240 V<sub>ac</sub> can be integrated in a DALI circuit.

- For each DALI scene the 4 contact positions "opened / closed" can be defined separately.
- Default parameters (not changeable):
  - Control value  $\geq$  DALI DAP 2: contact closes
  - Control value  $\leq$  DALI DAP 1: contact opens
  - Command „Recall min. Level“ contact opens
  - Command „Recall max“ contact closes (permits the identification with the „localisation“ function on masterCONFIGURATOR)
- It is not permitted to connect tapped transformers (e.g. autotransformers) or 3-phase loads (e.g. 3-phase motors) to the DALI RM/S 4x10A because of the risk of a mains short circuit
- Use only in electrical installations that meet EMC regulations.
- No monitoring of loads

### 2.2 Status LED and momentary-action test switch

The status LED indicates the operating status of the device and helps to locate faults:

on, flickering occasionally	OK
off, flickering at (4 second) intervals	fault in DALI line (break or short-circuit)
off	no mains voltage
flashing steadily (on/off every 0,5 s)	test mode
red, intermittently flickering	error at output side (interruption or short circuit)
red, flickering at regular intervals every 4s	error on DALI line (interruption or short circuit)

### 2.3 Test mode

If the momentary-action test switch is pressed for 1 to 5 seconds, all luminaires connected will be switched on. Each time the test switch is subsequently pressed for 1 to 5 seconds, the luminaires are alternately switched on and off. In this way it is possible to check the wiring and operation of the DALI-RM/S 4x10A. The test mode is ended by pressing the momentary-action test switch for more than 5 seconds.

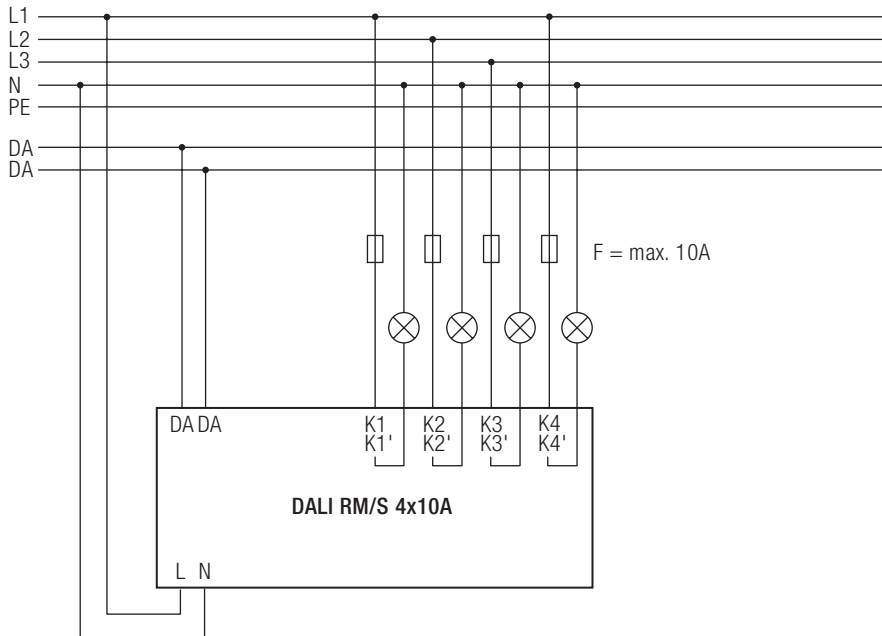
### 2.4 Load specification (designed for 30,000 switching operations)

- Light bulb: 2,000 W
- High-voltage halogen lamps: 2,000 W
- Fluorescent lamps uncompensated: 1,000 W
- Fluorescent lamps parallel compensated: 920 W / 100  $\mu$ F
- Fluorescent lamps duo circuit: 2 x 1,000 W
- Compact fluorescent lamps uncompensated: 800 W
- Compact fluorescent lamps parallel compensated: 800 W / 100  $\mu$ F
- Low-voltage halogen lamps to magnetic transformers: 400 VA
- Electronic ballasts:
  - as mentioned in manufacturer data for electronic ballasts for automatic circuit breaker type B/10 A
- HID lamps: 800 W / 100  $\mu$ F

### 3. Installation

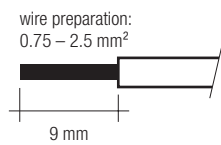
- Mounting of switching and distribution cabinets on cap rail (35 mm)
- The DALI interface is not SELV.  
The installation instructions for mains voltage therefore apply.
- The maximum cable length of the DALI control signal (for a cable cross-section of 1.5 mm<sup>2</sup>) must not be exceeded 300 m or 2 V voltage decrease

#### 3.1 Wiring diagram



#### 3.2 Wiring type and cross section

The wiring can be solid wire stranded wire with end sleeve with a cross-section of 0.75 mm<sup>2</sup> to 2.5 mm<sup>2</sup>.



### 4. Miscellaneous

#### 4.1 Disposal



According to the WEEE directive return old equipment at appropriate collection facilities.

#### 4.2 Additional information

Additional technical information at [www.tridonic.com](http://www.tridonic.com) → Technical Data

Guarantee conditions at [www.tridonic.com](http://www.tridonic.com) → Services

Lifetime declarations are informative and represent no warranty claim.  
No warranty if device was opened.