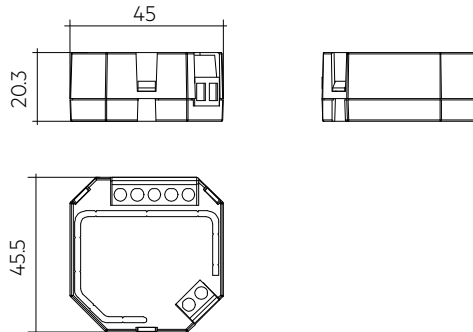


DALI RM CWM 30 4A 1CH AC

DALI-2 single channel relay

**Ordering data**

Type	Article number	Packaging, carton	Weight per pc.
DALI RM CWM 30 4A 1CH AC	28006053	200 pc(s).	0.042 kg

Technical data

Rated supply voltage	220 – 240 V
Mains frequency	50 / 60 Hz
Typ. power consumption on stand-by	< 0.5 W
Current consumption of DALI	3 mA
Input	DALI
Output	active / hot contact
Relay type	non-latching, normally open
Relay switching AC	240 V / 4 A
Relay switching cycles ^①	300,000
Ambient temperature t_a	-25 ... +50 °C
t_c	75 °C
Storage temperature t_s	-40 ... +85 °C
Humidity	10 ... 85 % not condensed
Starting time	< 1 s
Type of protection	IP20
Protection class	Protection class II
Mounting	DIN rail mounting, 35 mm
Housing material	Polycarbonate
Housing colour	RAL 9016 (white)
Guarantee (conditions at www.tridonic.com)	5 Year(s)
Dimensions L x W x H	45 x 45.5 x 20.3 mm

Approval marks**Standards**

EN 60669-2-1, EN 61000-3-2, EN 61000-3-3, EN 60669-1, EN 62386-101, EN 62386-102, EN 62386-208

① One cycle means close and open.

1. Standards

EN 60669-2-1
EN 61000-3-2
EN 61000-3-3
EN 60669-1
EN 62386-101
EN 62386-102
EN 62386-208

1.2 Glow wire test

according to EN 61347-2-11 passed for temperatures up to 650°C.

2. Common

- Loads that do not have a DALI input can be integrated in the DALI circuit. The loads can be switched on and off via DALI.

3. Installation

3.1 Safety instructions

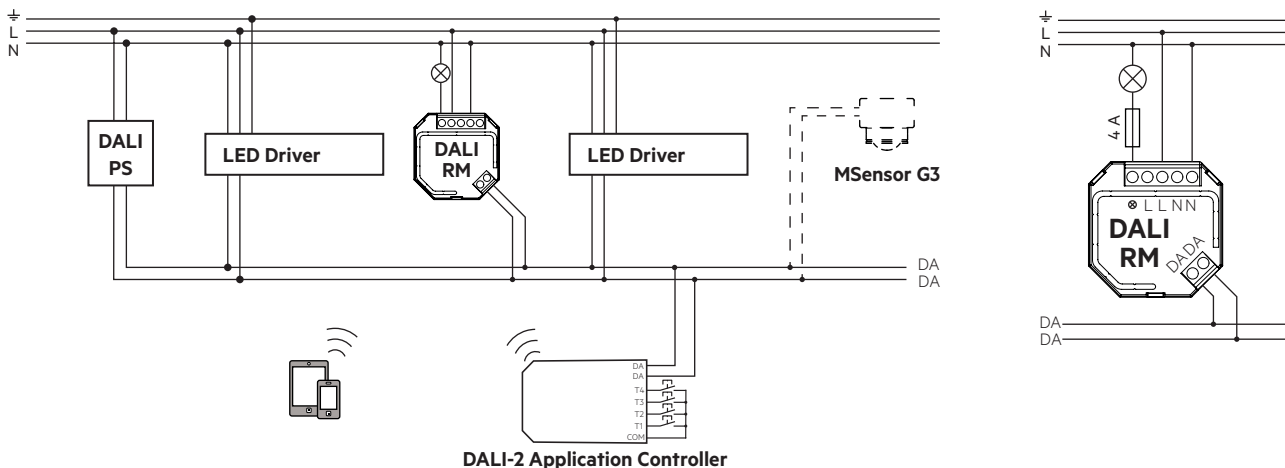
- Do not connect the device to DC (direct current) voltage, as this will damage the device.
- Do not create a short circuit on the secondary side, as this will damage the device.
It is recommended to connect the device with a residual current circuit breaker (RCD) or a circuit breaker with a rated value not higher than 4 A to the secondary side to protect the device in case of a short circuit.
- Installation may only be carried out by qualified specialist staff.
- Active/hot contact, connected load and device will be powered by the same line.
- Do not switch any external voltages or other circuits.
- The power supply must be switched off before handling the device.
- The relevant safety and accident prevention regulations must be observed.
- DALI signals are not SELV. Therefore the same procedures should be applied as working with mains voltage.

3.2 Area of application

The device may only:

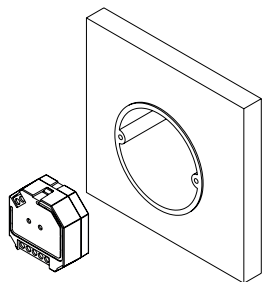
- be used for the applications specified,
- for safe installation in dry, clean environment and
- be installed in such a way that access is only possible using a tool.

3.3 Connection diagrams



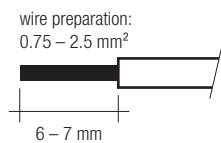
3.4 Installation

Installation in flush-mounting box



3.5 Wiring type and cross section

For wiring use stranded wire with ferrules or solid wire.



3.6 Note for Application Controller

Device is developed according to DALI Standard EN 62386-208 and is DALI device Type 7, control gear – Switching function.

4. Miscellaneous

4.1 Disposal of equipment



Return old devices in accordance with the WEEE directive to suitable recycling facilities.

4.2 Conditions of storage and use

Humidity: 10 % up to max. 85 %, not condensed

Storage temperature: -40 °C up to max. +85 °C

The devices have to be acclimatised to the specified temperature range (ta) before they can be operated.