

DALI MSensor G3 SFI 30 16DPI CR WH

DALI-2 multi-sensor

**Product description**

- _ Sensor developed to work with the latest DALI specification
- _ Monitoring of ambient light and occupancy detection
- _ Designed for industrial, warehouse and retail applications, the PIR High-Bay CR 16m provides reliable motion detection at mounting heights of up to 16 meters
- _ Rectangular detection area is optimized for warehouse and corridor environments, ensuring precise coverage where it matters most
- _ High performance in corridor applications achieved using single PIR engine in combination with the special optic
- _ The innovative mechanical design allows the optics to be rotated by 90°, enabling optimal adjustment of the detection area orientation depending on customer use case and lighting fixture position
- _ Optional shutter accessories offer the flexibility to restrict detection zones, making it ideal for entry areas or narrow corridors
- _ The front housing is engineered for enhanced ingress protection, achieving an IP65 rating for superior durability in demanding conditions
- _ Remote control interface allowing infrared remote control interaction
- _ Individual adjustment of the parameters
- _ Power supply via DALI line
- _ Mounting ring and gasket included to reach IP65 protection
- _ Built-in sensor with double insulation
- _ Double terminals for through wiring
- _ 5 years guarantee (conditions at <https://www.tridonic.com/en/int/services/manufacturer-guarantee-conditions>)

Housing properties

- _ Casing: polycarbonate, white
- _ Type of protection up to IP65

Note

- _ Tridonic DALI MSensor G3 family sensors are developed according to DALI Standard EN 62386-101 Ed.2, also known as DALI-2. To be able to use the sensor in such installation, an application controller is necessary.
- _ List of approved application controller can be found on our WEB page in "Downloads" in document "Application_controllers_MSensor_G3.pdf".

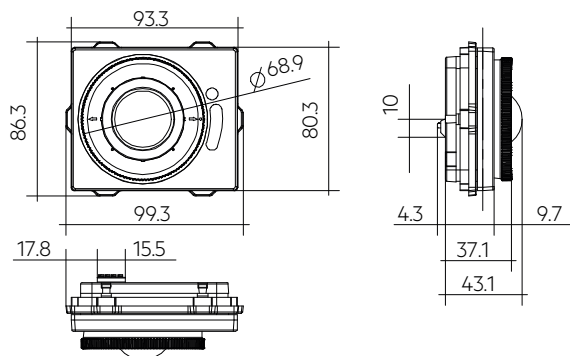
Website

<http://www.tridonic.com/28005996>



DALI MSensor G3 SFI 30 16DPI CR WH

DALI-2 multi-sensor

**Ordering data**

Type	Article number	Suitable for	Packaging, carton	Weight per pc.
DALI MSensor G3 SFI 30 16DPI CR WH	28005996	Luminaire installation	10 pc(s).	0.114 kg

Technical data

Supply via	DALI cable
Supply voltage ^①	9.5 – 22.5 V
Current consumption (no LED)	max. 8 mA
Current consumption (with LED)	max. 9 mA
Supported operating modes	0 or 128 (default)
Mounting height	8 – 16 mm
Mounting opening	70 x 83 mm
Housing thickness of the luminaire	0.75 – 4 mm
Detection angle for PIR detection angle "horizontal"	92°
Detection angle for PIR detection angle "vertical"	45°
Detection range for light measurement ^②	0.5 – 2,000 lx
Min. temperature difference between ambient temperature and detected object	± 4 °C
Ambient temperature t_a	-20 ... +50 °C
t_c point	60 °C
Storage temperature t_s	-25 ... +60 °C
Dimensions L x W x H	99.3 x 86.3 x 47.4 mm
Housing material body	PC polycarbonate
Housing material lens	PE polyethylene
Housing colour body	White (similar to RAL 9016)
Housing colour lens	White
Type of installation	Fitted in luminaires
Type of protection ^③	Up to IP65
Guarantee (conditions at www.tridonic.com)	5 Year(s)

Approval marks**Standards**

EN 61347-2-11, EN 61347-1, EN 61547, EN 55015, EN 62386-101, EN 62386-103, EN 62386-301, EN 62386-303, EN 62386-304, EN 62386-351

① Uin acc. IEC 62386-101.

② The measured value at the sensor head corresponds to approx. 3 to 6,300 lux on the surface measured.

③ Depending on the installation type up to IP 65 for more details see data sheet.

REMOTECONTROL IR6

Accessory



Product description

- _ Optional infra-red remote control
- _ Switching on and off (On/Off button)
- _ Dimming (Up/Down button)
- _ Activation of automatic lighting control (Automatic button)
- _ Setting the threshold control point (Set button)
- _ IR range up to 20 m

Website

<http://www.tridonic.com/28000647>



Ordering data

Type	Article number	Dimensions L x W x H	Packaging, carton	Weight per pc.
REMOTECONTROL IR6	28000647	86.5 x 40.5 x 7.2 mm	500 pc(s).	0.019 kg

Shading Kit

Accessory



Product description

- _ Two different shutters give the ability to reduce the detection area for Narrow and Entry applications

28005969



28005970

Website

<http://www.tridonic.com/28005969>



Ordering data

Type	Article number	Packaging, carton	Weight per pc.
Shading entry ACU 035 16DP CR	28005969	500 pc(s).	0.011 kg
Shading narrow ACU 036 16DP CR	28005970	500 pc(s).	0.013 kg

Mounting box 16DPI

Accessory



Product description

- _ Easy adaptation of suspended lighting fixtures to a sensor solution, just by adding one additional hole
- _ Side entry screw connection in combination with rubber gasket gives a true IP65 protection for industrial applications
- _ Easy remote commissioning with IR interface while sensor is still protected
- _ Tightening torque = 0.6 Nm

ACU MOUNTING BOX 16DPI HIGHBAY

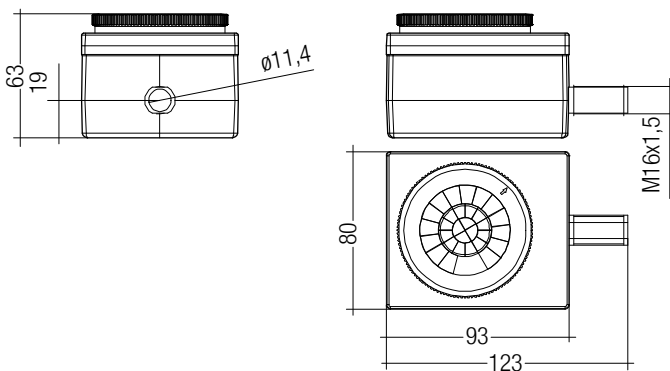


Website

<http://www.tridonic.com/28001568>



ACU MOUNTING BOX 16DPI HIGHBAY with sensor

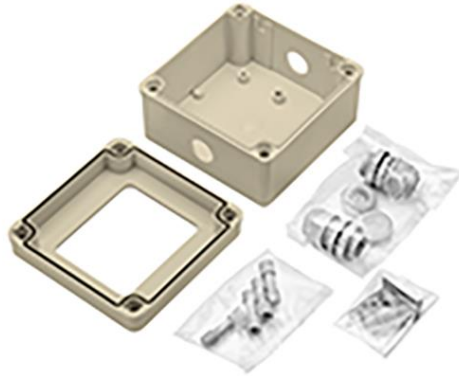


Ordering data

Type	Article number	Packaging, carton	Weight per pc.
ACU MOUNTING BOX 16DPI HIGHBAY	28001568	64 pc(s).	0.105 kg

Sensor housing ACU 033 IP65 WH

Accessory

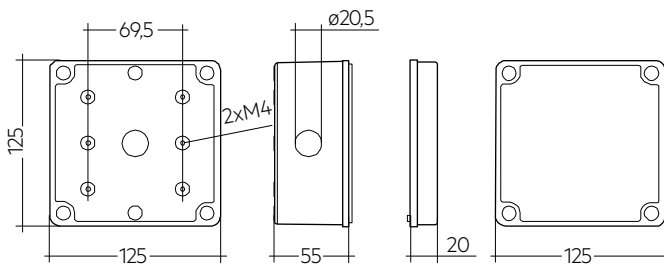


Product description

- _ IP65 protection box
- _ Mounting box for DALI MSensor G3 SFI 30 PIR 16DPI WH sensors allowing direct mounting to the ceiling
- _ Easy "Click In" installation of the sensor to the top part of the box
- _ Casing: ABS, white RAL 9010
- _ UV stabilized plastic
- _ Full mounting kit with screws and dowels, allowing hassle free mount of the box to the ceiling
- _ Including 2 cable glands and 2 grommets for ideal IP protection of inserted cables with a diameter of 6 – 12 mm
- _ Casing passed glow wire test with 850 °C according to EN 61347-1

Website

<http://www.tridonic.com/28003866>



Ordering data

Type	Article number	Packaging, bag	Packaging, carton	Weight per pc.
Sensor housing ACU 033 IP65 WH	28003866	1 pc(s).	48 pc(s).	0.24 kg

1. Standards

- EN 61347-2-11
- EN 61347-1
- EN 61547
- EN 55015
- EN 62386-101
- EN 62386-103
- EN 62386-301
- EN 62386-303
- EN 62386-304
- EN 62386-351

1.1 DALI note



Sensor is only applicable for DALI-2 installations according to EN 62386-101 Ed.2.
List of approved application controller can be found on our WEB page „[Application_controllers_MSensor_G3.pdf](#)“

Following table shows the instances and which values they provide.

DALI instances	
Instance number	Explanation
0	Occupancy sensor DALI Part 303
1	Light sensor DALI Part 304
2 – 13	Push button DALI Part 301

1.2 Glow wire test

according to EN 61347-2-11 passed for temperatures up to 850 °C.

2. Common

DALI MSensor G3 SFI 30 16DPI CR WH is one of the new generation of Tridonic sensors.
With this Sensor, the customer gets a sensor for protection against environmental influence up to IP65.

This sensor provides measurement of ambient light, motion detection via PIR sensor and IR remote control input as well as a LED output for signalization.

DALI MSensor G3 SFI 30 16DPI CR WH is created for following main applications:

For buildings with mid to high ceiling heights such as:

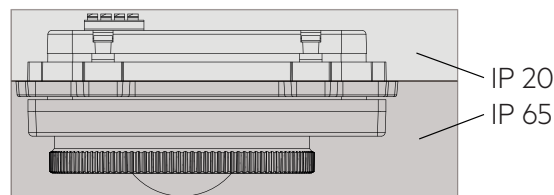
- Factory buildings
- Corridors, passages und Garages
- Storage buildings and warehouses

3. Installation

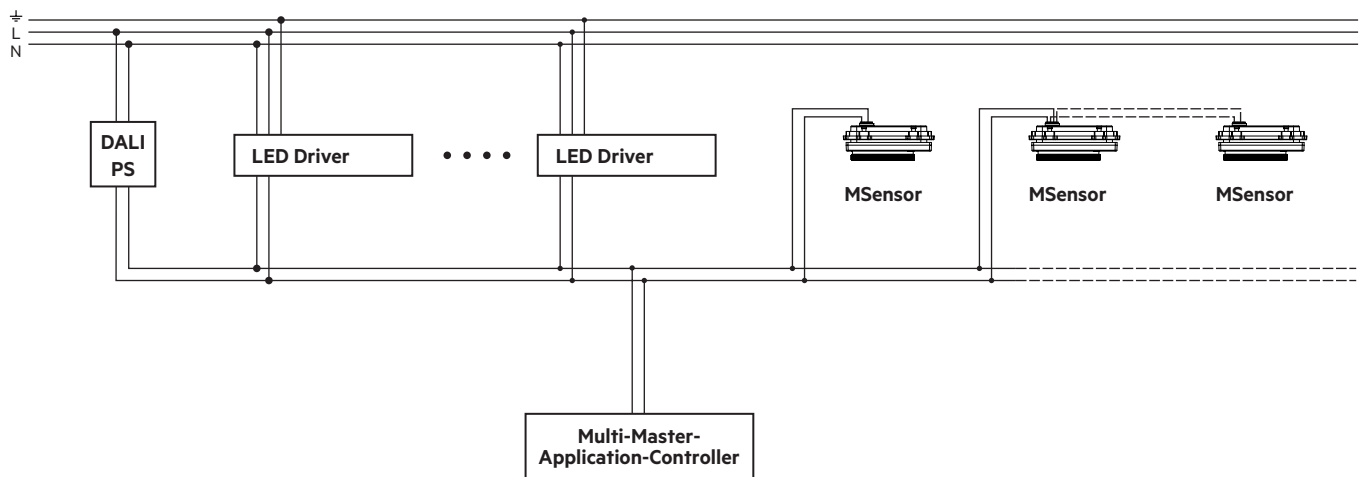
- DALI is not SELV.
The installation instructions for mains voltage therefore apply.
- The maximum cable length of the DALI control signal must not be exceeded.
- Please ensure that the detection range of the sensor lies in the lighting area of the controlled luminaires.
- Please ensure that the detection ranges of the sensors do not unnecessarily overlap. This may have influence to the lighting control.
- Heaters, fans, printers and copiers located in the detection zone may cause incorrect presence detection.
- Surface temperature is detected by the sensor.
Clothing or covers which reduce the surface temperature affect the detection.
- To avoid false readings, the sensor should be installed so there is no direct light from the lamp in the detection zone. Reflections can disturb the measurement results as well (e.g. high-bay warehouse of metal shelves).
- To avoid false measurements caused by the light from other luminaires we recommend that the sensor should be located centrally in the luminaire.
- The detection area is rectangular and can be rotated up to 90° by turning the ring, if this ring is rotated to often (>10x) the IP Protection may be impaired.
- Sensor must be installed according to the installation instructions to ensure the IP protection.
- Sensor head is not UV resistant.
- In case of pollution or mechanical damage of the lens, the functionality of the sensor may be limited.
- When installed at a height other than the recommended installation height, the presence sensor might show different characteristics.
When mounted at a higher level, its sensitivity is reduced.
If mounted at a lower level, its range is reduced.
- Avoid direct illumination of the light source on the sensor including housing.

3.1 Ingress protection

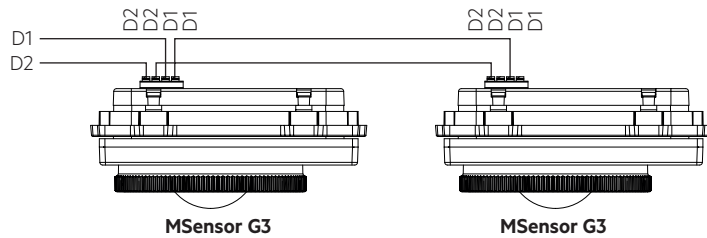
This device contains IP-protection to use it also in applications with the need of protection against dust and water ingress. IP65 protection applies to the front of the sensor whereas the back of the sensor is IP20 rated.



3.2 Wiring

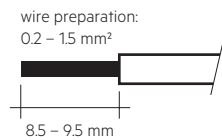


Through wiring:



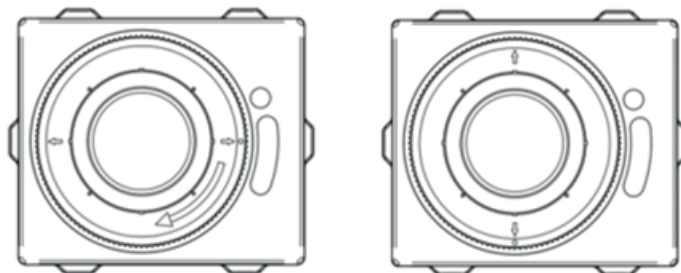
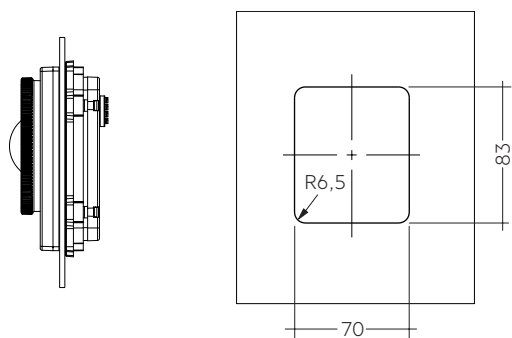
3.3 Cable types and cable cross-sections

For wiring use solid wire from 0.2 to 1.5 mm².



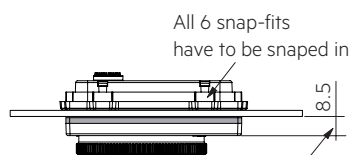
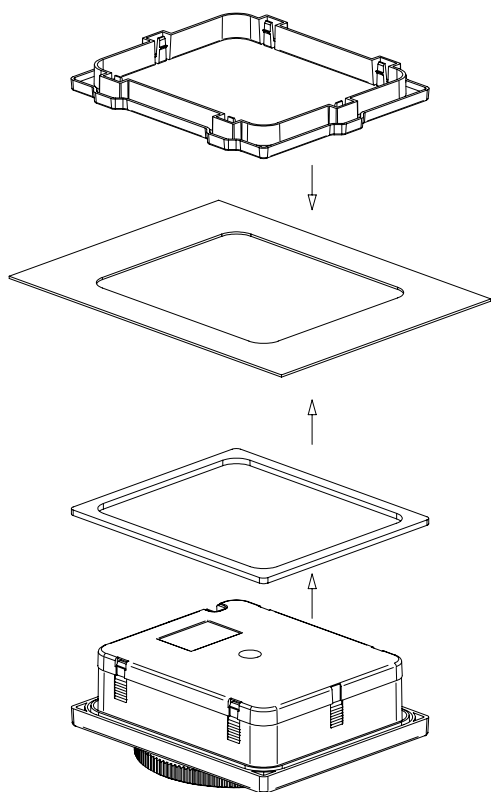
3.4 Mounting variant luminaire housing:

Sheet thickness: 1 – 4 mm



The detection area is rectangular and can be rotated up to 90° by turning the ring. The arrow on the ring points in the length of the detection area.

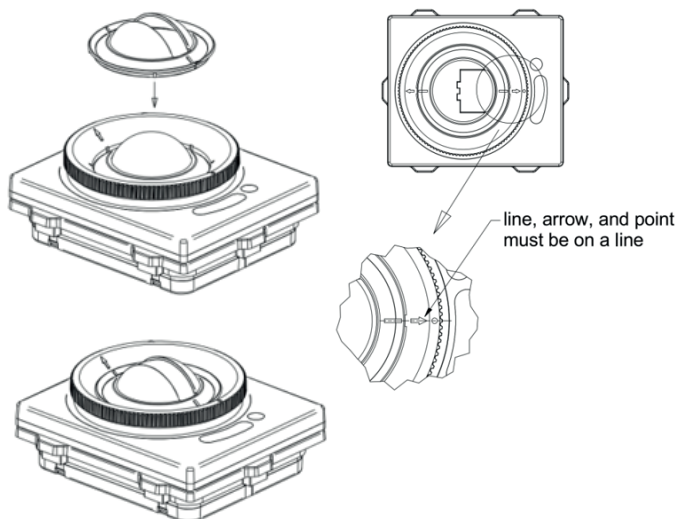
3.5 Sensor mounting



All 6 snap-fits have to be snapped in

To gurantee IP65 the distance between sensor surface and luminaire surface must be less than 8.5 mm

3.6 Shader mounting

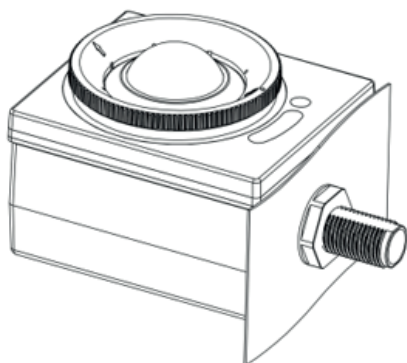
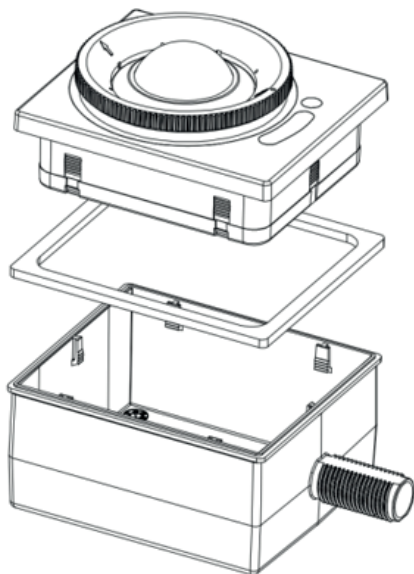


line, arrow, and point must be on a line

3.7 Mounting box mounting



- The sensor can be installed only once in the mounting box (Sensor snap in permanent)!
- Insert the cable of the sensor before installing.
- There are 2 installation variants possible for the sensor. The sensor can be turned through 180°.

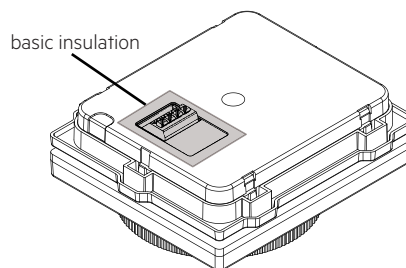


3.9 Mounting in class II luminaire

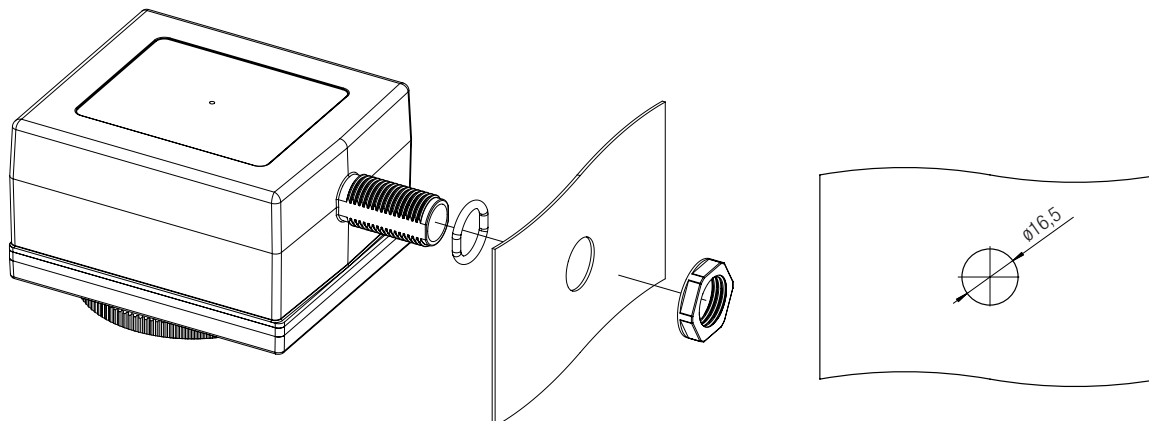
The Sensor provides basic insulation as required by IEC 62386-101 and defined in IEC 61347-1.

If the sensor is built in to a class II luminaire which has to provide double or reinforced insulation it has to be considered that the Sensor is not a class II device. Still the Sensor can be used for such projects as the most part of the sensor is tested to fulfil the class II requirements for double or reinforced insulation. Basic insulation is illustrated in the graphic below and covers an area 2,5 mm around the terminal.

The rest of the sensor fulfils class II requirements.



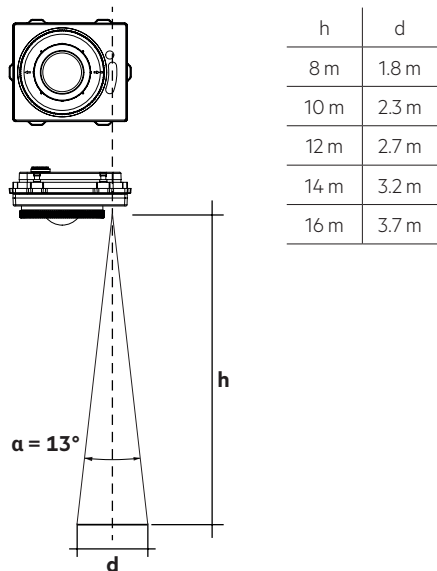
3.8 Mounting box in luminaire housing:



4. Sensor functions

4.1 Light level recognition area

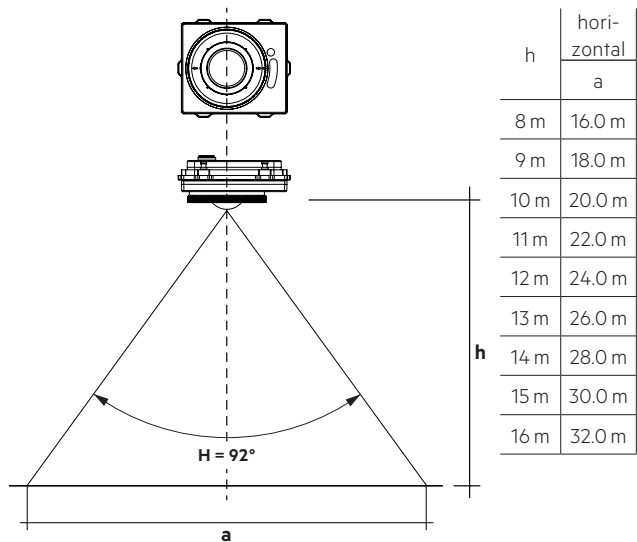
The light measurement has a cone-shaped detection area with a half angle of approximately 6.5°.



The measurement range is between 1 and 2,000 lx. Measured at the sensor head.

4.2 Detection area

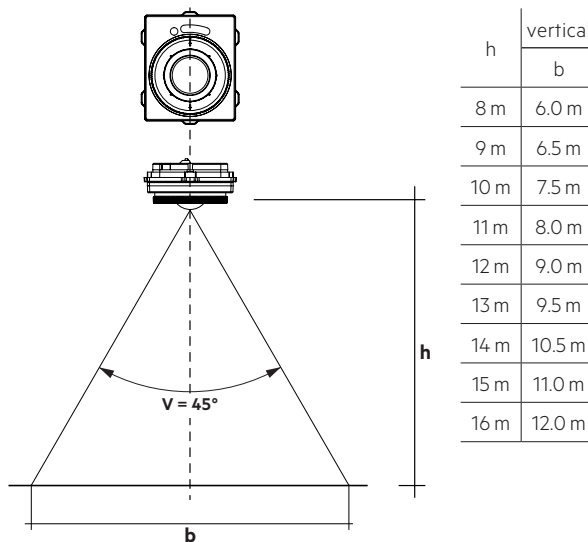
The detection range is rectangular, with a length a oriented at horizontal angle H and a width b oriented at vertical angle V at floor level. Graphic shows the default position.



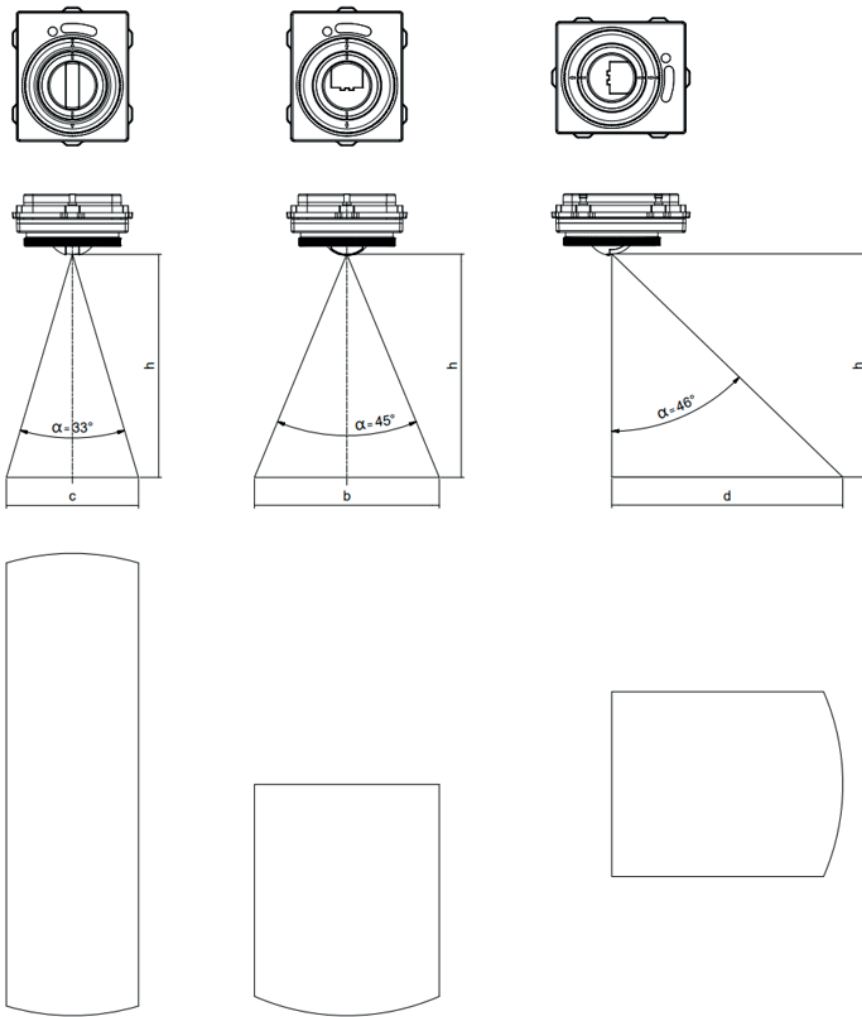
4.3 Status LED's

There is a LED built in to indicate different status information to the user. This LED is controlled from the sensor itself.

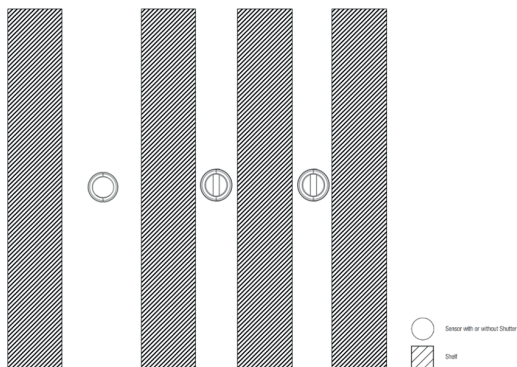
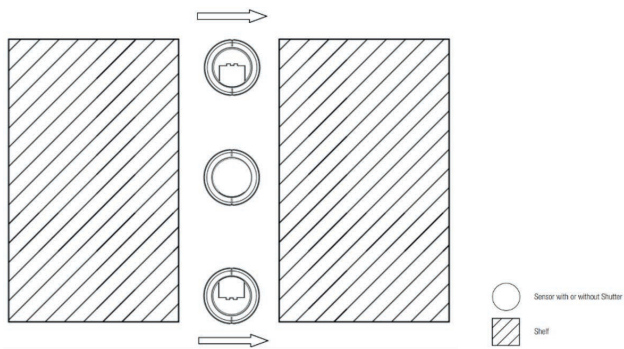
To not have any influence from LED to the light measurement, LED is disabled while light sensor is measuring by default.



4.4 Presence / motion detection with shader



4.5 Application



5. Configuration

Optimized for the operation in conjunction with the Tridonic application controller sceneCOM S.

For commissioning and configuration the App „sCS commissioning“ (sceneCOM S) is provided by Tridonic. App can be installed on iOS and Android devices. Compatible with Android 6.0 / iOS 10 or later, devices with a min. screen size of 20 cm diagonal and a min. resolution of 1024 x 768 pixels.

Android:



iOS:



6. Miscellaneous

6.1 Disposal of equipment



Return old devices in accordance with the WEEE directive to suitable recycling facilities.

6.2 Additional information

Additional technical information at www.tridonic.com → Technical Data

Guarantee conditions at www.tridonic.com → Services

Lifetime declarations are informative and represent no warranty claim.
No warranty if device was opened.