

ACU Z18 G2 Set

Zhaga Book 18 Ed. 3 receptacle



ACU Z18 REP 4PIN G2



ACU Z18 CAP IP66 G2



ACU Z18 REP 4PIN + ACU Z18 CAP IP66

Product description

- _ Set consisting of receptacle, lock washer and mounting nut (ACU Z18 REP 4PIN G2)
- _ Designed for street lighting control
- _ Double connector terminal for an easy through wiring to two DALI nodes simultaneously
- _ Colored dots for a quick and failure free assembly (matching with LCO PRE3 and LCO 2 channel outdoor driver terminals)
- _ Compliant with Zhaga Book 18 Ed. 3
- _ UL UV-f1 rated for outdoor use
- _ IK09 high impact resistant

Housing properties

- _ Colour: dark grey (RAL 7043)
- _ Casing receptacle: PBT
- _ Type of protection IP66

Note

- _ Please consider correct placing of the gasket lip in the gasket seat. For details refer to data sheet chapter „Gasket varification“

Interfaces

- _ Supplies Zhaga Book 18 Ed. 3 contact system

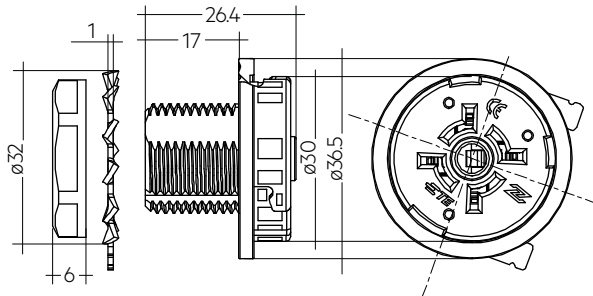
Website

<http://www.tridonic.com/28005366>

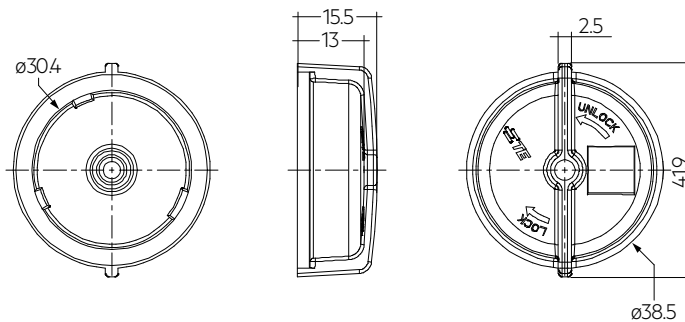


ACU Z18 G2 Set

Zhaga Book 18 Ed. 3 receptacle



ACU Z18 REP 4PIN G2



ACU Z18 CAP IP66 G2

Ordering data

Type	Article number	Packaging, carton	Packaging, bag	Weight per pc.
ACU Z18 REP 4PIN G2	28005366	200 pc(s).	-	0.027 kg
ACU Z18 CAP IP66 G2	28005374	200 pc(s).	100 pieces	0.009 kg

Technical data

Rated voltage	250 V
Mains frequency	50 / 60 Hz
Max. rated current	1.5 A
Mounting hole	acc. to Zhaga Book 18 Ed. 3
Type of installation	Zhaga Book 18 Ed. 3 socket
Ambient temperature t_a	-40 ... +90 °C
Dimensions \varnothing x H	\varnothing 36.5 x 27.4 mm
Housing	Dark grey (RAL 7043)
Housing material	PBT
UV resistance	f1
Type of protection	IP66
Impact protection degree	IK09

Approval marks

Standards

UL UV-f1, UL 773, EN 61984, CB certified

1. Standards

UL UV-f1
 UL 773
 EN 61984:2009
 CB certified

2. Common

This connector system is typically used in street light applications, as well as area lighting and IoT network applications.

The receptacle is supplied with a 4 position contact system. All contacts are being pre-installed in the receptacle.

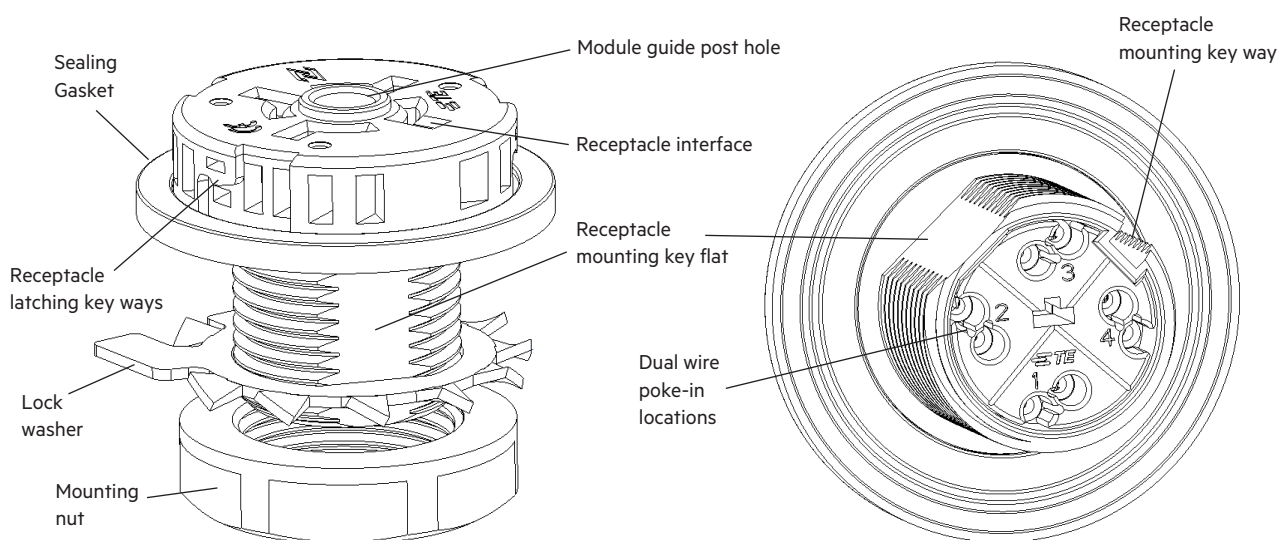
The receptacle contacts are wire poke-in style termination contacts.

The cap is not supplied with the base assembly, but available separately (ACU Z18 CAP IP66 G2, article number: 28005374).

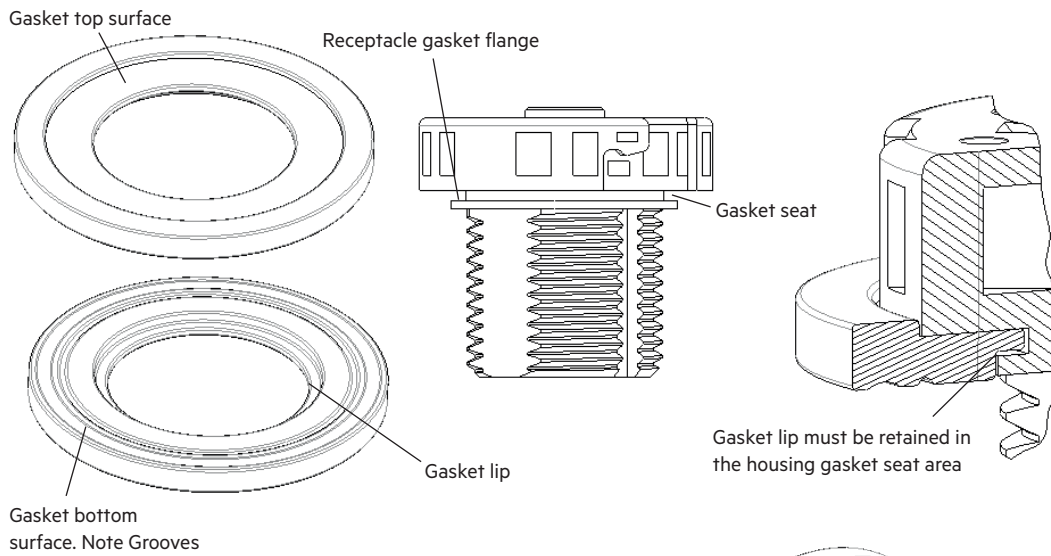
It is the responsibility of the customer to provide and install the light or sensor control electronics.

3. Installation

3.1 Receptacle:



3.2 Gasket varification:



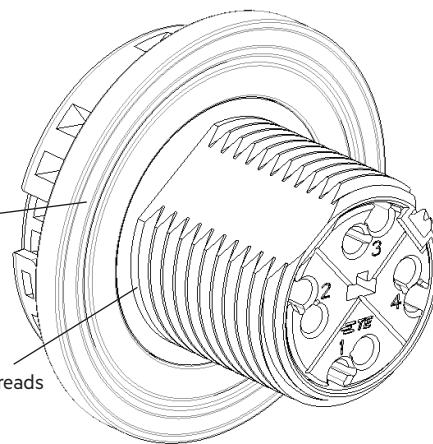
Important notice:



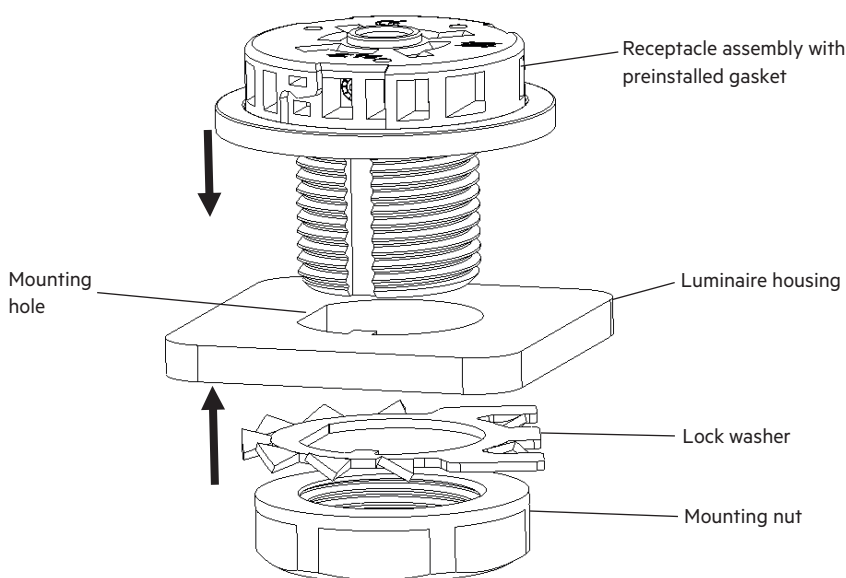
Installation overview of single components for assembling all together (symbol photos). Actual product can differ in shape and form slightly due to improvements.

Installed gasket with grooves towards threads

Receptacle threads



3.3 Receptacle mounting:



Important instruction:

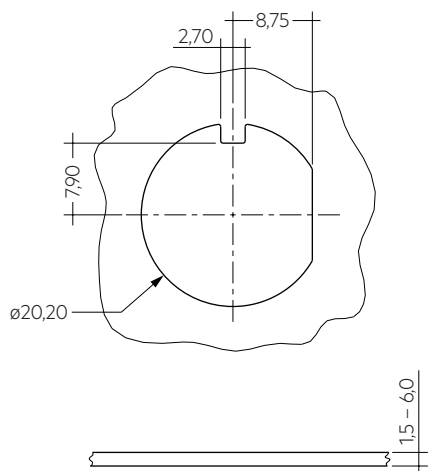


The sharp edges of the lock washer must point in the direction of the luminaire housing.

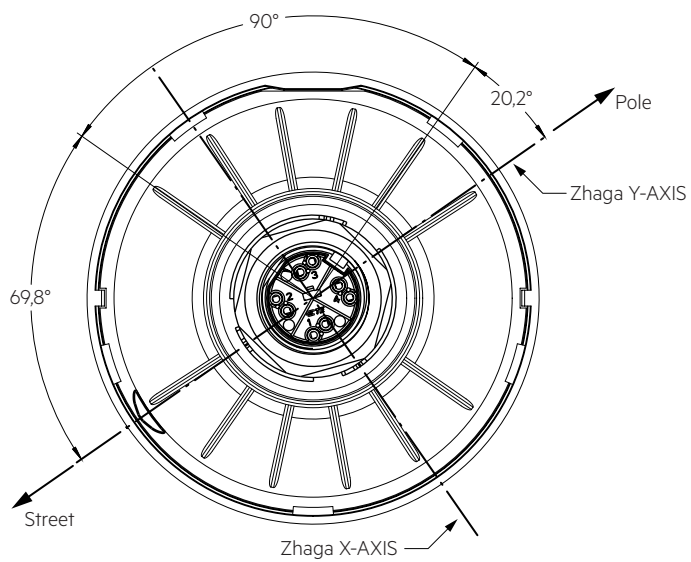


Torque mounting nut within the range of 1.8 to 2.4 Nm using a 26 mm hex socket. Guarantee only if using a torque wrench. Alignment and direction of the mounting nut see graphic.

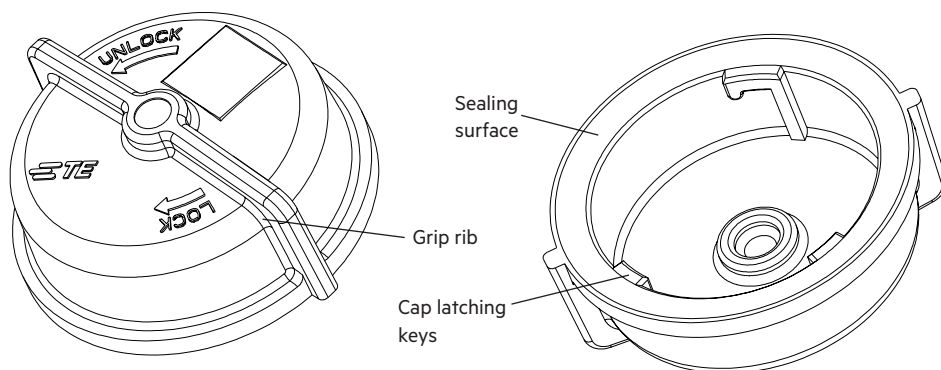
3.4 Mounting hole:



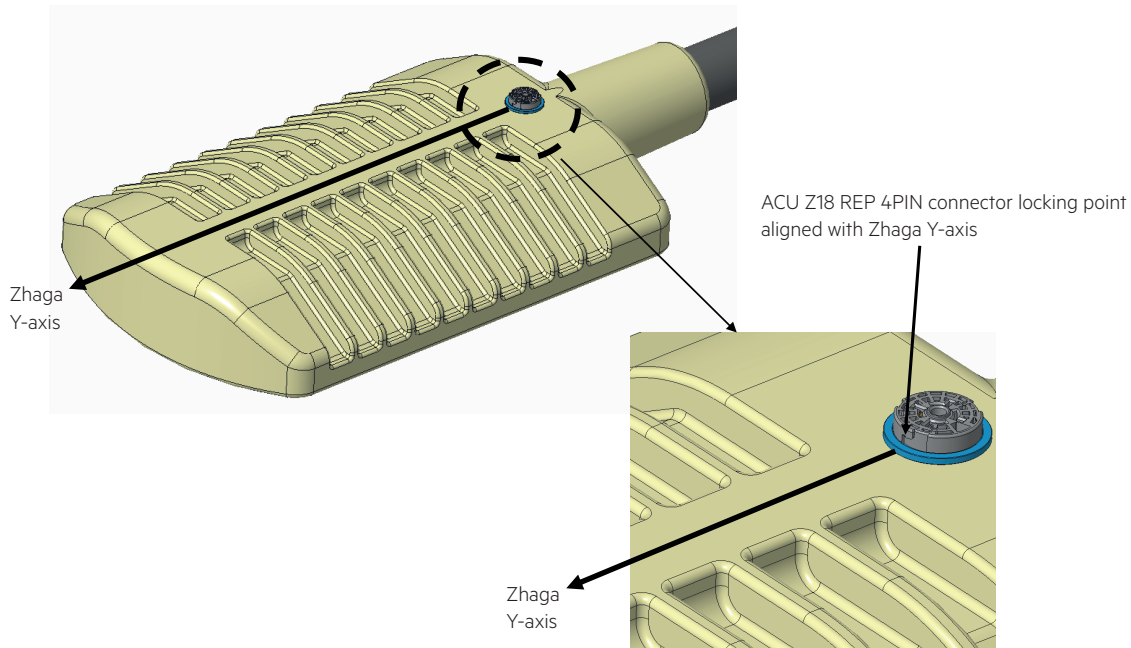
Zhaga Book 18 Ed. 3 axis description:



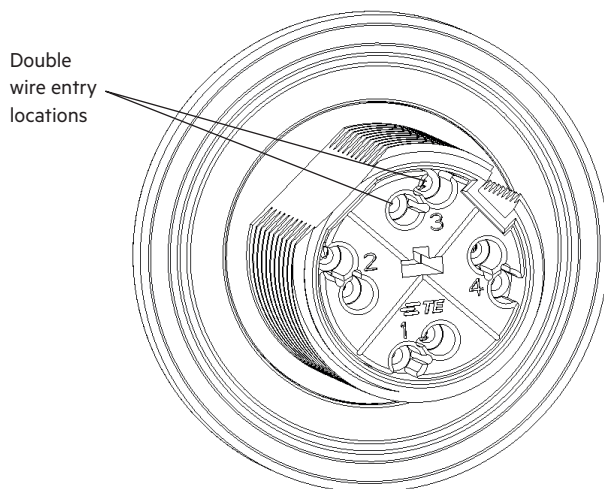
3.5 Cap:



3.6 Lighting fixture with ACU Z18 REP 4PIN G2 connector:



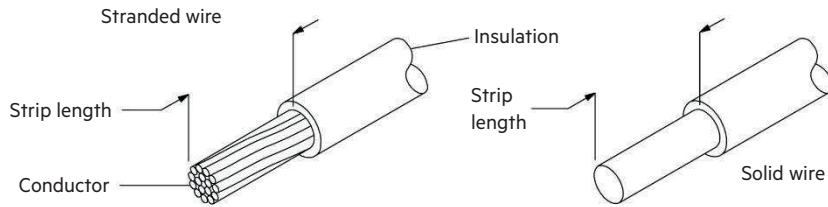
3.7 Wire connection receptacle:



Pin number	Colour	Function
1	Grey	+24 V power supply
2	Yellow	Negative pole for DALI / shared ground for 24 V power supply
3	Orange	Positive pole for DALI
4	White	Not connected this refers to Zhaga Book 18 Ed. 3 standard

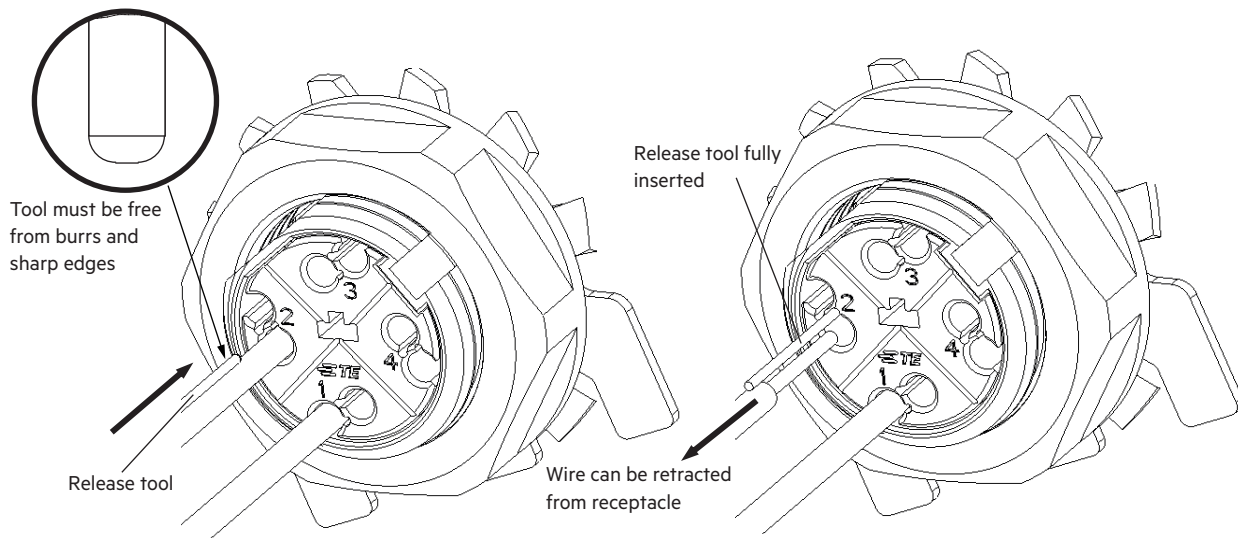
3.8 Wire type and cross section:

The receptacle assembly will accept 16 – 20 AWG solid and 18 – 20 AWG stranded tin-dipped copper wire only. The table in Figure below provides wire selection for the poke-in connectors.



Recommended wire			
Wire size	Wire type	Insulation diameter	Strip length
18 AWG	Solid	ø 2.35 max.	11.0 ±1.0
	Stranded (tin-dipped)		
20 AWG	Solid	ø 1.50 min.	
	Stranded (tin-dipped)		

3.9 Wire release:



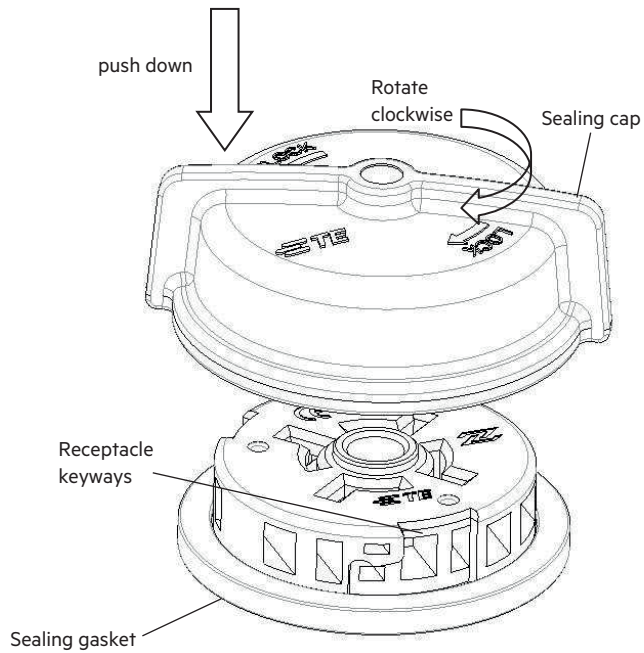
3.10 Cap release:

Align the sealing cap over the mounted receptacle. Based on polarizing features on each, the sealing cap can only be installed in one position.

Lightly rotate the sealing cap until you feel the alignment keys and the blades align to the proper location. After alignment, push downward until the sealing cap is bottomed on the receptacles mating face.

Then complete mating by rotating sealing cap with downward pressure while twisting in a clockwise direction. The sealing cap will lock into position with an audible 'click'.

To un-mate, gently push down and reverse the process.

**3.11 Commissioning and humidity:**

When using the ACU Z18 CAP IP66 G2, make sure that the contact connections are dry during following installation.

Each time the connector (ACU Z18 REP 4PIN G2) is assembled or disassembled using an ACU Z18 CAP IP66 G2 / communication module / sensor, the connector (ACU Z18 REP 4PIN G2) must be checked again for moisture damage.

The use of the ACU Z18 REP 4PIN G2 without the ACU Z18 CAP IP66 G2 / communication module / sensor is not permitted.

4. Miscellaneous**4.1 Additional information**

Additional technical information at www.tridonic.com → Technical Data

Lifetime declarations are informative and represent no warranty claim. No warranty if device was opened.