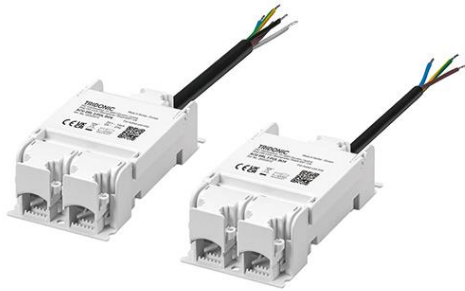


ACU SRL BOX

SR Linect® connection box



Cable connection



Top view

Product description

- _ Connection BOX with pre-assembled cable – for lighting OEM Electronic products
- _ 3-POL version (N / PE / L)
- _ 5-POL version (N / PE / L / DA- / DA+)
- _ 5 years guarantee (Conditions at <https://www.tridonic.com/en/int/services/manufacturer-guarantee-conditions>)

Housing properties

- _ Casing: polycarbonate, white
- _ Type of protection IP20
- _ Strain relief with loop through function

Interfaces

- _ Support Linect® interface (T-Connector needed)
- _ 3-pole or 5-pole connectors
- _ Pre-assembled cable for connecting a LED Driver

Functions

- _ Tool-free strain relief – supports mains loop through for cable wiring (up to 16 A)
- _ Tool-free cable assembling: for stranded and solid wires – cable cross-sections up to 2.5 mm²
- _ Support Linect® interface for fast assembling (up to 16 A)
- _ Suitable for DC Voltage Input – for emergency escape lighting systems

Benefits

- _ Luminaire upgrade with Linect®, support WAGO, WIELAND, ENSTO and further Linect® partners cable for the wiring on site
- _ OEM application-oriented connection BOX for max. flexibility
- _ Reduce commissioning time on site

Typical applications

- _ For applications in downlight, Edge lit and Spotlight luminaire

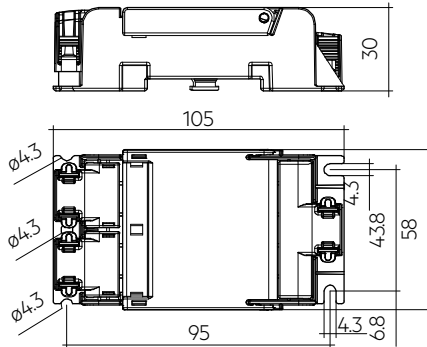
Website

<http://www.tridonic.com/28003872>



ACU SRL BOX

SR Linect® connection box



Meets the Linect® standard

Ordering data

| Type | Article number | Packaging, carton | Weight per pc. |
|-------------------|----------------|-------------------|----------------|
| ACU SRL 3-POL BOX | 28003872 | 10 pc(s). | 0.060 kg |
| ACU SRL 5-POL BOX | 28003873 | 10 pc(s). | 0.074 kg |

Technical data

| | |
|---|-----------------------------|
| Rated voltage | 500 V |
| Max. rated current ^① | 24 A |
| Ambient temperature t_a | -20 ... +60 °C |
| Housing material | Polycarbonat, UV stabilized |
| Dimensions L x W x H | 105 x 58 x 30 mm |
| Type of protection | IP20 |
| Guarantee (conditions at www.tridonic.com) | 5 Year(s) |

Approval marks**Standards**

EN 60998-1, EN 60998-2-2, EN 61984, EN 60598-1

① Linect® interface 16 A max.

1. Standards

- EN 60998-1
- EN 60998-2-2
- EN 61984
- EN 60598-1

1.1 Glow wire test

according to EN 61347-1 with increased temperature of 850 °C passed.

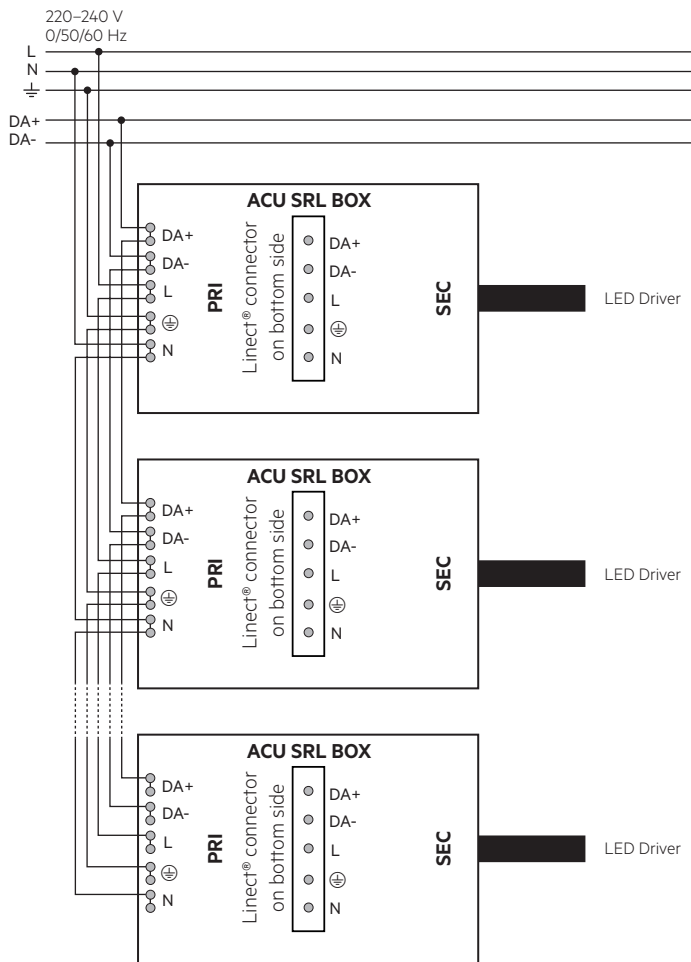
2. Common

The SR connection box is used for easy connection of multiple luminaires and LED drivers. It offers the possibility for conventional wiring as well as using the Linect® T-connectors.

3. Installation

Installation notes show the 5-pole version.
The 3-pole version has no DA interface.

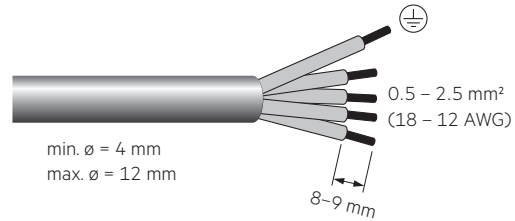
3.1 Circuit diagram



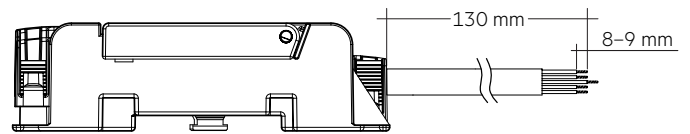
3.2 Wiring primary side

For wiring use stranded wire with ferrules or solid wire from 0.5 to 2.5 mm². Strip 8-9 mm of insulation from the cables to ensure perfect operation of the push terminals.

Use one wire for each terminal connector only.
Use each strain relief channel for one cable only.



3.3 Wiring secondary side



5-pole wiring:

| Cable secondary (H05VV-F 5x0.75 mm ²) | | | | |
|--|------|-------|----------------|------|
| DA+ | DA- | L | ⊕ | N |
| black | grey | brown | yellow / green | blue |

3-pole wiring:

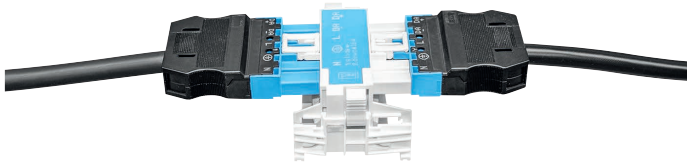
| Cable secondary (H05VV-F 3x0.75 mm ²) | | |
|--|----------------|------|
| L | ⊕ | N |
| brown | yellow / green | blue |

3.4 Assembling Instruction ACU SRL 3-POL / 5-POL BOX

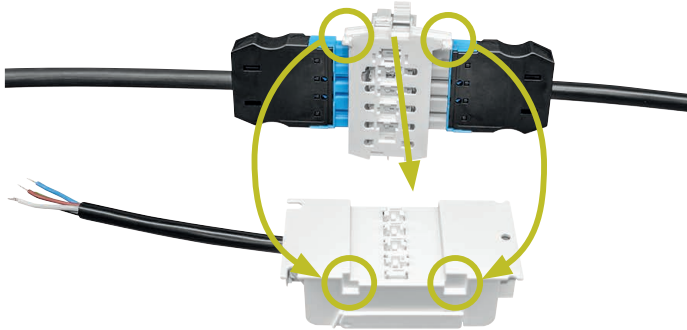
Assembling shows WAGO WINSTA linect system.
Equal assembling steps for other linect partners (e.g. Wieland, Ensto).



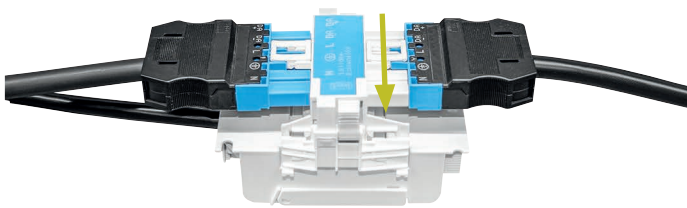
1. Make sure the cables (not included) are pre-assembled.



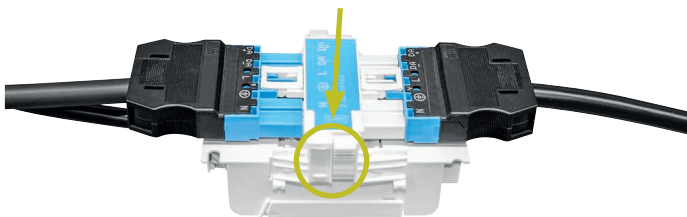
2. Be aware that the single plugs are snapped-in.



3. Bring together the T-connector and ACU SRL BOX.
Check correct positioning of the square recesses.



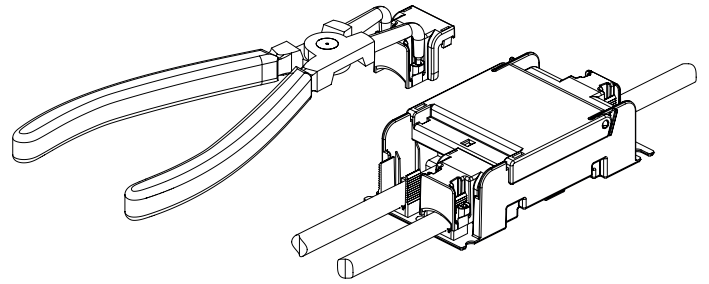
4. Push the pre-assembled T-connector against the direction of the square recesses.



5. Press down T-connector till it snapped in.

For disassembling do it in reversed order (make sure to release the T-connector in upper position before moving to snap out).

3.5 Releasing the strain relief



1. Insert release tool device into cut-out,
e.g. KNIPEX 46 21 A21 Seeger ring pliers or screwdriver
2. Remove strain relief element

4. Miscellaneous

4.1 Disposal of equipment



Return old devices in accordance with the WEEE directive to suitable recycling facilities.

4.2 Conditions of use and storage

Humidity: 5 % up to max. 85 % operation, 90 % storage not condensed

Storage temperature: -25 °C up to max. +60 °C

The devices have to be acclimatised to the specified temperature range (ta) before they can be operated.

4.3 Additional information

Additional technical information at www.tridonic.com → Technical Data

Lifetime declarations are informative and represent no warranty claim.
No warranty if device was opened.