

ACU MOUNTING ADAPTER 60x22mm

Mounting accessory for sensor integration into the luminaire



Interfaces

- _ Plastic mounting accessories in white and black color: BLIND COVER 60 x 22 mm and MOUNTING ADAPTER 60 x 22 mm
- _ Fit to 60 x 22 mm Zhaga Book 20 cut out
- _ The BLIND COVER has a holder for luminaire plug connector LEX-LP according to Zhaga Book 20 standard
- _ MOUNTING ADAPTER 60 x 22 mm establish possibility to install a shutter for preventing occupancy detection

Housing properties

- _ Casing: polycarbonate, black or white
- _ Type of protection IP20

Benefits

- _ Used for sensor integration to any lighting fixture which comply with Zhaga Book 20 standard
- _ Simple retrofitting thanks to the option of mounting the sensor in the luminaire from the outside
- _ No tools required for installation
- _ Possibility to remove BLIND COVER 60 x 22 mm and MOUNTING ADAPTER 60 x 22 mm without opening of the lighting fixture

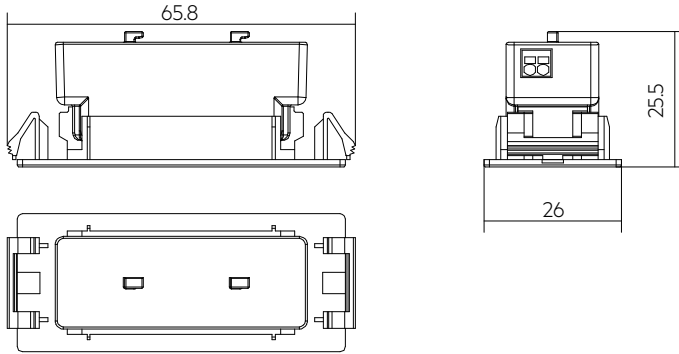
Website

<http://www.tridonic.com/28005054>



ACU MOUNTING ADAPTER 60x22mm

Mounting accessory for sensor integration into the luminary



Ordering data

Type	Article number	Packaging, bag	Packaging, carton	Weight per pc.
ACU MOUNTING ADAPTER 040 60x22 WH	28005054	10 pc(s).	100 pc(s).	0.005 kg
ACU MOUNTING ADAPTER 040 60x22 BK	28005055	10 pc(s).	100 pc(s).	0.004 kg