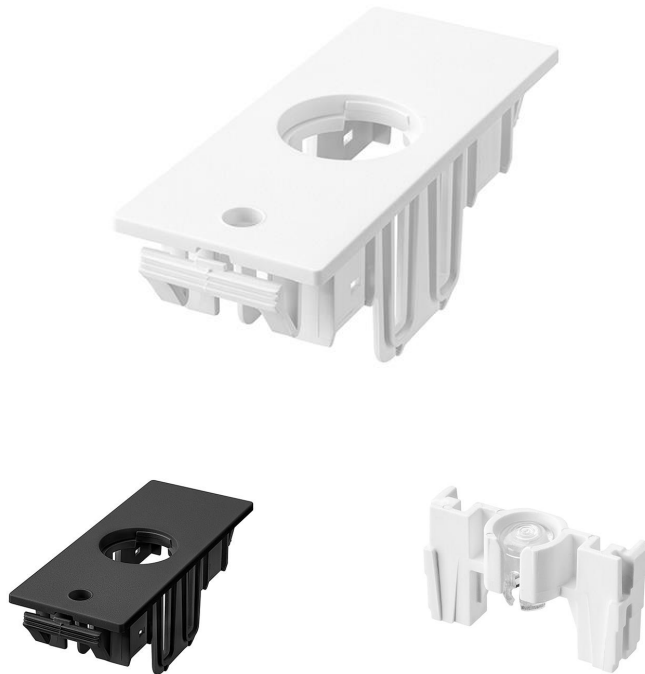


### ACU MOUNTING ADAPTER 040 60x22 CON LED

Mounting accessory for sensor integration into the luminary



#### Interfaces

- \_ Plastic mounting accessories in white and black color: BLIND COVER 60 x 22 mm and MOUNTING ADAPTER 60 x 22 mm
- \_ Fit to 60 x 22 mm Zhaga Book 20 cut out
- \_ With hole for emergency light status LED (EM LED is not included and must be ordered separately - 28005763 & 28005769)
- \_ Special mounting bracket for EM LED fixation is included in the packaging
- \_ The BLIND COVER has a holder for luminaire plug connector LEX-LP according to Zhaga Book 20 standard
- \_ MOUNTING ADAPTER 60 x 22 mm establish possibility to install a shutter for preventing occupancy detection

#### Housing properties

- \_ Casing: polycarbonate, black or white
- \_ Type of protection IP20

#### Benefits

- \_ Used for sensor integration to any lighting fixture which comply with Zhaga Book 20 standard
- \_ Simple retrofitting thanks to the option of mounting the sensor in the luminaire from the outside (not possible for 28001538 smartSWITCH 5DP 14f there the lighting fixture must be opened)
- \_ No tools required for installation
- \_ Possibility to remove BLIND COVER 60 x 22 mm and MOUNTING ADAPTER 60 x 22 mm without opening of the lighting fixture

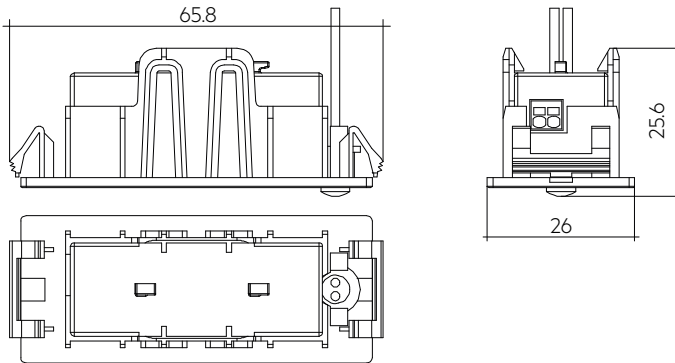
#### Website

<http://www.tridonic.com/28005941>



**ACU MOUNTING ADAPTER 040 60x22 CON LED**

Mounting accessory for sensor integration into the luminary



**Ordering data**

Type	Article number	Packaging, bag	Packaging, carton	Weight per pc.
ACU MOUNTING ADAP-R 60x22 CON LED 1.3 WH	28005941	10 pc(s).	100 pc(s).	0.006 kg
ACU MOUNTING ADAP-R 60x22 CON LED 1.3 BK	28005942	10 pc(s).	100 pc(s).	0.006 kg