

ACU L 85x50mm CLIP-ON SR SET

General

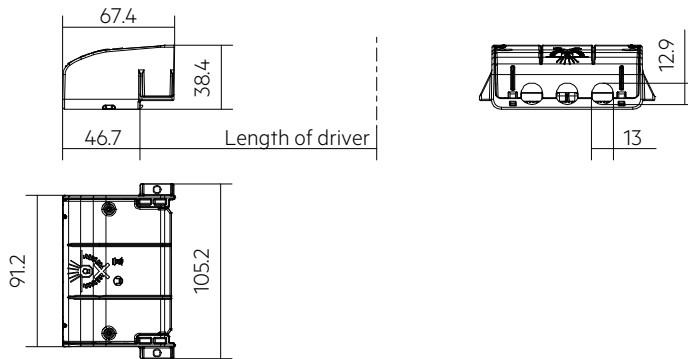
**Product description**

- _ Optional strain-relief for independent applications
- _ Easy and tool-free mounting to the LED driver
- _ Screws can be used if necessary. For US variants, it's mandatory.
- _ Transforms the LED driver into a fully class II compatible LED driver (e.g. ceiling installation)
- _ Use each strain relief channel for one cable only
- _ Overall length = length L (LED driver) + 2 x 50 mm (strain-relief set)
- _ A carton of 1 pcs. is equal to 1 set, each with 1x Input and 1x Output strain-relief part

Website<http://www.tridonic.com/28005911>

ACU L 85x50mm CLIP-ON SR SET

General

**Ordering data**

Type	Article number	Packaging, outer box
ACU L 85x50mm CLIP-ON SR SET	28005911	1 pc(s).