

## ACL BRIDGE LLE24/40

Linear accessories



### Product description

- \_ Enables the fixation of 24 mm wide Tridonic LED modules to fixtures made for 40 mm wide modules
- \_ Ideal for extruded aluminium gear trays made for 40 mm modules with pre-alignment knobs
- \_ Clip-on for LINEAR COVER and LINEAR LENS <sup>①</sup>
- \_ For LLE 24 with 280 mm module minimum 2 bridges required
- \_ For LLE 24 with 560 mm module minimum 3 bridges required
- \_ Fixation via M3 or M4 countersunk screw, max. tightening torque 0.5 Nm
- \_ Material: white polycarbonate
- \_ Minimum sales quantity 600 pcs.

<sup>①</sup> Beam characteristics will change due to the elevated fixation (see photometric files for details).

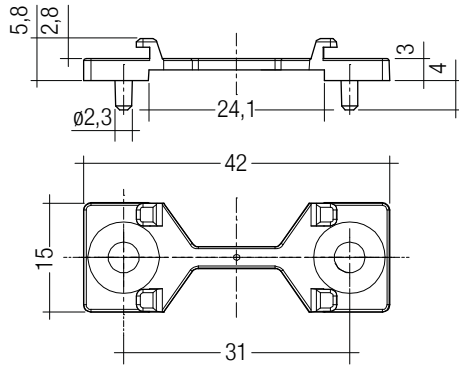
### Website

<http://www.tridonic.com/28001205>



**ACL BRIDGE LLE24/40**

Linear accessories



**Ordering data**

Type	Article number	Colour	Packaging, carton	Weight per pc.
ACL BRIDGE LLE24/40 SCREW-FIX	28001205	White	600 pc(s).	0.001 kg