

ACL ALU PROFILE

Flexible accessories



ACL ALU PROFILE SURFACE 16x7mm



ACL ALU PROFILE CORNER 16x18.5mm



ACL ALU PROFILE RECESSED 16x7.5mm

Product description

- _ Aluminum LED profile in anodized silver color
- _ Ideal for surface mounting installation
- _ Easy to assembly and install with compatible covers and mounting accessories available
- _ Suitable for up to 8 mm width flexible strips
- _ Up to 30 W/m
- _ Made in Europe
- _ 5 years guarantee (Conditions at <https://www.tridonic.com/en/int/services/manufacturer-guarantee-conditions>)

Mechanical properties

- _ Available profile length 2 m
- _ Compatible Tridonic covers

System solution

- _ System solution in combination with Tridonic LLE FLEX modules
- _ Fully system with Tridonic constant voltage drivers

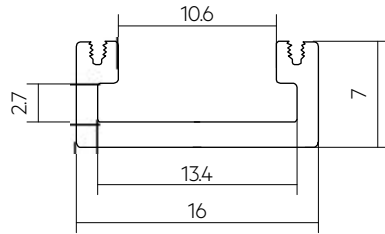
Website

<http://www.tridonic.com/28005790>

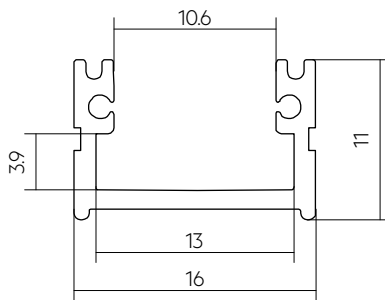


ACL ALU PROFILE

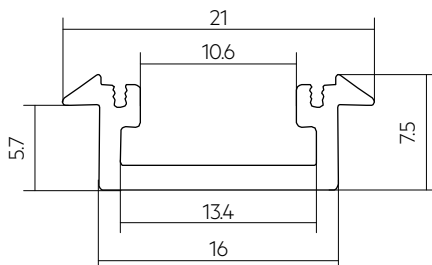
Flexible accessories



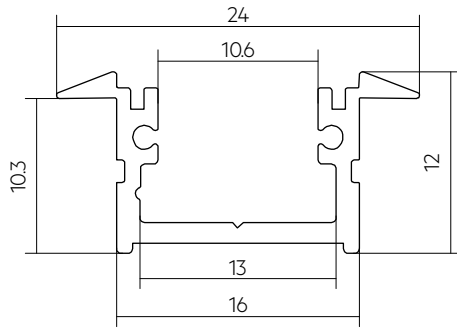
ACL ALU PROFILE SURFACE 16x7mm



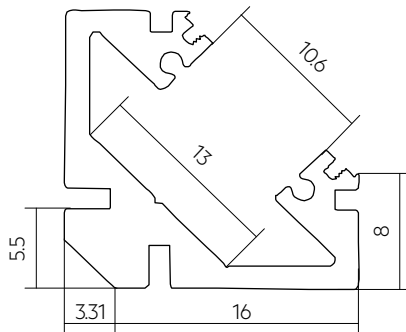
ACL ALU PROFILE SURFACE 16x11mm



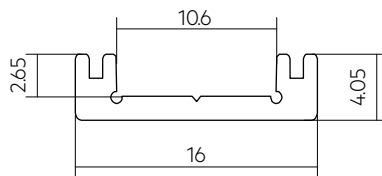
ACL ALU PROFILE RECESSED 16x7.5mm



ACL ALU PROFILE RECESSED 16x12mm



ACL ALU PROFILE CORNER 16x18.5mm



ACL ALU PROFILE FLEXIBLE 16x4mm

Ordering data

Type	Article number	Colour	Length L	Maximum power	Packaging, carton	Weight per pc.
ACL ALU-PROFILE SURFACE 16x7MM L=2M	28005790	Silver	2,000 mm	20 W/m	72 pc(s).	0.238 kg
ACL ALU-PROFILE SURFACE 16X11MM L=2M	28005791	Silver	2,000 mm	30 W/m	96 pc(s).	0.284 kg
ACL ALU-PROFILE RECESSED 16X7.5MM L=2M	28005792	Silver	2,000 mm	15 W/m	128 pc(s).	0.276 kg
ACL ALU-PROFILE RECESSED 16X12MM L=2M	28005793	Silver	2,000 mm	20 W/m	96 pc(s).	0.332 kg
ACL ALU-PROFILE CORNER 16x18.5MM L=2M	28005794	Silver	2,000 mm	30 W/m	40 pc(s).	0.674 kg
ACL ALU-PROFILE FLEXIBLE 16X4MM L=2M	28005795	Silver	2,000 mm	15 W/m	270 pc(s).	0.118 kg

